

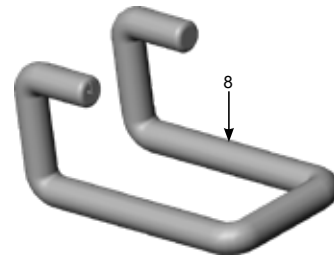
FH Series Hard Track Parts

- 5" wide pad for improved floatation
- Contractor grade, heavy-duty components
- Large 1-1/4" hardened, field replaceable bushings
- Larger traction bars for improved track-to-tire grip
- 2 built in traction bars
- Patented open side plate for excellent clean out in the pivot area
- Improved side wall design for today's heavy duty tires
- Built-in length adjustment
- Run loose design
- Self cleaning
- Reduces tire wear in abrasive conditions
- Adds counterweight
- Provides tire protection
- May be installed in 30 minutes or removed in 10 minutes
- Field serviceable
- Rebuildable
- Reduces ground pressure by as much as 50%



Item	Model #	Description	Note	Wt#
1	132FH	13.25" Pad (for 10.00 Tires)		16.38
1,2,3,4,5	132FHC	13.25" Pad Complete	A	21.44
1	147FH	14.75" Pad (for 12.00 Tires)		17.97
1,2,3,4,5	147FHC	14.75" Pad Complete	A	23.03

Item	Model #	Description	Note	Wt#
4	3959	FH Link (1 1/4" holes x 4.75" Long)	Minimum order 4	1.75
3	8864	E-F Bushing 1 1/4" (O.D.)	Minimum order 12	.20
2	8865	C,D,E,F Nut 1/2" NF GR5 center lock	Minimum order 24	.04
5	8866	C,D,E,F Carriage Bolt 1/2"x1 7/8" GR5	Minimum order 24	.15
6	1586	Standard Track Installation Tool		3.52
7	4818	Standard Strap		.55
8	4824	Hard Track Installation Bracket		1.61
9	11350	Optional Track Installation Tool		14.53



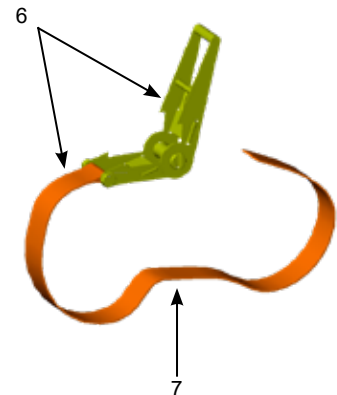
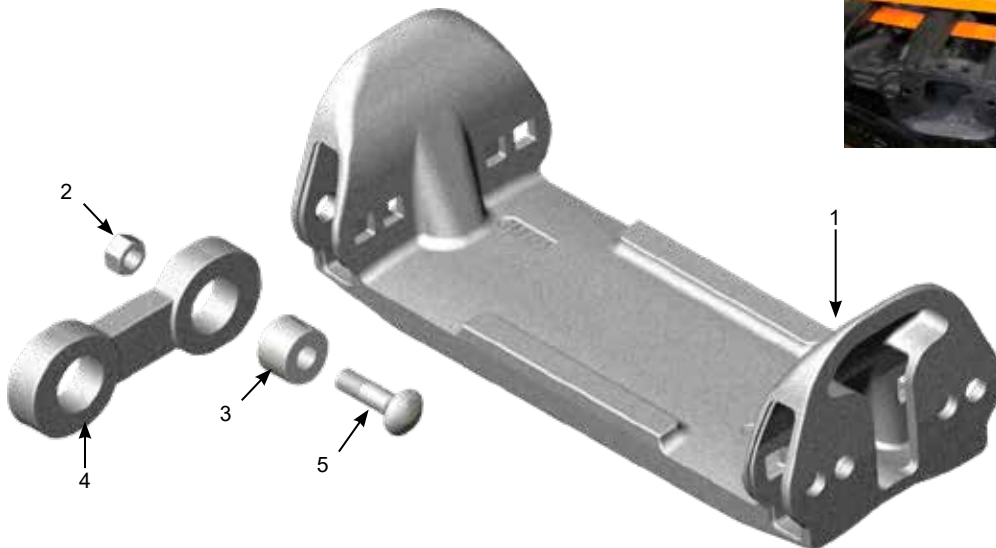
8

Notes:

A. Includes 2 Links, 4 Nuts, 4 Bolts, 4 Bushings



9



6

7