



# Agco DTb, Challenger MT600C, Massey 8600 Series - Front Support

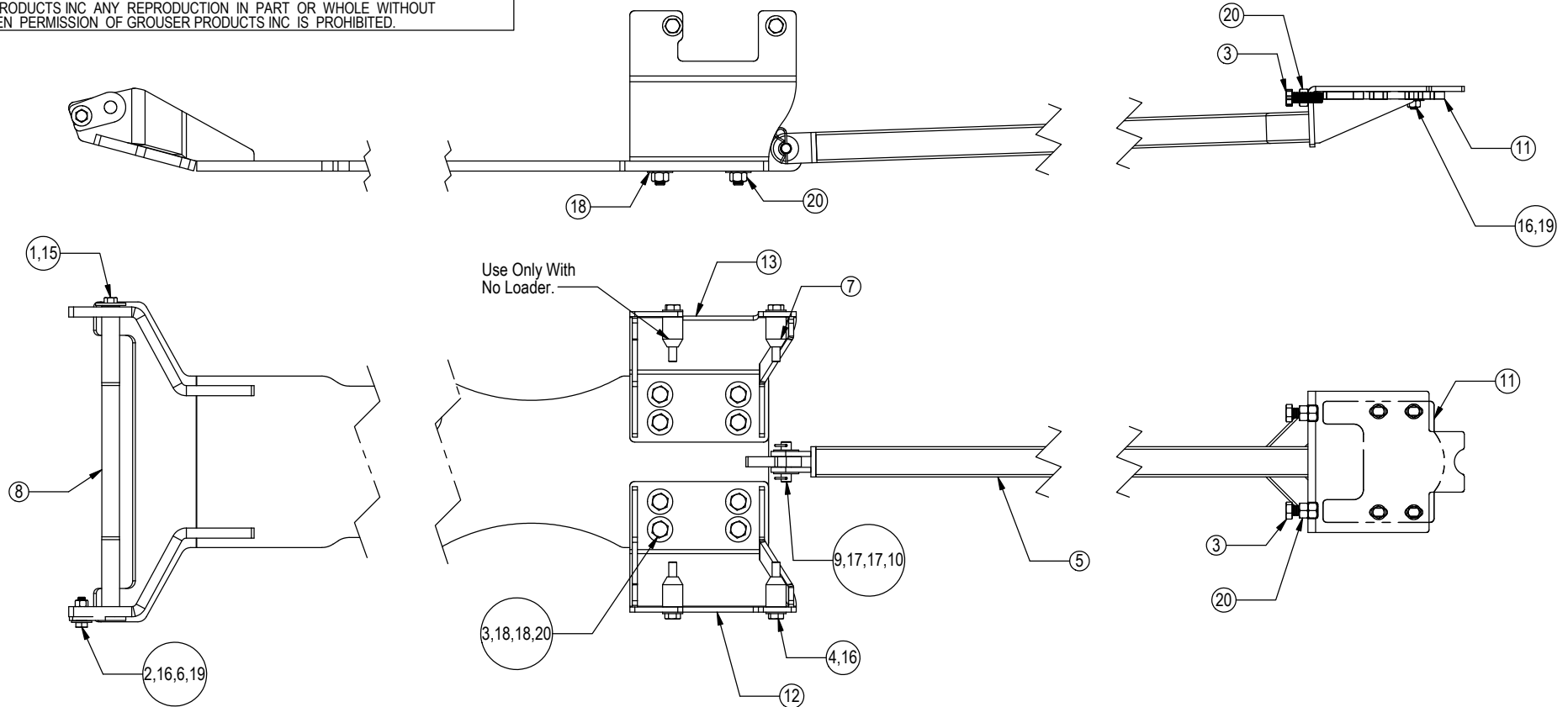
## Undercarriage Installation Instructions

### Caution:

- Always use precaution when working around any equipment.
- Always wear safety glasses.
- Follow tractor manufacturer's safety guidelines when installing this product.
  1. Read all instructions prior to installation.
  2. If tractor doesn't have the loader brackets, remove the bottom 2 plugs from the holes on each side of the tractor between the front and rear tires.
  3. If tractor does have the loader brackets, remove the bottom 2 bolts from each side.
  4. Install the left side rail (PN: 46-13885-L) with 2 - 20mm x 130mm bolts (PN: 16-2490) and a 3/4" flat washer (PN: 57-20747) on each bolt in the location that the plugs or bolts were removed in Step 2 or 3. Use a spacer (PN: 19-13899) between the rail and the tractor frame if there is no loader bracket.
  5. Install the right side rail (PN: 46-13885-R) with 2 - 20mm x 130mm bolts (PN: 16-2490) and a 3/4" flat washer (PN: 57-20747) on each bolt in the location that the plugs or bolts were removed in Step 2 or 3. Use a spacer (PN: 19-13899) between the rail and the tractor frame if there is no loader bracket. See attached diagram for clarification.
  6. Position the undercarriage (U/C) under the tractor.
  7. Support the front linkage frame and remove the pin that holds the frame to the tractor.
  8. Lift the front of the U/C.
  9. Once the ears are aligned with the ears on the tractor frame and the front linkage frame, insert the pin (PN: 43-13898).
  10. Once the pin is in place, insert a spacer (PN: 19-13515) in the open space between the legs of the pin head. Insert a 3/4" x 2-1/2" bolt (PN: 16-20220) with a 3/4" flat washer (PN: 57-20747) through the spacer and the hole on the U/C. See attached diagram for any clarification.
  11. After the bolt is in, install a 3/4" nut (PN: 70-20607) on the bolt.
  12. Install a 3/4" x 1-1/2" bolt (PN: 16-20216) with a 3/4" heavy duty washer (PN: 57-1530) at the end of the pin.
  13. Attach the rear of the U/C to the side rails with 8 - 1" bolts (PN: 16-20562), 16 - 1" flat washers (PN: 57-20819), and 8 - 1" nuts (PN: 70-20589).
  14. Torque the front 3/4" bolts to 257 ft-lbs., the 20mm bolts to 432 ft-lbs. and then the 1" bolts to 903 ft-lbs.

- 15.** Pull the drawbar out to allow room to for installing the push pole.
- 16.** Attach the push plate to the rear of the push pole with 4 - 3/4" flat washers (PN: 57-20747), and 4 - 3/4" nuts (PN: 70-20607). The round edge should be towards the open back of the push pole. Only finger tighten the nuts for now. See the attached diagram for clarification.
- 17.** Install 2 - 1" x 3" bolts (PN: 16-20562) and 2 - 1" nuts (PN: 70-20589) at the rear of the push pole where there are 2 nuts welded in place.
- 18.** Lift the rear of the push pole up so that the rear plate rests on top of the drawbar bracket.
- 19.** Lift the front of the push pole up. Attach the push pole to the undercarriage with a pin (PN: 43-16789), 2 - 1" flat washers (PN: 57-20749), and 2 - pin clips (PN: 43-7767).
- 20.** Tighten the 1" bolts to push the push plate up tight against the tractor casting. Torque the 1" bolts to 90-95 ft-lbs.
- 21.** Tighten the nuts up tight against the back plate on the push pole. Use the nuts to lock the bolts in place.
- 22.** Now, torque the 3/4" nuts to 257 ft-lbs.
- 23.** Put the drawbar in the original position.
- 24.** After the first 8 hours of use, re-torque all bolts.
- 25.** Check all fasteners regularly to ensure proper operation of equipment.

THE INFORMATION CONTAINED IN THIS DRAWING IS THE SOLE PROPERTY OF GROUSER PRODUCTS INC ANY REPRODUCTION IN PART OR WHOLE WITHOUT THE WRITTEN PERMISSION OF GROUSER PRODUCTS INC IS PROHIBITED.



Item No.	Qty.	Part No.	Description
1	1	16-20216	3/4" x 1-1/2" Hex Bolt Gr 5 NC
2	1	16-20220	3/4" x 2-1/2" Hex Bolt Gr 5 NC
3	10	16-20562	1" x 3" Hex Bolt Gr 8 NC
4	4	16-2490	20mm x 2.5mm x 130mm Metric Hex Bolt Gr 10.9
5	1	17-13895	FH-400 Agco DTb, Challenger MT600C, Massey 8600 Push Pole
6	1	19-13515	3/4" ID - Non Rotating Pin Spacer Bushing
7	4	19-13899	Spacer - Agco DTb, Challenger MT600C, Massey 8600 - No Loader
8	1	43-13898	FH- 400 Agco DTb, Challenger MT600C, Massey 8600 Pin
9	1	43-16789	1" x 4" Pin
10	2	43-7767	Hitch Pin Clip
11	1	44-13896	FH-400 Agco DTb, Challenger MT600C, Massey 8600 Push Plate
12	1	46-13885-L	FH-400 Agco DTb, Challenger MT600C, Massey 8600 - Rail Left
13	1	46-13885-R	FH-400 Agco DTb, Challenger MT600C, Massey 8600 - Rail Right
14	1	54-13890	FH-400 Agco DTb, Challenger MT600C, Massey 8600 UC
15	1	57-1530	3" OD x .75" ID x .25" HD Flat Washer
16	9	57-20747	3/4" Flat Washer
17	2	57-20749	1" Flat Washer
18	16	57-20819	1" Flat Washer Heavy Duty Gr 8 (USS)
19	5	70-20607	3/4" Hex Center Lock Nut Gr 2 NC
20	10	70-20589	1" Hex Nut Gr 5 NC

**GROUSER PRODUCTS INC.**  
 755 2nd Ave NW Phone 701.282.7710  
 West Fargo, ND 58078 Fax 701.282.8131  
 WWW.GROUSER.COM

**TITLE:** Agco DTb, Challenger MT600C, Massey 8600 Front Support Assy.

**Date:** 10/5/10 **DWG. NO.:** 13890-A