



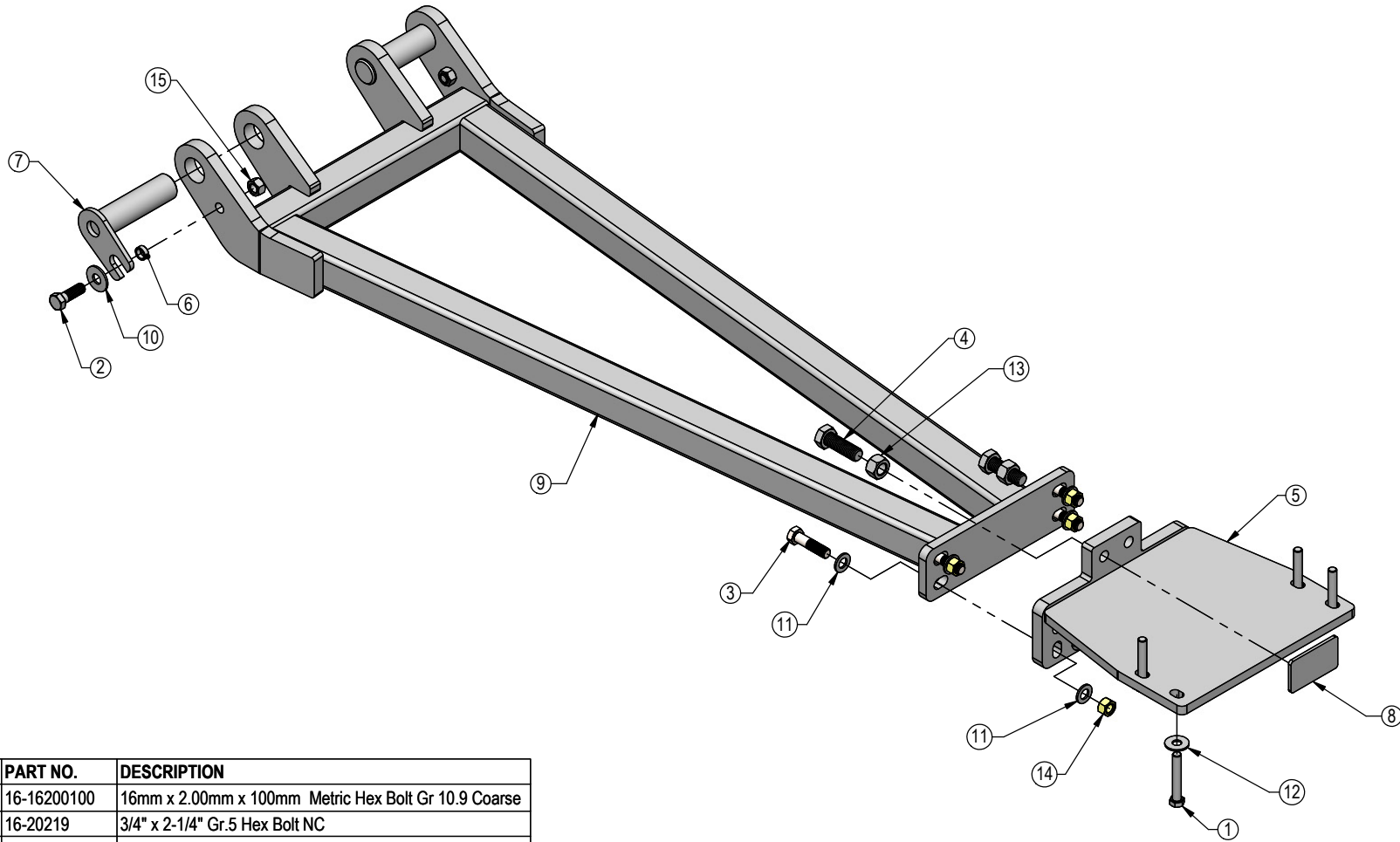
Fendt 900 Series 2

Front Support Installation Instructions

Caution:

- Always use precaution when working around any equipment.
- Always wear safety glasses.
- Follow tractor manufacturer's safety guidelines when installing this product.
 1. Read all instructions prior to installation.
 2. Attach the rear mount to the front support with 4 - 3/4" x 3" bolts, 8 - 3/4" hardened flat washers, and 4 - 3/4" center lock nuts. See attached diagram for proper orientation of the mount. Finger tighten only.
 3. Install the 1" nuts and the 1" bolts as shown in the attached drawing.
 4. Tape the push plate to the undercarriage so the 1" bolts are touching the plate. See the attached drawing for the correction location.
 5. Position the front support under the tractor with the front ears towards the front of the tractor and center with the frame of the tractor.
 6. Support the front linkage frame and remove the pins that hold the frame to the tractor.
 7. Lift the front of the front support.
 8. Once the ears are aligned with the ears on the tractor frame and the front linkage frame, insert a new pin on each side.
 9. Once the pins are in place, insert a spacer in the open space between the legs of the pin heads. Insert a 3/4" x 2-1/4" bolt with a 3/4" flat washer through each spacer and the hole on the front support ear. See attached diagram for any clarification.
 10. After the bolts are in, install a 3/4" nut on each bolt. Torque to 257 ft-lbs.
 11. Block the ends of the tank support.
 12. Remove the 16mm bolts from the tractor frame where the rear of the front support will be installed.
 13. Remove the small bolts that are in between the 16mm bolts.
 14. Lift the rear end of the U/C.
 15. Install 4 - 16mm x 100mm bolts and 4 - 5/8" flat washers in the holes of the rear plate on the rear mount. Finger tighten only.
 16. Torque the 3/4" bolts for the rear mount to 380 ft-lbs.
 17. Remove the tape from the push plate. Tighten the 1" bolts to push the push plate up tight against the tractor casting. Torque the 1" bolts to 90-95 ft-lbs.
 18. Tighten the nuts up tight against the back plate on the U/C. Use the nuts to lock the bolts in place.
 19. Torque the 16mm bolts to 200 ft-lbs.
 20. After the first 8 hours of use, re-torque all bolts.
 21. Check all fasteners regularly to ensure proper operation of equipment.

THE INFORMATION CONTAINED IN THIS DRAWING IS THE SOLE PROPERTY OF GROUSER PRODUCTS INC ANY REPRODUCTION IN PART OR WHOLE WITHOUT THE WRITTEN PERMISSION OF GROUSER PRODUCTS INC IS PROHIBITED.



ITEM NO.	QTY.	PART NO.	DESCRIPTION
1	4	16-16200100	16mm x 2.00mm x 100mm Metric Hex Bolt Gr 10.9 Coarse
2	2	16-20219	3/4" x 2-1/4" Gr.5 Hex Bolt NC
3	4	16-20512	3/4" X 3" Hex Bolt Gr 8 NC
4	2	16-20562	1" x 3" Hex Bolt Gr.8 NC
5	1	17-19205	Mount, Rear
6	2	19-13515	Spacer, NR Pin
7	2	43-13882	Pin Weld
8	1	44-13872	Plate
9	1	54-19200	Undercarriage
10	2	57-20747	3/4" Flat Washer
11	8	57-20757	3/4" Flat Washer - 1-1/2" OD
12	4	57-20816	5/8" Flat Washer Grade 8 (USS) Plated
13	2	70-20589	1" Hex Nut Gr 5 NC
14	4	70-20597	3/4" Hex Nut Gr.8 NC
15	2	70-20607	3/4" Center Lock Hex Nut NC



GROUSER PRODUCTS INC.

755 2nd Ave NW Phone 701.282.7710
 West Fargo, ND 58078 Fax 701.282.8131
 WWW.GROUSER.COM

TITLE: Fendt 900 (Series 2) UC

Date: 4/25/2017

DWG. NO.: 19200-A