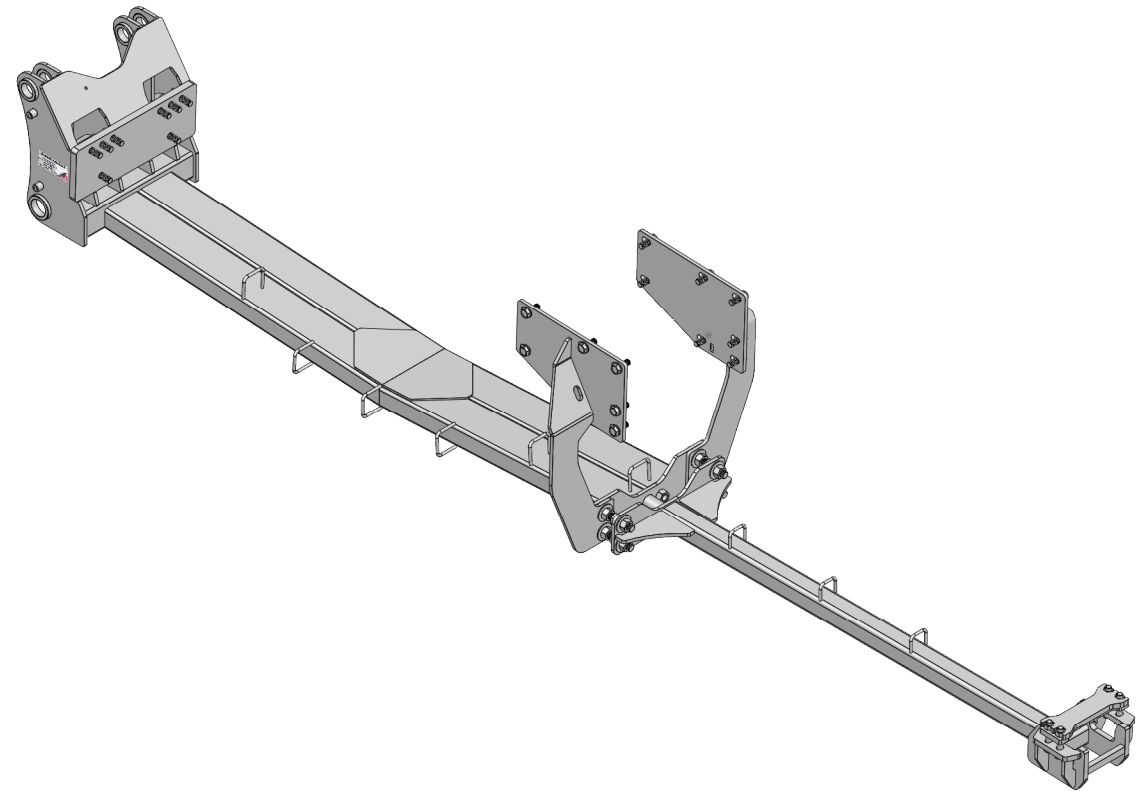




Case Magnum - Tier 4 & B Undercarriage Installation Instructions



For Models:

Case Magnum Standard Front Axle: 235, 250,
260, 280, 290, 310, 315, 340

Purchase Date
Serial Number
Model Number
Tractor Model
Dealer

To The Owner

This manual contains information concerning the installation of the undercarriage. You have purchased dependable, long lasting equipment, but only by proper care and operation can you expect to receive the performance and long service built into our products. Please have all operators read this manual carefully and keep the manual available for ready reference. If you have any questions or concerns, contact Grouser Products.

Caution:

- Always use caution when working around any equipment.
- Always wear safety glasses.
- Follow tractor manufacturer's safety guidelines when installing this product.
- Use paint where necessary to prevent rust.
- Do not modify or permit anyone else to modify or alter the equipment and its components without first consulting Grouser Products.

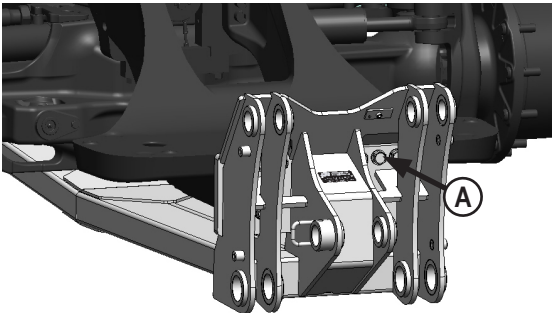
Note:

- When installing hardware, only finger tighten until all hardware is in place.
- A full diagram of the assembly with the full list of parts is on pages 4-5.
- Unstrap and remove any components that are attached for shipping.
- Read all instructions prior to performing installation.
- Tractor frame not shown in some diagrams for clarity.

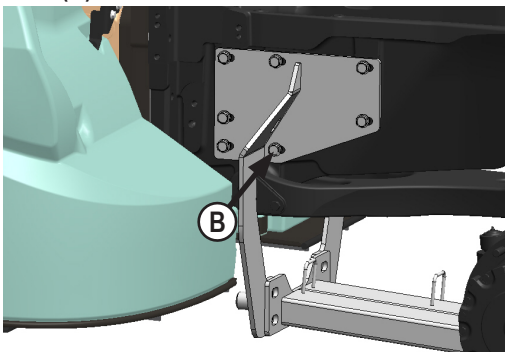
Installation

1. Remove weights and weight bracket from front of tractor if necessary.
2. Position the undercarriage under tractor and center on the frame of the tractor.

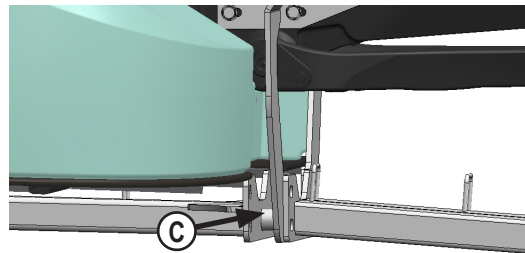
NOTE: When lifting the undercarriage, watch for any potential pinching of hoses or any other components to prevent damage.



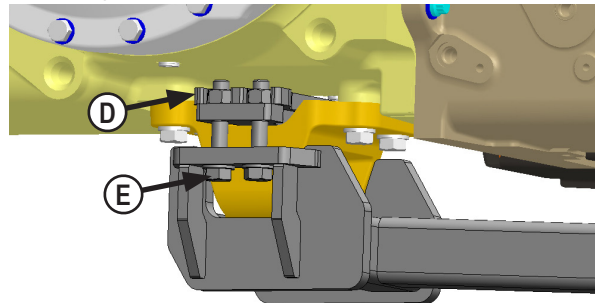
3. Lift the undercarriage and attach the front of the undercarriage to the tractor with 8 - 20mm x 70mm bolts and 8 - 3/4" flat washers (A).



4. Attach the side brackets to the tractor with 14 - 20mm x 50mm bolts and 14 - 3/4" flat washers (B).



5. Position the push pole under the tractor.
6. Slide the front of the push pole onto the rod at the end of the undercarriage (C).

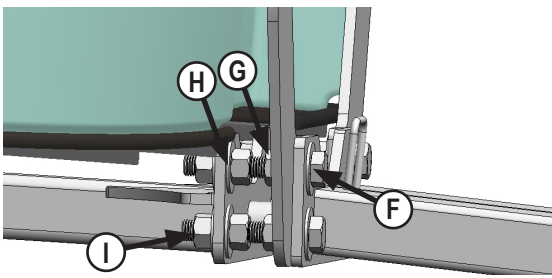


7. Place the clamp weld bracket on top of the drawbar bracket (D).

NOTE: The drawbar pin may have to be lowered to get the bracket in place. Reinstall after the bracket is in place.

8. Raise the rear of the push pole up to the drawbar bracket and attach to the clamp weld bracket with 4 - 3/4" x 4" bolts, 4 - 3/4" flat washers and 4 - 3/4" center lock nuts (E).

NOTE: Verify that the push pole is touching the front and the back of the drawbar bracket.



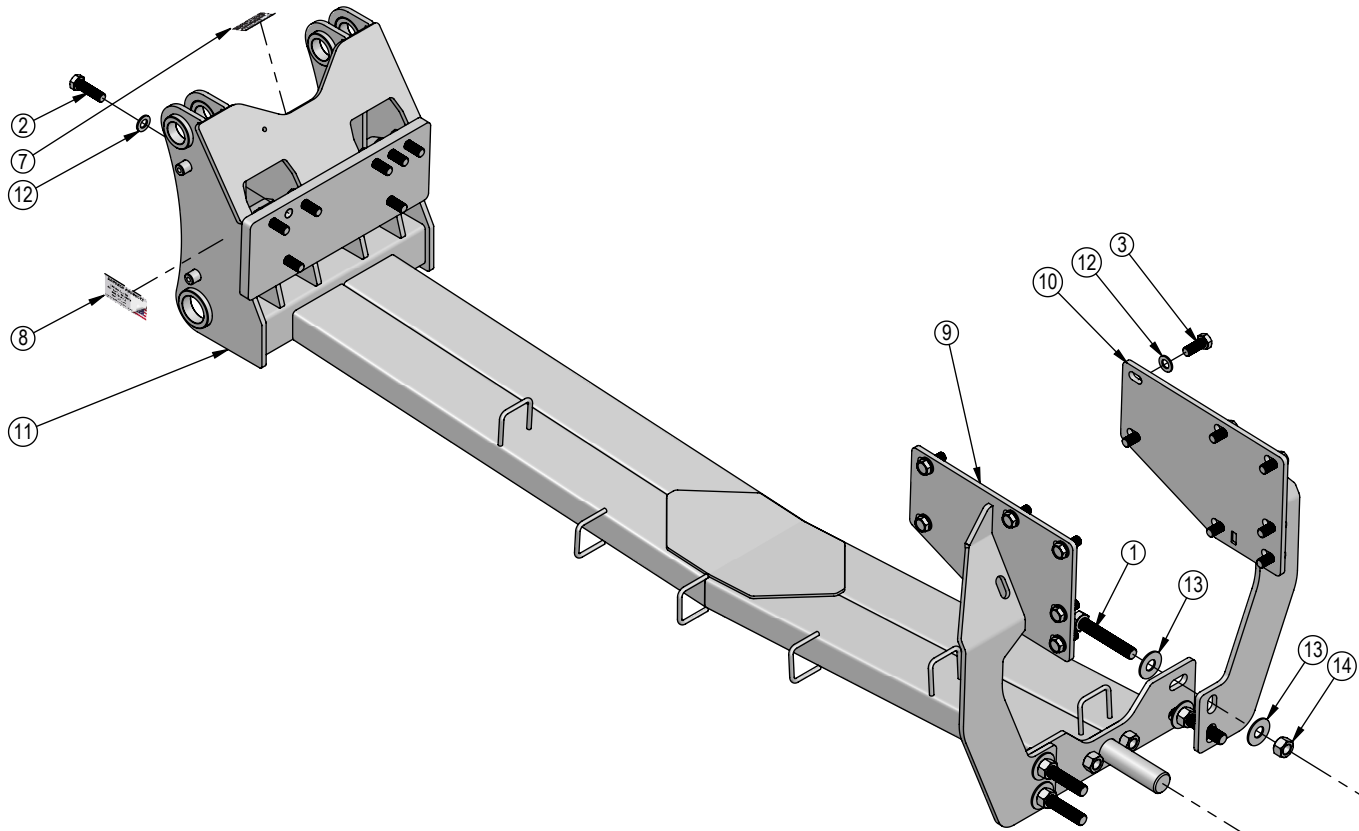
9. Install 4 - 1" x 6" bolts and 4 - 1" flat washers through the rear of the undercarriage and the side plates (F). Do Not push the bolts all the way through the push pole until the nuts are installed in the next step.
10. Install 8 - 1" flat washers and 8 - 1" nuts on the 1" bolts from Step #9. 4 of the washers should be against the side plates (G) and the other 4 washers should be against the push pole (H).
11. After the 1" bolts are through the push pole, install 4 - 1" flat washers and 4 - 1" nuts (I).
12. Torque the rear 3/4" bolts (E) to 100 ft-lbs.
13. Torque the front 20mm bolts (A) to 432 ft-lbs.
14. Torque the 1" nuts attaching the side plates to the undercarriage (G) to 909 ft-lbs.
15. Torque the side 20mm bolts (B) to 432 ft-lbs.
16. Tighten the inside 1" nuts (H) against the push pole plate. Tighten the 1" nuts 1/2 turn more.
17. Torque the outside 1" nuts (I) to 909 ft-lbs.
18. Route the hoses through the hose loops on the undercarriage and push pole to the back of the tractor.
19. Protect the hoses around sharp corners and moving objects. Use zip ties to secure the hoses in place.
20. Plug the hoses into the open SCV's at the rear of the tractor.

Assembling Lift Components

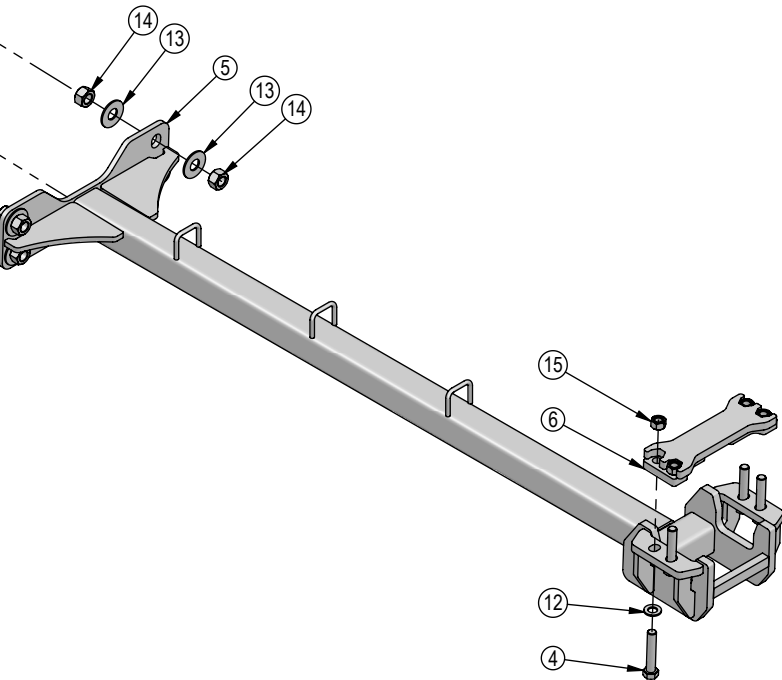
1. Refer to the Blade Owner's Manual & Parts Book for instructions on how to assemble the lift components.

Maintenance

1. After first 8 hours of use, re-torque all bolts.
2. Check all fasteners regularly to ensure proper operation of equipment.
3. Inspect all equipment for existing or potential damages every 10 hours or less.



ITEM NO.	QTY.	PART NO.	DESCRIPTION
1	4	16-17271	1" X 6" Hex Bolt Gr 8 NC (Full Thread)
2	8	16-1876	20mm x 2.5mm x 70mm Gr. 10.9 Hex Bolt
3	14	16-1878	20mm x 2.5mm x 50mm Gr. 10.9 Hex Bolt
4	4	16-20226	3/4" X 4" Hex Bolt Gr. 5 NC
5	1	17-42090	Push Pole Weld
6	1	18-42245	Clamp Weld
7	1	NA	Grouser Dozer Metal Serial Tag
8	1	27-18887	Grouser Name Plate Decal
9	1	44-14933-L	Side Plate, Left
10	1	44-14933-R	Side Plate, Right
11	1	54-18335	Case Magnum Tier 4A&B Standard Undercarriage
12	26	57-20757	3/4" Flat Washer - 1-1/2" OD
13	16	57-20819	1" Flat Washer Heavy Duty Gr 8 (USS)
14	12	70-20599	1" Hex Nut Gr 8 NC
15	4	70-20607	3/4" Center Lock Hex Nut Gr 2 NC



DWG. NO.: 42400-A

Notes

Notes

Contact Us

As always, if you have any questions about your undercarriage or other products made by Grouser, feel free to contact us.

Grouser Products

755 2nd Ave NW - West Fargo, ND 58078

Phone: 1-800-747-6182

Fax: 1-701-282-8131

E-mail: grouser@grouser.com

Website: www.grouser.com

Improvements

Grouser Products Inc. is continually striving to improve its products. We reserve the right to change prices, specification, or equipment at any time without notice. We also reserve the right to make improvements or changes when it becomes practical and possible to do so without incurring any obligation to make changes or additions to the equipment sold previously.

Warranty

Grouser Products warrants to the original purchaser of each item that the product be free from defects in material and workmanship under normal use and service for a period of two years. If such equipment is found to be defective within two years, it is the obligation of Grouser Products under this warranty to repair or replace (exclusive of the cost of labor and transportation), any equipment or parts, in the judgment of Grouser Products to be defective in material or workmanship.

All equipment or parts claimed to be defective in material or workmanship must be made available for inspection at the place of business of a dealer authorized to handle the equipment covered by this warranty, or, upon request by Grouser Products, shipped to the Grouser Products factory in West Fargo, North Dakota. Grouser Products shall have no obligation to bear the cost of labor or transportation in connection with replacement or repair of any such defective parts in the setup process.

This warranty covers only defects in material and workmanship. It does not cover depreciation or damage caused by normal wear, accident, improper assembly, improper adjustments, improper maintenance including lack of proper lubrication, or improper use. Therefore, Grouser Products liability under this warranty shall not be effective or actionable unless the equipment is assembled, maintained and operated in accordance with the operating instructions accompanying the equipment. Grouser Products shall have no liability if the equipment has been altered or reworked without the written authorization of Grouser Products.

Grouser Products' parts, which are furnished under this warranty and properly installed, shall be warranted to the same extent as the original parts under this warranty if, and only if, such parts are found to be defective within the original warranty period covering the original equipment.

