



Fendt 900 Gen6

Front 3-Point Hitch Support

Installation Instructions

For Models:

Fendt 900 Gen6:

930, 933, 936, 939, 942

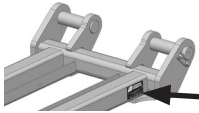
Purchase Date
Serial Number
Model Number
Tractor Model
Dealer

To The Owner

This manual contains information concerning the installation of the front support. You have purchased dependable, long lasting equipment, but only by proper care and operation can you expect to receive the performance and long service built into our products. Please have all operators read this manual carefully and keep the manual available for ready reference. If you have any questions or concerns, contact Grouser Products.

Caution:

- Always use caution when working around any equipment.
- Always wear safety glasses.
- Follow tractor manufacturer's safety guidelines when installing this product.
- Use paint where necessary to prevent rust.
- Do not modify or permit anyone else to modify or alter the equipment and its components without first consulting Grouser Products.



Serial Number Location

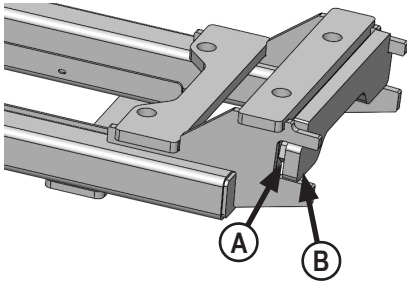
Note:

- When installing hardware, only finger tighten until all hardware is in place.
- A full diagram of the assembly with the full list of parts is on pages 4-5.
- Unstrap and remove any components that are attached for shipping.
- Read all instructions prior to performing installation.



To ensure the safety of those working under and around the machine, apply parking brake, remove key from ignition, and block tires before working on the machine.

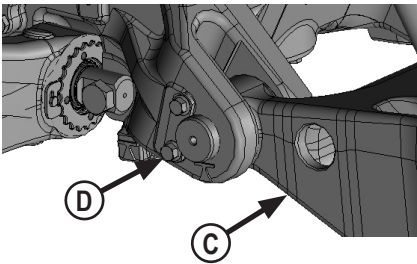
Pre-Installation



1. Install 1" x 2" bolts in threaded blocks at rear of support (A). Turn bolts all the way in for installation. The bolts will be adjusted in Step #19.
2. Install push plate as shown (B). If necessary, hold push plate in place with zip tie until rear support is installed.
3. At rear of tractor, pull drawbar out to allow room to install front support.

Installation

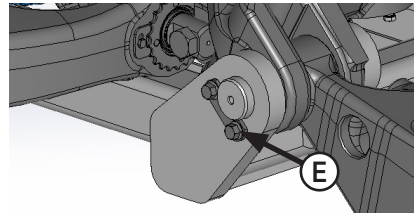
4. Center front support under tractor.



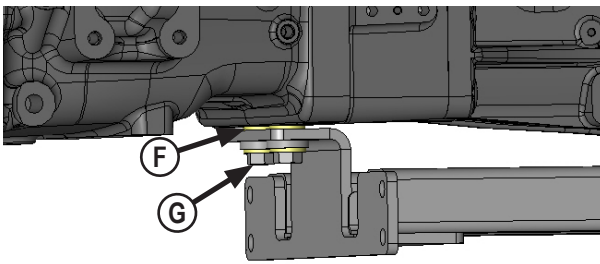
5. Support front lifting arms (C) and remove retaining hardware and pins attaching front lifting arms to tractor (D). Retaining hardware will be reused.



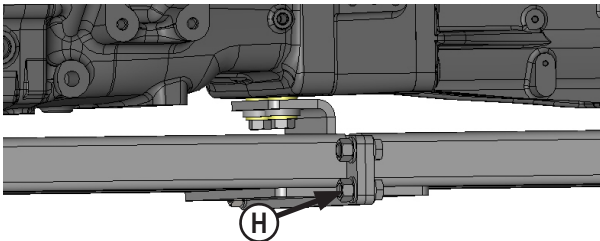
Caution: When lifting front and rear support, watch for potential pinching of hoses or other components to prevent any damage.



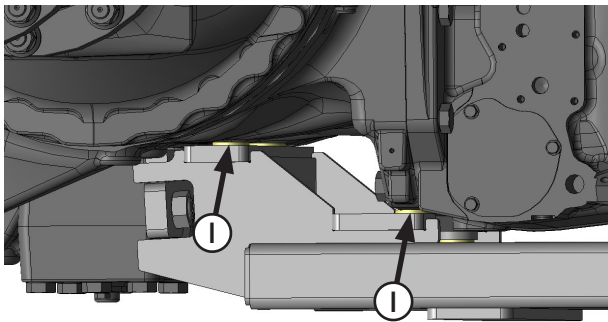
6. Raise front support until support ears line up with tractor frame ears and front lifting arms.
7. Install new pins and secure with retaining hardware removed in Step #5 (E).



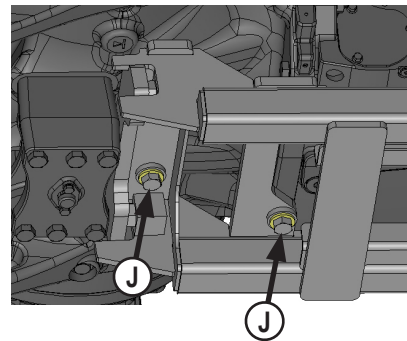
8. Raise rear of front support and install 2 - 3/4" hardened washers between front support and tractor frame at vertical bolt locations on front support (F).
9. Install 2 - 20mm x 80mm bolts, 2 - 3/4" hardened washers and 2 - 3/4" ID heavy washers in vertical bolt locations at rear of front support (G).
10. Center rear support under tractor.
11. Raise front of rear support.



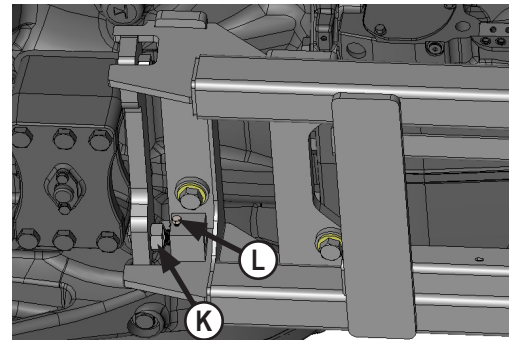
12. Attach rear support to front support with 4 - 3/4" x 2" bolts, 8 - 3/4" hardened washers and 4 - 3/4" center lock nuts (H).



13. Raise rear of rear support.
14. Install 4 - 3/4" hardened washers between rear support and tractor frame at vertical bolt locations on front support (I).



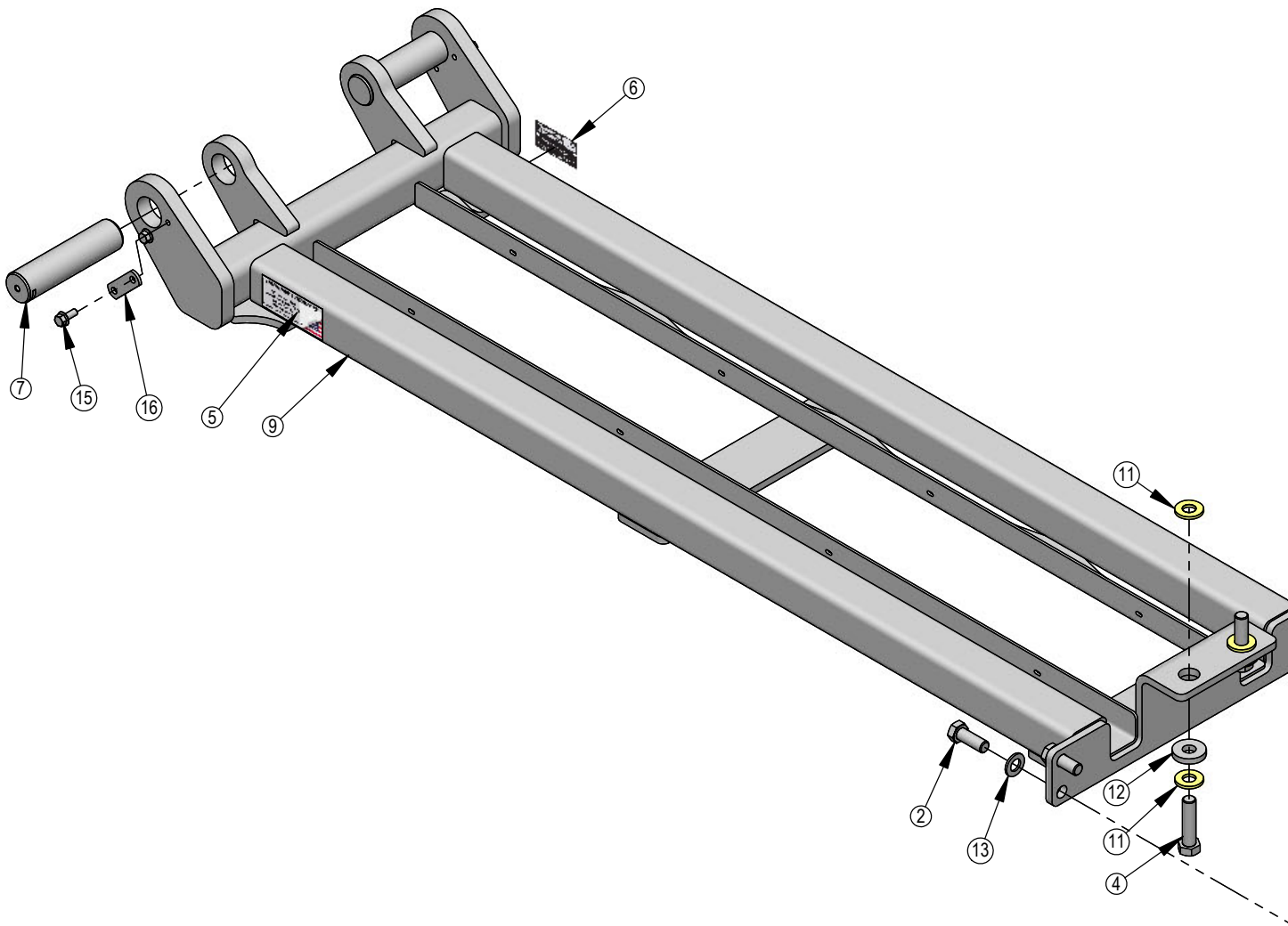
15. Install 4 - 20mm x 80mm bolts, 4 - 3/4" hardened washers and 4 - 3/4" ID heavy washers in vertical bolt locations on rear support (J).
16. Torque the 3/4" bolts (H) to 257 ft-lbs.
17. Torque front 10mm bolts (E) to 53 ft-lbs.



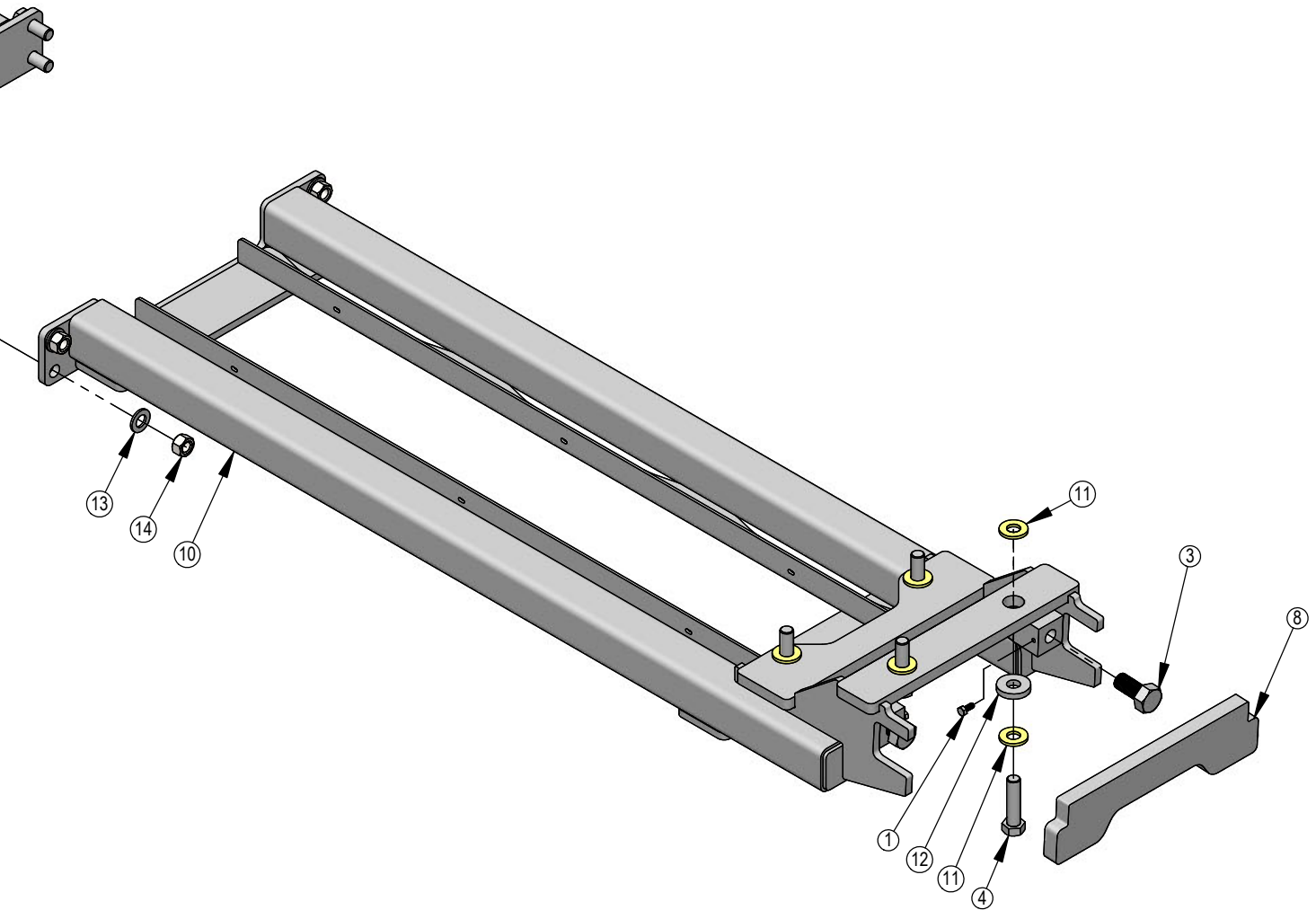
18. Remove zip tie from rear push plate.
19. Evenly unscrew 1" bolts at rear of rear support until push plate is tight against drawbar bracket (K). Torque the 1" bolts to 90-95 ft-lbs.
20. Install 2 - 5/16" x 3/4" bolts into blocks (L) at rear of rear support to lock 1" x 2" bolts. Torque the 5/16" bolts to 19 ft-lbs.
21. Torque vertical 20mm bolts (G & J) to 432 ft-lbs.
22. Reinstall drawbar.
23. **Check the steering clearance at front support ears.** The minimum clearance between the front support pin and the tire should be about 1". If necessary, purchase steering stops from your local dealership.
24. When applicable, route hoses down the channels on the front support and secure them by using zip ties in the holes on the channels.

Maintenance

1. After first 8 hours of use, re-torque all bolts.
2. Check all fasteners regularly to ensure proper operation of equipment.
3. Inspect all equipment for existing or potential damages every 10 hours or less.



ITEM NO.	QTY.	PART NO.	DESCRIPTION
1	2	16-20032	5/16" x 3/4" Hex Bolt Gr. 5
2	4	16-20218	3/4" x 2" Hex Bolt Gr.5 NC
3	2	16-20558	1" x 2" Hex Bolt Gr 8 NC
4	6	16-2488	20mm x 2.5mm x 80mm Hex Bolt Gr. 10.9
5	1	27-18887	Grouser Name Plate Decal
6	1	NA	Grouser Dozer Metal Serial Tag
7	2	43-42265	Pin
8	1	44-42373	Plate, Push
9	1	54-42500	Undercarriage Weld, Front
10	1	54-42505	Undercarriage Weld, Rear
11	12	57-19088	3/4" Hardened HD Flat Washer
12	6	57-3680	3/4" ID x 2.00 OD x .375" Heavy Washer
13	8	57-20757	3/4" Flat Washer - 1-1/2" OD
14	4	70-20607	3/4" Center Lock Hex Nut Gr 2 NC
15	4	NA	Original Tractor Hardware
16	2	NA	Original Tractor Hardware

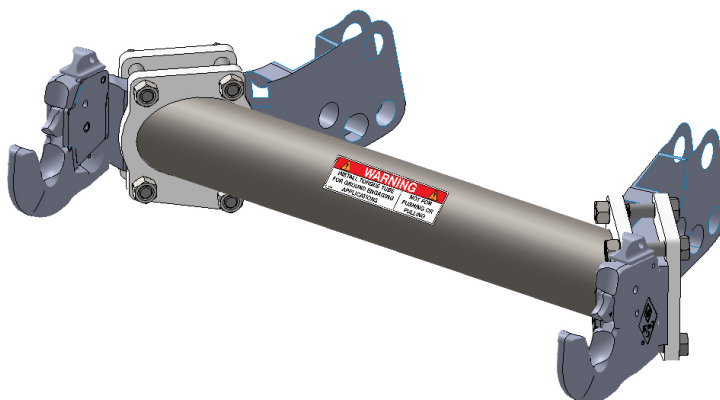


DWG. NO.: 42510-A

Torque Arm Installation Instructions

1. Set front hitch arms to fixed position. The front hitch arms cannot be in float with torque arm installed.
2. Position torque arm between front hitch arms. The longest edge of plate should be closest to tractor and angled edge on bottom. See photo below for correct orientation.
3. Support torque arm and install a bolting plate with 8 - 3/4" x 3-3-4" bolts and 8 - 3/4" nuts.
4. Once bolts are all installed, push torque arm evenly towards tractor. Keep torque arm parallel to front of tractor.
5. Torque 3/4" bolts to 100 ft-lbs.
6. After first 8 hours of use, re-torque all bolts.
7. Check all fasteners regularly to ensure proper operation of equipment.

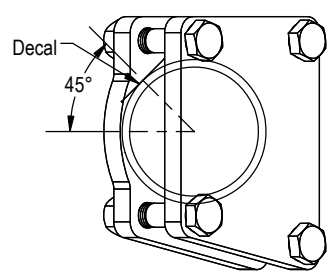
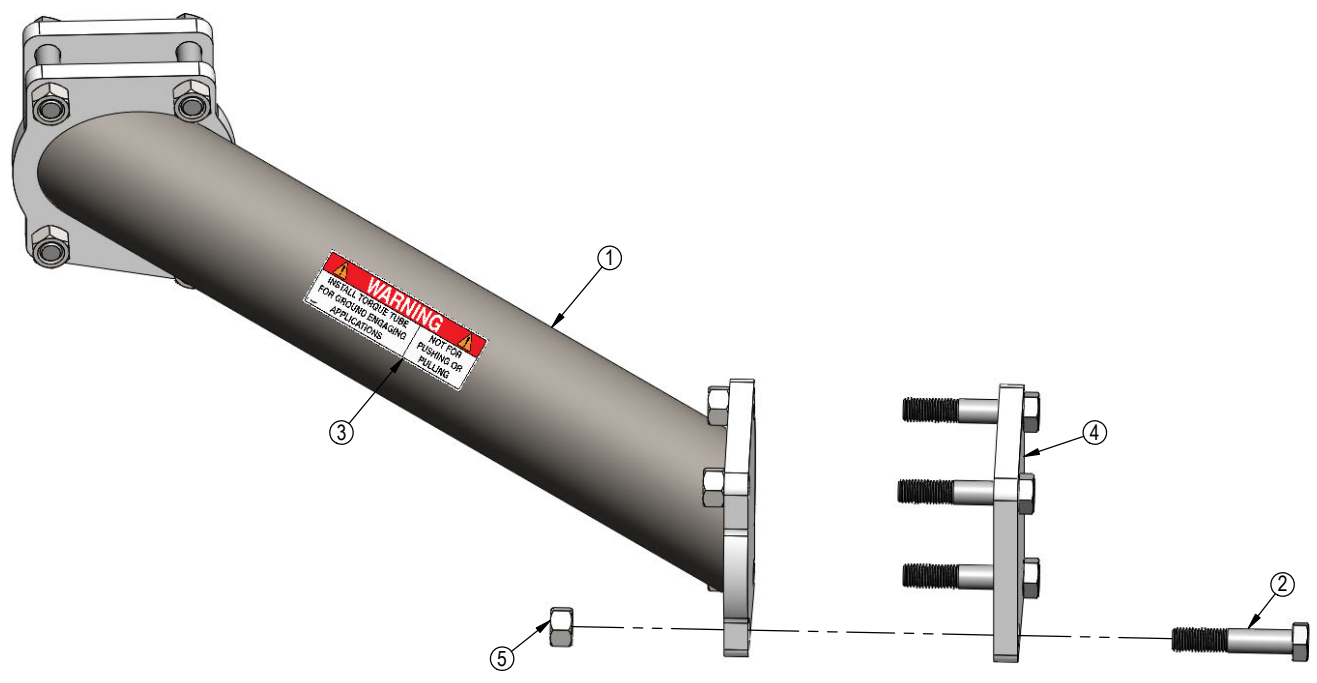
Note: Torque arm can not be installed when front PTO is in use.



Note: The style of front hitch arms may vary slightly.



ITEM NO.	QTY.	PART NO.	DESCRIPTION
1	1	11-19704	Torque Arm
2	8	16-20225	3/4" x 3-3/4" Gr.5 Hex Bolt
3	1	27-40405	Warning Decal - Torque Arm
4	2	44-19701	Plate
5	8	70-20607	3/4" Center Lock Hex Nut Gr 2 NC



Placement of Warning Decal

Improvements

Grouser Products Inc. is continually striving to improve its products. We reserve the right to change prices, specification, or equipment at any time without notice. We also reserve the right to make improvements or changes when it becomes practical and possible to do so without incurring any obligation to make changes or additions to the equipment sold previously.

Warranty

Grouser Products warrants to the original purchaser of each item that the product be free from defects in material and workmanship under normal use and service for a period of **two (2) years for Agriculture Series Blades and one (1) year for Heavy Duty Series from date of original retail delivery.**

The obligation of the consumer under this warranty:

1. To read the operators manual and to operate, lubricate, maintain and store equipment in accordance with the instructions listed in the operators manual.
2. To inspect equipment and if any part needs repair or replacement when continued use would cause damage or wear to other parts or safety.
3. All equipment or parts claimed to be defective in material or workmanship must be made available for inspection at the place of business of a dealer authorized to handle the equipment covered by this warranty, or, upon request by Grouser Products, shipped to the Grouser Products factory in West Fargo, North Dakota.

The obligation of the dealer under this warranty:

1. Complete warranty registration form and submit within 30 days of sale.
2. Contact Grouser Products for authorization prior to performing any warranty repairs or part replacement.
3. Complete warranty request form and submit with photos and supporting documentation.

The obligation of Grouser Products under this warranty:

1. Repair or replace, any equipment or parts, in the judgment of Grouser Products to be defective in material or workmanship.
2. Grouser Products will cover the cost of parts and ground shipping at dealer invoice only.
3. Grouser Products shall have no obligation to bear the cost of labor or transportation in connection with replacement or repair of any such defective parts.

This warranty does not cover:

1. Depreciation or damage caused by normal wear, accident, improper assembly, improper adjustments.
2. Improper maintenance including lack of proper lubrication, or improper use. Including loose bolts, nuts, or fitting due to over tightening or vibration after 20 hours of operation.
3. Repairs or alterations without authorization from a Grouser Products representative.
4. Grouser Products shall have no liability if the equipment has been altered or reworked without the written authorization of Grouser Products.

Grouser Products' parts, which are furnished under this warranty and properly installed, shall be warranted to the same extent as the original parts under this warranty if, and only if, such parts are found to be defective within the original warranty period covering the original equipment.

NO EMPLOYEE OR REPRESENTATIVE OF GROUSER PRODUCTS IS AUTHORIZED TO CHANGE THE WARRANTY IN ANY WAY OR GRANT ANY OTHER WARRANTY.

Contact Us

As always, if you have any questions about your system or other products made by Grouser, feel free to contact us.



755 2nd Ave NW - West Fargo, ND 58078
+1 701-282-7710 | info@grouser.com
www.grouser.com