



# 760 Owner's Manual & Parts Book

Purchase Date
Serial Number
Model Number
Tractor Model
Dealer

# Contents

---

---

Description	Page
To The Owner & Maintenance _____	2
Safety Precautions & Torque Specifications _____	3
Skid Shoe and Tilt Plate Adjustment _____	4
Blade Assemblies _____	5
Hydraulic Instructions & Angle System & 2-Lever Angle System Operating Instructions _____	6
Relief Valve Instructions _____	6-7
Hydraulic Angle - Hydraulic Tilt _____	8
Hydraulic Angle and Tilt Hose Routing _____	9
Hydraulic Angle - No Tilt _____	10
Hydraulic Angle - No Tilt Hose Routing _____	11
Hydraulic Angle 2-Lever System _____	12
Angle Hydraulic Components and Quick Attach _____	13
No Angle - Hydraulic Tilt & Hose Routing _____	14
No Angle - No Tilt _____	15
Lift System & Hydraulic Components _____	16
Wiring Harness and Electrical System _____	17
Hydraulic Schematic & 2-Lever Hydraulic Schematic _____	18-19
Contact Us, Improvements, & Warranty _____	20

---

---

## To The Owner

This manual contains information concerning the operation, adjustment, and maintenance of the 760 blade assembly. You have purchased dependable, long lasting equipment, but only by proper care and operation can you expect to receive the performance and long service built into our products. Please have all operators read this manual carefully and keep the manual available for ready reference. If you have any questions or concerns, contact Grouser Products.

---

---

## Maintenance

**Due to the harsh environment many of our equipment operates in, the following tasks should be performed every 10 hours or less.**

- Inspect all equipment before operation for existing or potential damages.
- Lubricate all joints with high quality grease.
- Inspect and tighten all bolts to torque specifications on page 3.
- Check replaceable cutting edge for wear ensuring there is enough material to prevent permanent damage to the blade.
- Make sure all non-rotating pins are secured properly.
- Check hydraulic cylinders and hoses for damage or leaks. For replacement parts, see pages 9, 11, 12, 13, 14 or 16 for your specific system.
- Check skid shoes for wear and replace if necessary. For adjustment, see page 4.
- Inspect all tilt-ways for aggressive wear. See page 4 for tilt plate adjustment.

# Safety Precautions

A careful operator is the best operator. Most accidents can be avoided by observing certain precautions. To help prevent accidents, read and take the following precautions before operating this equipment. In addition to these precautions, please follow all safety and operational instructions of your tractor manufacturer.

## The Dozer:

1. The 760 Dozer should be operated only by those who are responsible and instructed to do so.
2. Read the owner's manual carefully before using this equipment. Lack of operating knowledge can lead to accidents.
3. Keep the dozer maintained in reliable and satisfactory condition to ensure your safety.
4. Make sure the area is clear of people before moving any equipment.
5. Do not modify or permit anyone else to modify or alter the equipment and its components without first consulting Grouser Products or a Grouser dealer.

## Servicing the Dozer:

1. Read and follow all safety instructions provided by the tractor manufacturer.
2. Always use proper personal safety gear when performing maintenance on equipment.
3. Before servicing, relieve hydraulic pressure, stop engine and fully engage parking brake.
4. Escaping hydraulic fluid under pressure can penetrate skin causing serious injury. If fluid is injected into skin, obtain medical attention immediately.
  - DO NOT use your hand to check for leaks. Use a piece of cardboard or paper to search for leaks.
  - Stop the engine and relieve pressure before connecting or disconnecting lines.
  - Tighten all connections before starting the engine or pressurizing lines.

## Storing the Dozer:

1. Thoroughly clean the dozer before storage. Use paint where necessary to prevent rust.
2. Check the dozer for worn or damaged parts. Install new parts as required.
3. Lubricate all pins and joints.

# Torque Specifications

All bolts should be tightened to specifications set by the manufacturer or previously stated amounts. If neither of these can be found the following torque chart should be used.

Size	Torque (ft-lbs)			
	SAE Grade 5		SAE Grade 8	
	UNC	UNF	UNC	UNF
5/16	17	19	24	27
3/8	30	35	45	50
7/16	50	55	70	80
1/2	75	85	110	120
9/16	110	120	150	170
5/8	150	170	210	240
3/4	260	300	380	420
7/8	430	470	600	670
1	640	720	910	1020

Size	Torque (ft-lbs)	
	Grade 8.8	Grade 10.9
M18 x 2.50	202	284
M20 x 2.50	286	401
M22 x 2.50	388	547
M24 x 3.00	493	694

# Skid Shoe and Tilt Plate Adjustment

## Skid Shoe Adjustment:

1. Raise and secure blade to access skid shoe bolts and nuts.
2. Loosen nuts and set skid shoe depth by sliding the shoe back and forth in direction 'A' shown in Figure 1.
3. Once the depth is set, tighten bolts to 150 ft-lbs.
4. When skid shoes are worn down, replace with new skid shoes.

## Tilt Plate Adjustment:

1. Remove bolts and tilt plates.

Note: Don't remove all of the bolts at the same time.

2. Add or remove washers as needed to adjust tilt-way clearance to have  $1/16''$  -  $1/8''$  of clearance in direction 'B' shown in Figure 1.
3. Once the tilt-way clearance is set, tighten bolts to 640 ft-lbs.

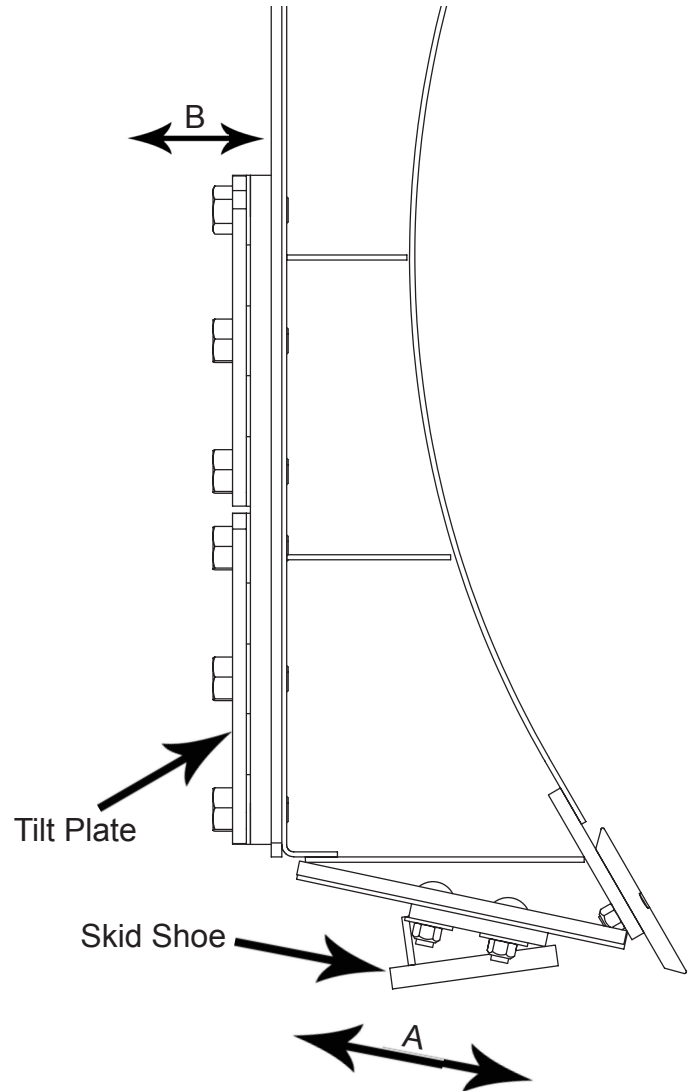


Figure 1

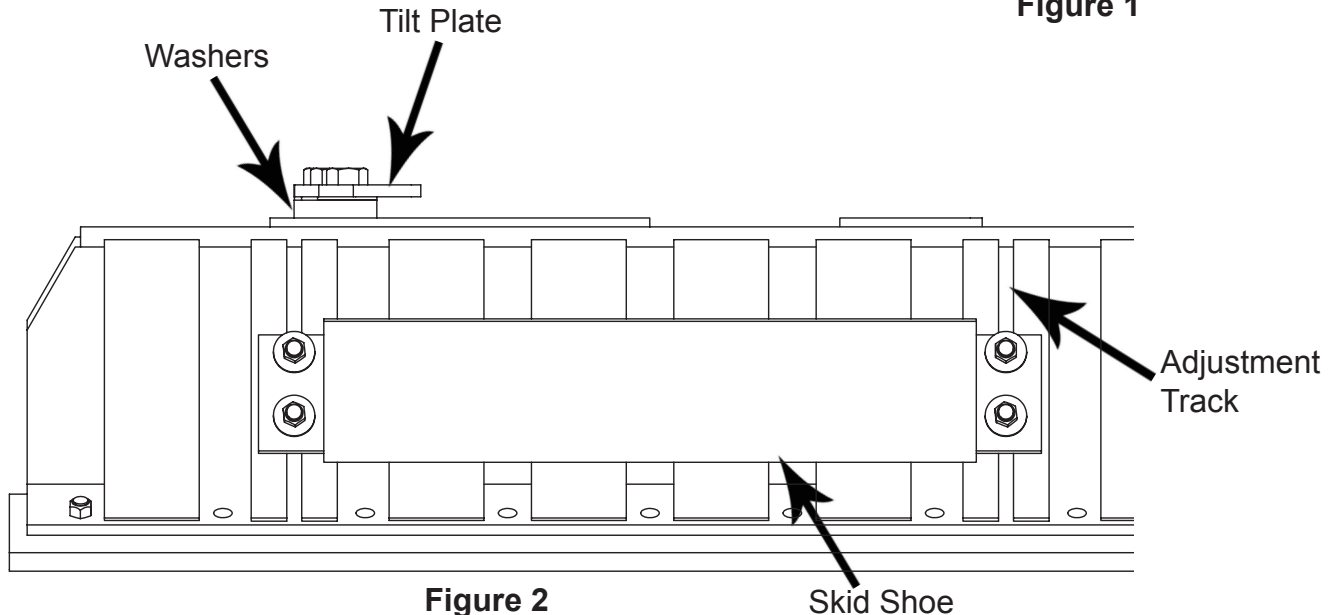


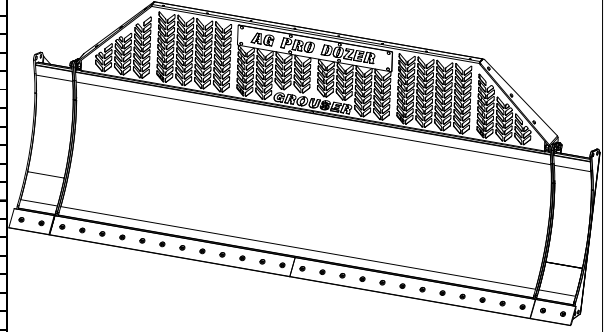
Figure 2

Skid Shoe

THE INFORMATION CONTAINED IN THIS DRAWING IS THE SOLE PROPERTY OF GROUSER PRODUCTS INC. ANY REPRODUCTION IN PART OR WHOLE WITHOUT THE WRITTEN PERMISSION OF GROUSER PRODUCTS INC. IS PROHIBITED.

# Blade Assembly

Item No.	Part No.	Description	Blade Length				
			12'	14'	16'	18'	20'
			Qty.	Qty.	Qty.	Qty.	Qty.
1	15-13970-12	AG Pro Blade 12' - Slant Top	1				
1	15-13970-14	AG Pro Blade 14' - Slant Top		1			
1	15-13970-16	AG Pro Blade 16' - Slant Top			1		
1	15-13970-18	AG Pro Blade 18' - Slant Top				1	
1	15-13970-20	AG Pro Blade 20' - Slant Top					1
2	15-14730-12	12" x 24" Bolt on Top Extension - Slant Top	1				
2	15-14730-14	14" x 24" Bolt on Top Extension - Slant Top		1			
2	15-14730-16	16" x 24" Bolt on Top Extension - Slant Top			1		
2	15-14730-18	18" x 24" Bolt on Top Extension - Slant Top				1	
2	15-14730-20	20" x 24" Bolt on Top Extension - Slant Top					1
3	16-20538	7/8" x 2" Hex Bolt Gr 8 NC	14	14	18	18	22
4	16-20558	1" x 2" Hex Bolt Gr 8 NC	3	3	3	3	3
5	16-20562	1" x 3" Hex Bolt Gr 8 NC	12	12	12	12	12
6	16-21064	3/8" x 1" Carga Bolt Gr 5 NC	8	8	8	8	8
7	16-21188	5/8" x 2" Carga Bolt Gr 5 NC	8	8	8	8	8
8	16-21666	5/8" x 1-3/4" Plow Bolt Gr 5 NC	24	28	32	36	40
9	19-7774	1" x 1" Spring Bushing	2	2	2	2	2
10	29-7950-6	6" - 5/8" x 6" Double Bevel Cutting Edge	2			3	2
10	29-7950-7	7" - 5/8" x 6" Double Bevel Cutting Edge		2			
10	29-7950-8	8" - 5/8" x 6" Double Bevel Cutting Edge			2		1
11	44-3749	Backdrag Brace Plate	1	1	1	1	1
12A	44-14830	Custom Name Plate	1	1	1	1	1
12B	44-15150	AG Pro Name Plate	1	1	1	1	1
13	50-8725	Skid Shoe 33"	2	2	2	2	2
14	52-8204	Tilt Plate	4	4	4	4	4
15	57-20749	1" Flat Washer	12	12	12	12	12
16	57-20816	5/8" Flat Washer Grade 8 (USS)	8	8	8	8	8
17	57-20818	7/8" Flat Washer Heavy Duty Grade 8 (USS)	28	28	36	36	44
18	70-20598	7/8" Hex Nut Gr 8 NC	14	14	18	18	22
19	70-20646	5/8" Hex Top Lock Nut Gr 5 NC	32	36	40	44	48
20	70-20622	3/8" Flange Nut	8	8	8	8	8



Item No.	Part No.	Description	End Extension Length	
			1'	2'
			Qty.	Qty.
21	15-13990-1-L	Slant Top 1' End Extension cmb - Left	1	
22	15-13990-1-R	Slant Top 1' End Extension cmb - Right	1	
23	15-13990-2-L	Slant Top 2' End Extension cmb - Left		1
24	15-13990-2-R	Slant Top 2' End Extension cmb - Right		1
25	16-20540	7/8" x 2-1/2" Hex Bolt Gr 8 NC	12	12
26	16-20542	7/8" x 3" Hex Bolt Gr 8 NC	4	4
27	16-21666	5/8" x 1-3/4" Plow Bolt Gr 5 NC	4	8
28	29-7950-1	1" - 6" Cutting Edge	2	
29	29-7950-2	2" - 6" Cutting Edge		2
30	57-20816	5/8" Flat Washer Gr 8 (USS)	4	8
31	57-20818	7/8" Flat Washer Heavy Duty Gr 8 (USS)	20	20
32	70-20598	7/8" Hex Nut Gr 8 NC	16	16
33	70-20646	5/8" Hex Top Lock Nut Gr 5 NC	4	8

Item #A for Custom Name Plates and Item #B for AG Pro Name Plate



## GROUSER PRODUCTS INC.

755 2nd Ave NW Phone 701.282.7710  
West Fargo, ND 58078 Fax 701.282.8131  
WWW.GROUSER.COM

TITLE:

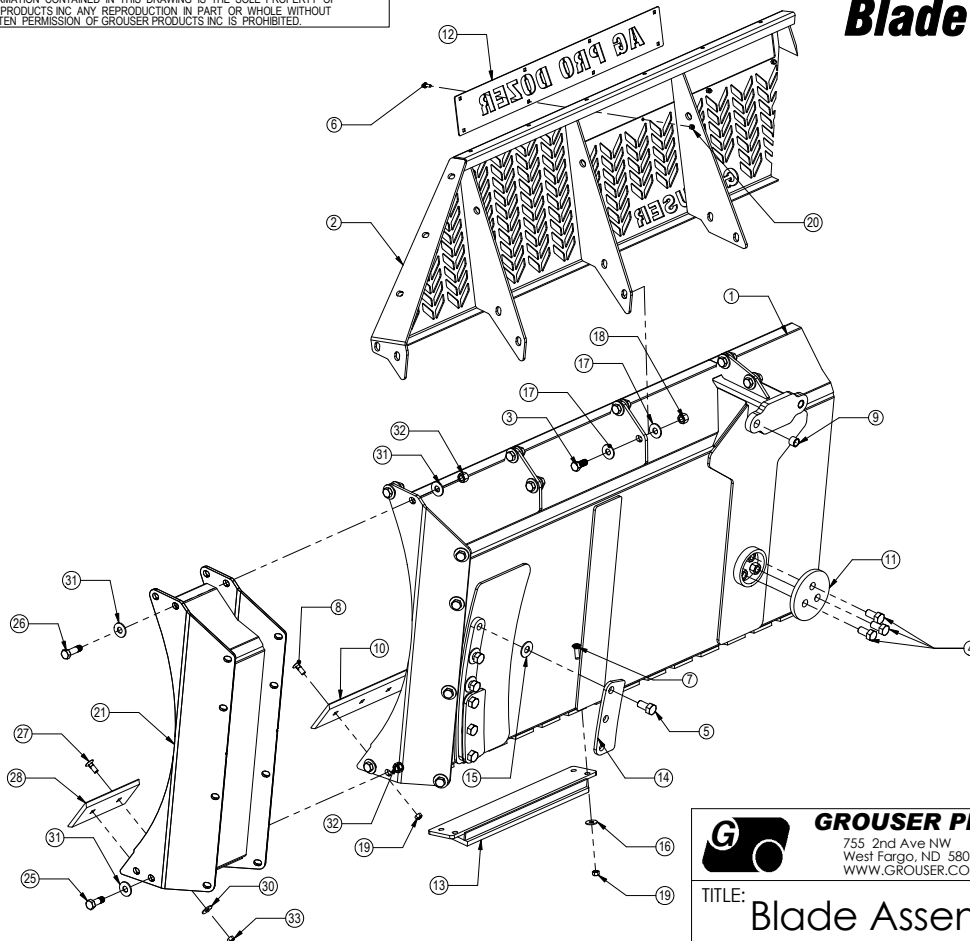
Blade Assembly

Date:

3-27-2011

THE INFORMATION CONTAINED IN THIS DRAWING IS THE SOLE PROPERTY OF GROUSER PRODUCTS INC. ANY REPRODUCTION IN PART OR WHOLE WITHOUT THE WRITTEN PERMISSION OF GROUSER PRODUCTS INC. IS PROHIBITED.

# Blade Assembly



Item #22, 23 & 24 are not shown.



## GROUSER PRODUCTS INC.

755 2nd Ave NW Phone 701.282.7710  
West Fargo, ND 58078 Fax 701.282.8131  
WWW.GROUSER.COM

TITLE:

Blade Assembly

Date:

3/27/2011

# Hydraulic Instructions

---

---

Prior to operating the blade, bleed all air out of the hydraulic system. Start with the furthest location away from the remote until all air is out.

## Hydraulic Angle System Operating Instructions

---

---

If your Grouser blade was purchased with the Hydraulic Angle Option, you will have the ability to angle the blade 30 degrees left or right. To achieve these angles, the two cylinders are designed to operate independently of each other through an electric diverter valve. To angle the blade to the left, actuate the tractor hydraulic control lever in the cab with the diverter valve un-powered. To angle the blade to the right, apply power to the diverter valve and then actuate the tractor hydraulic control lever.

## 2-Lever Angle System Operating Instructions

---

---

If your Grouser blade was purchased with the 2-Lever Hydraulic Angle Option, you will have the ability to angle the blade 30 degrees left or right. To achieve these angles, the two cylinders are designed to operate independently of each other with the use of 2 tractor hydraulic control levers and a safety relief valve. To angle the blade to the left or right, actuate the tractor hydraulic control lever corresponding to the left or right cylinder.

The safety relief valve allows the cylinder to retract if its internal pressure exceeds 2,000 psi. With this safety feature in place, when either cylinder reaches the end of its stroke, the safety relief valve will reroute pressure to the opposite cylinder causing it to extend. Refer to the Relief Valve Instructions below for possible adjustments.

## Relief Valve Instructions

---

---

**Set the safety relief valve at a higher pressure than tractor:** To increase the pressure of the relief valve, install a 0-5,000 psi pressure gauge into the base end of right angle cylinder (see page 26). Loosen the jam nut on the safety valve and tighten the Allen screw 1/2 turn. Next, extend the right side cylinder out until the safety valve activates, while the safety valve is in function, record the pressure reading on the gauge. Continue to tighten the Allen screw in 1/2 turn increments and record the pressure until a high enough relief setting is obtained. **Do not exceed the 3,000-psi operating pressure of the cylinders.** Tighten the jam nut and remove the gauge.

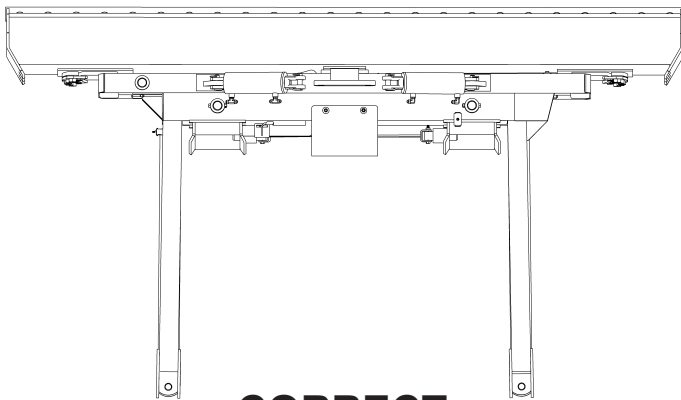
**Automatic lever release:** In certain newer model tractors, the hydraulic control lever will automatically release and instantly stop oil flow once the end of the stroke is reached.

(Continued on next page)

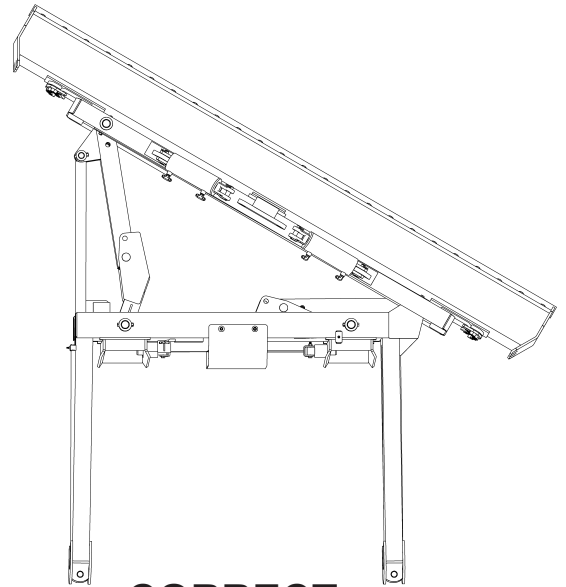
**CAUTION: Do not bypass the safety relief valve and plumb each cylinder to separate valves on the tractor.**

To ensure proper use and life of equipment, it is recommended to have both cylinders closed for straight ahead dozing and only one cylinder partially or fully extended for angled dozing as shown in the diagrams below. **If the angle system is not used correctly, frame damage may occur.** Some damaged frames can be repaired, please contact Grouser Products for repair instructions if needed.

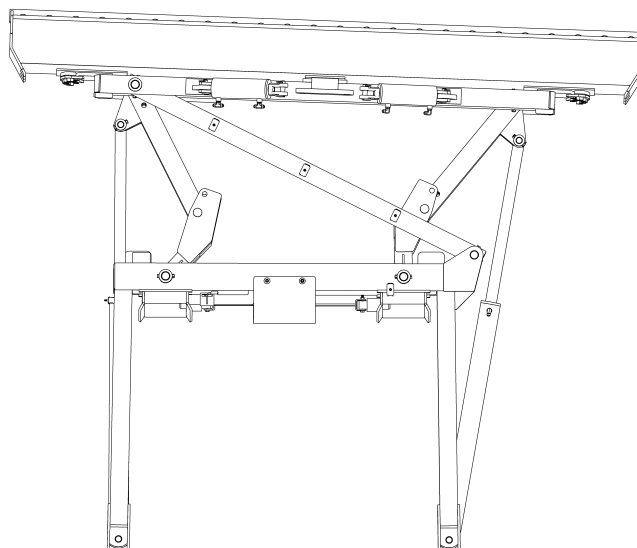
**Please contact Grouser Products with any questions by:**  
Phone - 701-282-7710 or 800-747-6182; Fax - 701-282-8131



**CORRECT**



**CORRECT**  
(Left or Right)



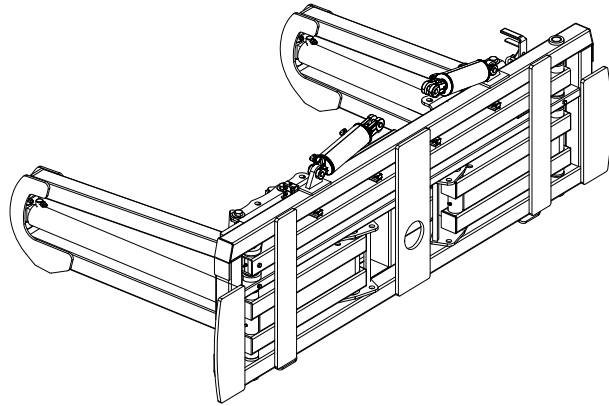
**INCORRECT**

THE INFORMATION CONTAINED IN THIS DRAWING IS THE SOLE PROPERTY OF GROUSER PRODUCTS INC. ANY REPRODUCTION IN PART OR WHOLE WITHOUT THE WRITTEN PERMISSION OF GROUSER PRODUCTS INC. IS PROHIBITED.

# Hydraulic Angle - Hydraulic Tilt

To avoid frame damage, please read Hydraulic Angle System Operating Instructions (pages 6-7) before use!

Item No.	Qty.	Part No.	Description
1	1	11-5055	450, 660 & 760 Stabilizer Arm
2	1	11-8082	Angle Arm Right
3	1	11-9039	Angle Arm Left
4*	2	13-12294	Cast Rod End Clevis (490168)
5	5	16-20036	5/16" x 1-1/2" Hex Bolt Gr 5 NC
6	2	16-20043	5/16" x 3-1/4" Hex Bolt Gr 5 NC
7	4	16-20132	1/2" x 3" Hex Bolt Gr 5 NC
8	2	16-20424	1/2" x 3-1/2" Hex Bolt Gr 8 NC
9	3	16-20427	1/2" x 4-1/2" Hex Bolt Gr 8 NC
10	4	16-35C612	3/8" x 3/4" Flanged Bolt
11	8	18-3074	Hose Hold Down Clamp
12	8	18-3075	Hose Hold Down Clamp Plate
13	4	19-13577	NR Pin Spacer Clevis End
14	2	19-7774	1"x1" Spring Bushing (125100100)
15	2	26-34711	4x8 Cylinder w/ clevis ends (647134)
16	2	26-34725	4x43.5 Cylinder w/ tube ends -Top Port (647196)
17	1	32-14700	450, 660 & 760 Bolt on QA Angle Frame
18	1	32-14760	450, 660 & 760 Tilt Frame
19	4	43-13580	1" Clevis Bolt In Pin
20	1	43-8130	1-15/16" x 23-1/4" Pin (Tilt Frame / Angle Arm Right)
21	2	43-8131	1-15/16" x 31" Pin (Angle Frame/ Angle Arm)
22	1	43-8132	1-15/16" x 35-1/2" Pin (Tilt Frame / Angle Arm Left)
23	1	43-8133	1-15/16" x 7-1/8" Stabilizer Arm Pin
24	2	43-8134	1-1/2" x 8" Angle Cylinder Pin Base End
25	2	43-9352	1-1/2" x 7-1/2" Angle Cylinder Pin
26	2	58-9371	Grease Zerk 1/8" NPT 45°
27	6	58-9372	Grease Zerk 1/8" NPT 90°
28	1	70-20581	5/16" Hex Nut Gr 5 NC
29	9	70-20604	1/2" Hex Center Lock Nut Gr 5 NC

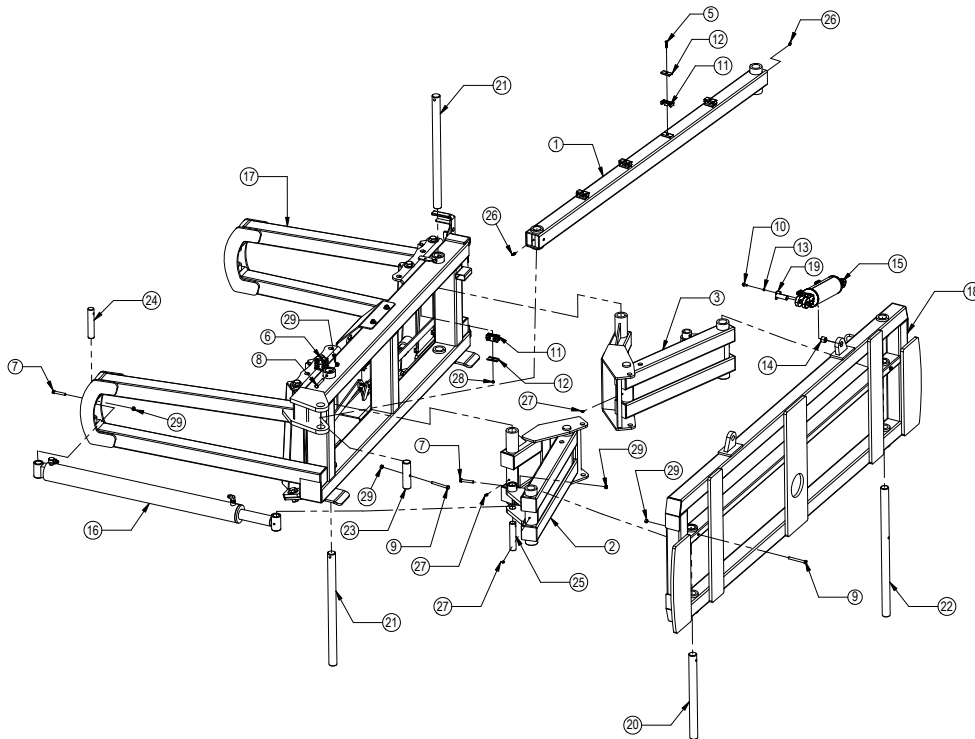


Refer to Page 9 & 13 for hydraulic components and hoses.  
 Refer to Page 13 for Quick Attach Lever System Assembly.  
 \* Parts not shown.

	<b>GROUSER PRODUCTS INC.</b>	
	755 2nd Ave NW Phone 701.282.7710 West Fargo, ND 58078 Fax 701.282.8131 WWW.GROUSER.COM	
TITLE: Hydraulic Angle - Hydraulic Tilt		Date: 2-15-2011

THE INFORMATION CONTAINED IN THIS DRAWING IS THE SOLE PROPERTY OF GROUSER PRODUCTS INC. ANY REPRODUCTION IN PART OR WHOLE WITHOUT THE WRITTEN PERMISSION OF GROUSER PRODUCTS INC. IS PROHIBITED.

# Hydraulic Angle - Hydraulic Tilt



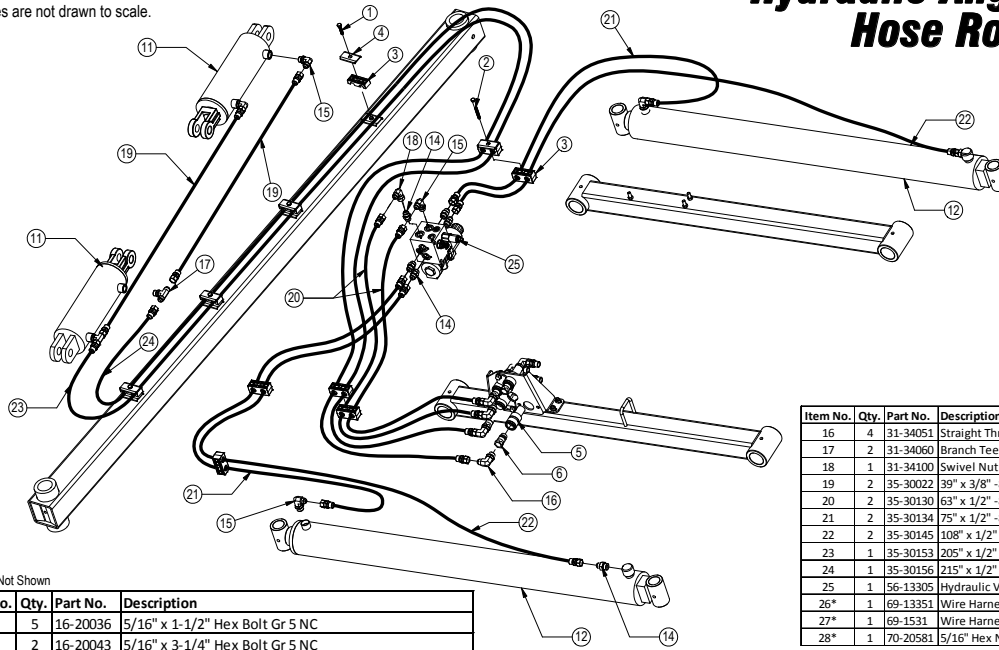
	<b>GROUSER PRODUCTS INC.</b>	
	755 2nd Ave NW Phone 701.282.7710 West Fargo, ND 58078 Fax 701.282.8131 WWW.GROUSER.COM	
TITLE: Hydraulic Angle - Hydraulic Tilt		Date: 2-15-2011



THE INFORMATION CONTAINED IN THIS DRAWING IS THE SOLE PROPERTY OF GROUSER PRODUCTS INC. ANY REPRODUCTION IN PART OR WHOLE WITHOUT THE WRITTEN PERMISSION OF GROUSER PRODUCTS INC IS PROHIBITED.

# Hydraulic Angle and Tilt Hose Routing

Hoses are not drawn to scale.



\* Parts Not Shown

Item No.	Qty.	Part No.	Description
1	5	16-20036	5/16" x 1-1/2" Hex Bolt Gr 5 NC
2	2	16-20043	5/16" x 3-1/4" Hex Bolt Gr 5 NC
3	8	18-3074	Hose Hold Down Clamp
4	8	18-3075	Hose Hold Down Clamp Plate
5	4	25-34321	Tappet Quick Coupler Female
6	4	25-34322	Tappet Quick Coupler Male
7*	2	25-3453	Pioneer Dust Plug Tilt (Green)
8*	2	25-3454	Pioneer Dust Plug Tilt (Green)
9*	2	25-3455	Pioneer Dust Cap Angle (Red)
10*	2	25-3456	Pioneer Dust Cap Angle (Red)
11	2	26-34711	4 x 8 Cylinder with Cast Clevis Ends
12	2	26-34725	4 x 43.5 Cylinder Tube Ends, Top Port
13*	1	31-13332	-6 SAE Breather Fitting
14	7	31-34040	Straight JIC x O-Ring (6400-8-8)
15	5	31-34050	Straight Thread Elbow 90° JIC x O-Ring (6801-8-8)

Item No.	Qty.	Part No.	Description
16	4	31-34051	Straight Thread Elbow 90° JIC x O-Ring (6801-08-10)
17	2	31-34060	Branch Tee JIC x O-Ring (6803-08-10)
18	1	31-34100	Swivel Nut Elbow 90° JIC (6500-8-8)
19	2	35-30022	39" x 3/8" -8JIC/-8JIC Hose
20	2	35-30130	63" x 1/2" -8JIC/-8JIC Hose
21	2	35-30134	75" x 1/2" -8JIC/-8JIC Hose
22	2	35-30145	108" x 1/2" -8JIC/-8JIC Hose
23	1	35-30153	205" x 1/2" -8JIC/-8JIC Hose
24	1	35-30156	215" x 1/2" -8JIC/-8JIC Hose
25	1	56-13305	Hydraulic Valve
26*	1	69-13351	Wire Harness - Valve to Disconnect
27*	1	69-1531	Wire Harness - Disconnect to Tractor
28*	1	70-20581	5/16" Hex Nut NC

NOTE: When ordering cylinder seal kits, the part number on the cylinder is needed. The number is stamped on the base end of the cylinder opposite of the hydraulic ports.

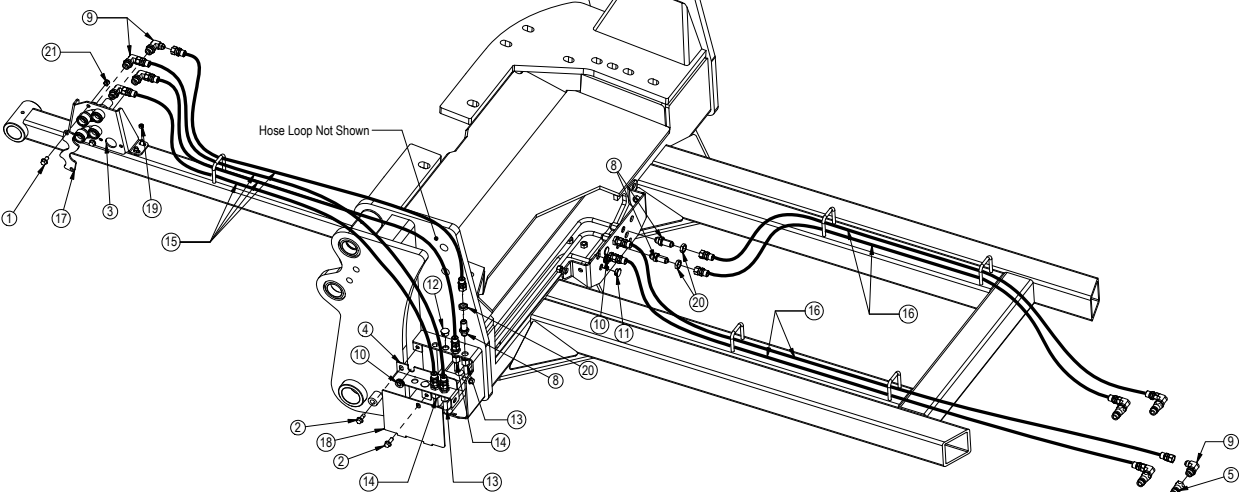
No. On Cylinder	Part No.	Description
26-34711	49-12271	Seal Kit 4 x 8 (647135) Nitrided Rod, Clevis Ends
26-34725	49-12274	Seal Kit 4 x 43.5 (647210) Nitrided Rod

**GROUSER PRODUCTS INC.**  
 755 2nd Ave NW Phone 701.282.7710  
 West Fargo, ND 58078 Fax 701.282.8131  
 WWW.GROUSER.COM

TITLE: Hydraulic Angle and Tilt Hose Routing Date: 4-17-2011

THE INFORMATION CONTAINED IN THIS DRAWING IS THE SOLE PROPERTY OF GROUSER PRODUCTS INC. ANY REPRODUCTION IN PART OR WHOLE WITHOUT THE WRITTEN PERMISSION OF GROUSER PRODUCTS INC IS PROHIBITED.

# Hydraulic Angle and Tilt Hose Routing



\* Parts Not Shown

Item No.	Qty.	Part No.	Description
1	2	16-35C612	3/8" - 16 x 3/4" Flanged Bolt
2	3	16-35C616	3/8" - 16 x 1" Flanged Bolt
3	1	18-14735	760 Female Coupler Mount - HAHT
4	1	18-15115	Bracket, Hydraulic Cover - Top Left
5	4	25-34322	Tappet Quick Coupler Male
6*	2	25-3453	Pioneer Dust Plug Tilt (Green)
7*	2	25-3455	Pioneer Dust Cap Angle (Red)
8	8	31-34000	Bulkhead Union JIC (6400-8-8)
9	8	31-34051	Straight Thread Elbow 90° JIC x O-Ring (6801-08-10)
10	2	34-14826	1/2" ID Rubber Grommet
11	2	34-14861	Pry Out Plug (3080)
12	2	34-14898	Dome Plug (3044)
13	2	35-14351	31.63" - 8 Formed Steel Line
14	2	35-14352	33.88" - 8 Formed Steel Line

Hoses are not drawn to scale.

Item No.	Qty.	Part No.	Description
15	4	35-30132	69" x 1/2" -8JIC/-8JIC Hose
16	4	35-30172	318" x 1/2" -8JIC/-8JIC Hose
17	1	44-14736	760 Female Coupler Retainer - HAHT
18	1	44-15120	Plate, Side Hydraulic Cover - Left - Tier 4
19	4	70-20622	3/8" Flanged Nut
20	8	70-20807	3/4" Hex Jam Nut
21	2	70-59D6	3/8" Polylock Nut

**G GROUSER PRODUCTS INC.**  
 755 2nd Ave NW Phone 701.282.7710  
 West Fargo, ND 58078 Fax 701.282.8131  
 WWW.GROUSER.COM

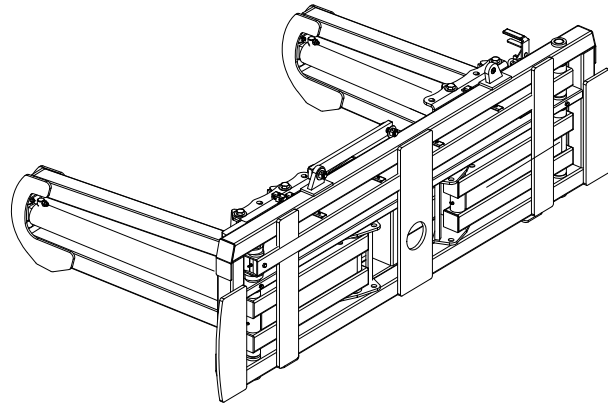
TITLE: Hydraulic Angle and Tilt Hose Routing Date: 4-17-2011

THE INFORMATION CONTAINED IN THIS DRAWING IS THE SOLE PROPERTY OF GROUSER PRODUCTS INC. ANY REPRODUCTION IN PART OR WHOLE WITHOUT THE WRITTEN PERMISSION OF GROUSER PRODUCTS INC. IS PROHIBITED.

# Hydraulic Angle - No Tilt

To avoid frame damage, please read Hydraulic Angle System Operating Instructions (pages 6-7) before use!

Item No.	Qty.	Part No.	Description
1	1	11-5055	450, 660 & 760 Stabilizer Arm
2	1	11-8082	Angle Arm Right
3	1	11-9039	Angle Arm Left
4	1	14-9366	Non Tilt Bar
5	3	16-20036	5/16" x 1-1/2" Hex Bolt Gr 5 NC
6	4	16-20132	1/2" x 3" Hex Bolt Gr 5 NC
7	2	16-20424	1/2" x 3-1/2" Hex Bolt Gr 8 NC
8	3	16-20427	1/2" x 4-1/2" Hex Bolt Gr 8 NC
9	2	16-20564	1" x 3-1/2" Hex Bolt Gr 8 NC
10	4	18-3074	Hose Hold Down Clamp
11	4	18-3075	Hose Hold Down Clamp Plate
12	2	19-7774	1"x1" Spring Bushing (125100100)
13	2	26-34725	4x43.5 Cylinder w/ tube ends - Top Port (647196)
14	1	32-14700	450, 660 & 760 Bolt on QA Angle Frame
15	1	32-14760	450, 660 & 760 Tilt Frame
16	1	43-8130	1-15/16" x 23-1/4" Pin (Tilt Frame / Angle Arm Right)
17	2	43-8131	1-15/16" x 31" Pin (Angle Frame / Angle Arm)
18	1	43-8132	1-15/16" x 35-1/2" Pin (Tilt Frame / Angle Arm Left)
19	1	43-8133	1-15/16" x 7-1/8" Stabilizer Arm Pin
20	2	43-8134	1-1/2" x 8" Angle Cylinder Pin Base End
21	2	43-9352	1-1/2" x 7-1/2" Angle Cylinder Pin
22	4	57-20749	1" Flat Washer
23	2	58-9371	Grease Zerk 1/8" NPT 45°
24	6	58-9372	Grease Zerk 1/8" NPT 90°
25	1	70-20581	5/16" Hex Nut Gr 5 NC
26	9	70-20604	1/2" Hex Center Lock Nut Gr 5 NC
27	2	70-20609	1" Hex Center Lock Nut Gr 5 NC



Refer to Page 11 and 13 for hydraulic components and hoses.

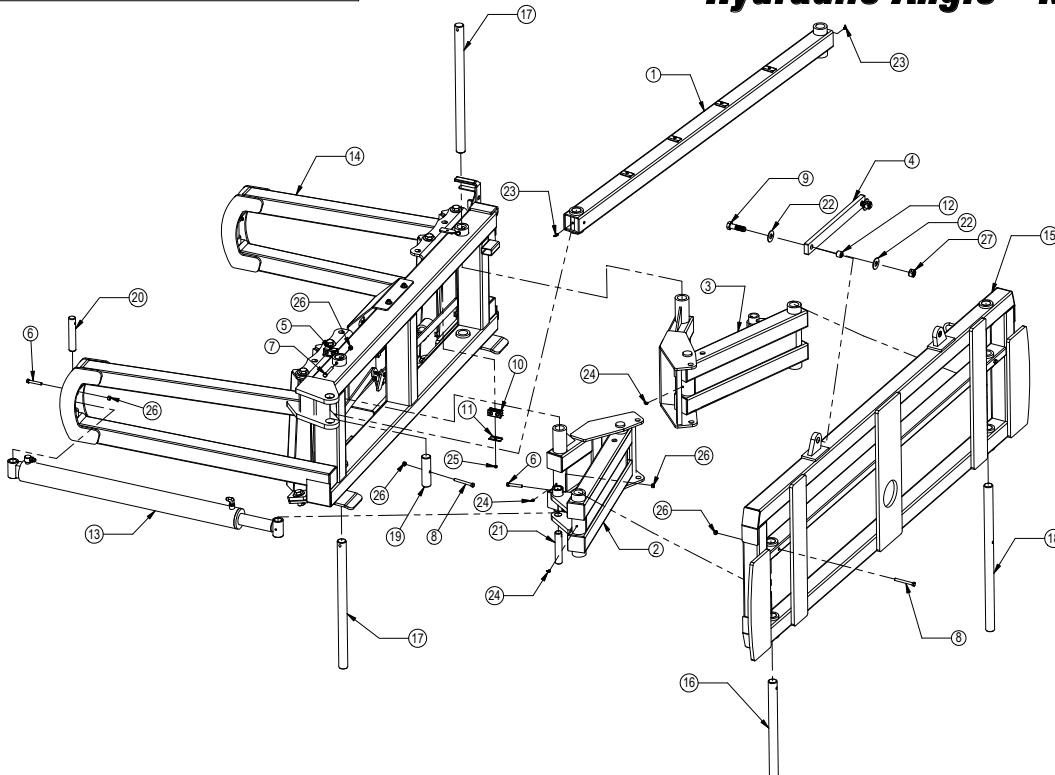
Refer to Page 13 for Quick Attach Lever System Assembly.

**GROUSER PRODUCTS INC.**  
 755 2nd Ave NW Phone 701.282.7710  
 West Fargo, ND 58078 Fax 701.282.8131  
 WWW.GROUSER.COM

TITLE: Hydraulic Angle - No Tilt Date: 2-15-2011

THE INFORMATION CONTAINED IN THIS DRAWING IS THE SOLE PROPERTY OF GROUSER PRODUCTS INC. ANY REPRODUCTION IN PART OR WHOLE WITHOUT THE WRITTEN PERMISSION OF GROUSER PRODUCTS INC. IS PROHIBITED.

# Hydraulic Angle - No Tilt



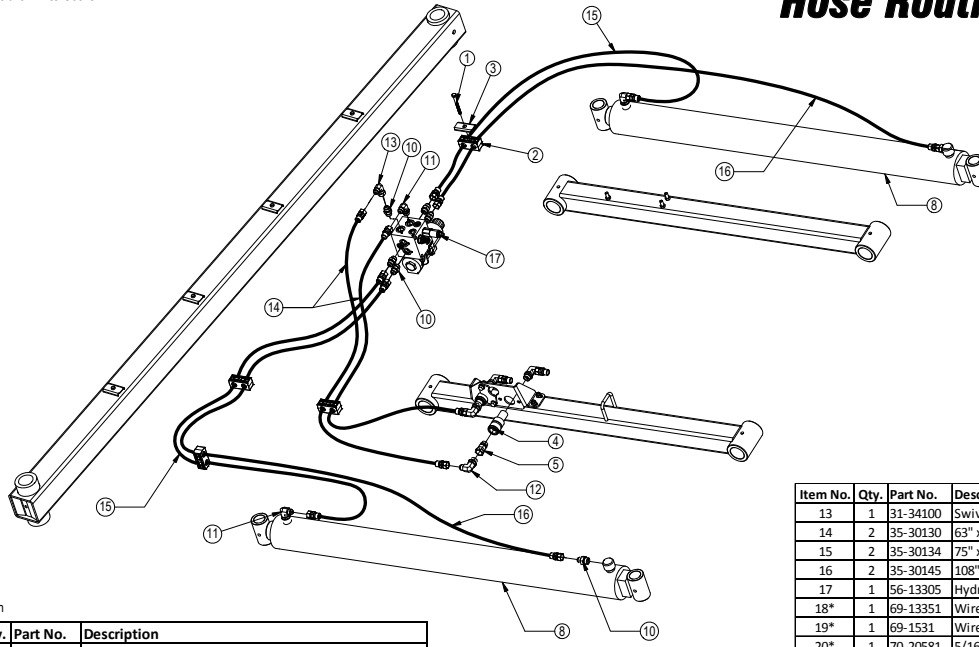
**GROUSER PRODUCTS INC.**  
 755 2nd Ave NW Phone 701.282.7710  
 West Fargo, ND 58078 Fax 701.282.8131  
 WWW.GROUSER.COM

TITLE: Hydraulic Angle - No Tilt Date: 2-15-2011

THE INFORMATION CONTAINED IN THIS DRAWING IS THE SOLE PROPERTY OF GROUSER PRODUCTS INC. ANY REPRODUCTION IN PART OR WHOLE WITHOUT THE WRITTEN PERMISSION OF GROUSER PRODUCTS INC IS PROHIBITED.

# Hydraulic Angle and No Tilt Hose Routing

Hoses are not drawn to scale.



\* Parts Not Shown

Item No.	Qty.	Part No.	Description
1	3	16-20036	5/16" x 1-1/2" Hex Bolt Gr 5 NC
2	4	18-3074	Hose Hold Down Clamp
3	4	18-3075	Hose Hold Down Clamp Plate
4	2	25-34321	Tappet Quick Coupler Female
5	2	25-34322	Tappet Quick Coupler Male
6*	2	25-3455	Pioneer Dust Cap Angle (Red)
7*	2	25-3456	Pioneer Dust Plug Angle (Red)
8	2	26-34725	4 x 43.5 Cylinder Tube Ends, Top Port
9*	1	31-13332	-6 SAE Breather Fitting
10	7	31-34040	Straight JIC x O-Ring (6400-8-8)
11	3	31-34050	Straight Thread Elbow 90° JIC x O-Ring (6801-8-8)
12	2	31-34051	Straight Thread Elbow 90° JIC x O-Ring (6801-08-10)

Item No.	Qty.	Part No.	Description
13	1	31-34100	Swivel Nut Elbow 90° JIC (6500-8-8)
14	2	35-30130	63" x 1/2" -8JIC/-8JIC Hose
15	2	35-30134	75" x 1/2" -8JIC/-8JIC Hose
16	2	35-30145	108" x 1/2" -8JIC/-8JIC Hose
17	1	56-13305	Hydraulic Valve
18*	1	69-13351	Wire Harness - Valve To Disconnect
19*	1	69-1531	Wire Harness - Disconnect to Tractor
20*	1	70-20581	5/16" Hex Nut NC

NOTE: When ordering cylinder seal kits, the part number on the cylinder is needed. The number is stamped on the base end of the cylinder opposite of the hydraulic ports.

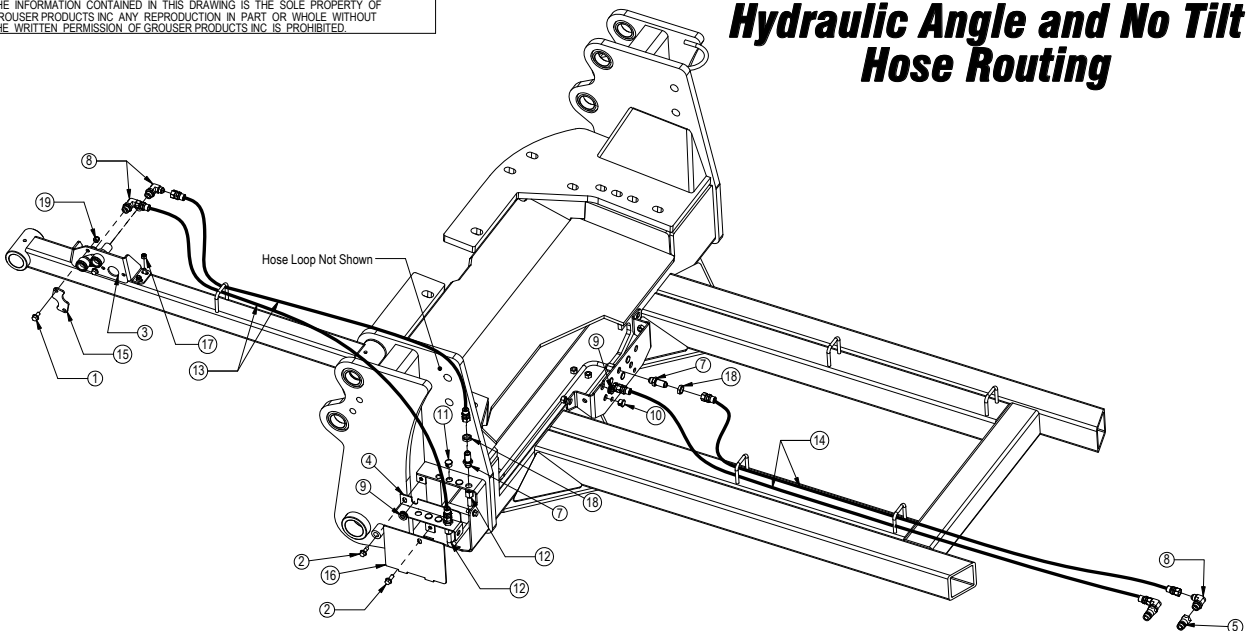
No. On Cylinder	Part No.	Description
26-34725	49-12274	Seal Kit 4 x 43.5 (647210) Nitrided Rod

**GROUSER PRODUCTS INC.**  
 755 2nd Ave NW Phone 701.282.7710  
 West Fargo, ND 58078 Fax 701.282.8131  
 WWW.GROUSER.COM

TITLE: Hydraulic Angle and No Tilt Hose Routing Date: 5-8-2011

THE INFORMATION CONTAINED IN THIS DRAWING IS THE SOLE PROPERTY OF GROUSER PRODUCTS INC. ANY REPRODUCTION IN PART OR WHOLE WITHOUT THE WRITTEN PERMISSION OF GROUSER PRODUCTS INC IS PROHIBITED.

# Hydraulic Angle and No Tilt Hose Routing



\* Parts Not Shown

Item No.	Qty.	Part No.	Description
1	2	16-35C612	3/8" x 3/4" Flanged Bolt
2	3	16-35C616	3/8" x 1" Flanged Bolt
3	1	18-14733	760 Female Coupler Mount - HANT
4	1	18-15115	Bracket, Hydraulic Cover - Top Left
5	2	25-34322	Tappet Quick Coupler Male
6*	2	25-3455	Pioneer Dust Cap Angle (Red)
7	4	31-34000	Bulkhead Union JIC (6400-8-8)
8	4	31-34051	Straight Thread Elbow 90° JIC x O-Ring (6801-08-10)
9	2	34-14826	1/2" ID Rubber Grommet
10	4	34-14861	Pry Out Plug (3080)
11	4	34-14898	Dome Plug (3044)
12	2	35-14351	31.63" -8 Formed Steel Line
13	2	35-30132	69" x 1/2" -8JIC/-8JIC Hose

Hoses are not drawn to scale.

Item No.	Qty.	Part No.	Description
14	2	35-30172	318" x 1/2" -8JIC/-8JIC Hose
15	1	44-14734	760 Female Coupler Retainer - HANT
16	1	44-15120	Plate, Side Hydraulic Cover - Left - Tier 4
17	4	70-20622	3/8" Flanged Nut
18	4	70-20807	3/4" Hex Jam Nut
19	2	70-59D6	3/8" Polylock Nut

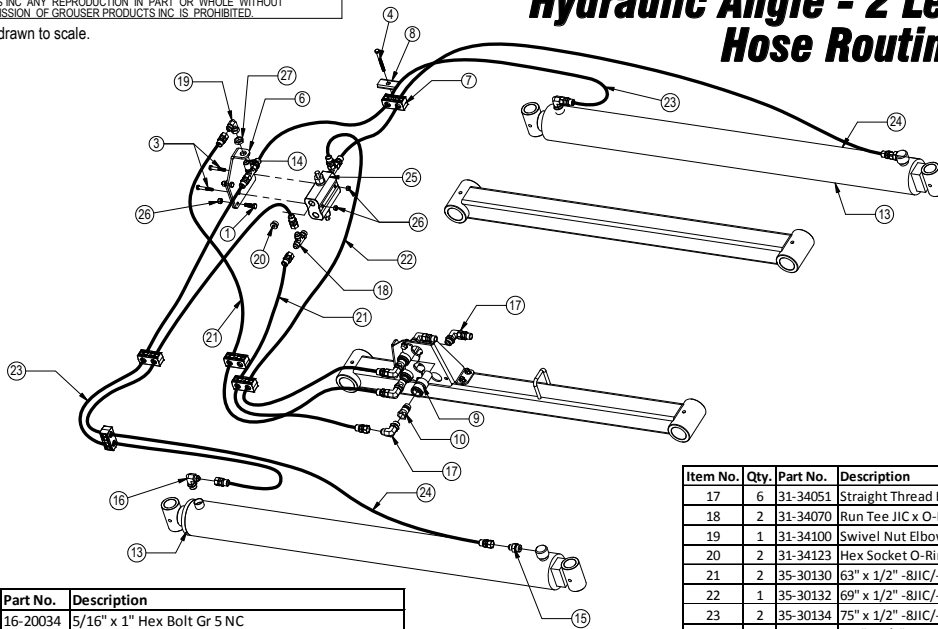
**G GROUSER PRODUCTS INC.**  
 755 2nd Ave NW Phone 701.282.7710  
 West Fargo, ND 58078 Fax 701.282.8131  
 WWW.GROUSER.COM

TITLE: Hydraulic Angle and No Tilt Hose Routing Date: 5-8-2011

THE INFORMATION CONTAINED IN THIS DRAWING IS THE SOLE PROPERTY OF GROUSER PRODUCTS INC. ANY REPRODUCTION IN PART OR WHOLE WITHOUT THE WRITTEN PERMISSION OF GROUSER PRODUCTS INC. IS PROHIBITED.

Hoses are not drawn to scale.

## Hydraulic Angle - 2 Lever System Hose Routing



\* Parts Not Shown

Item No.	Qty.	Part No.	Description
1	2	16-20034	5/16" x 1" Hex Bolt Gr 5 NC
2*	1	16-20036	5/16" x 1-1/2" Hex Bolt Gr 5 NC
3	2	16-20040	5/16" x 2-1/2" Hex Bolt Gr 5 NC
4	1	16-20043	5/16" x 3-1/4" Hex Bolt Gr 5 NC
5*	1	16-20055	5/16" x 4-3/4" Hex Bolt Gr 5 NC
6	1	18-14695	Bracket, Relief Valve
7	5	18-3074	Hose Hold Down Clamp
8	4	18-3075	Hose Hold Down Clamp Plate
9	3	25-34321	Tappet Quick Coupler Female
10	3	25-34322	Tappet Quick Coupler Male
11*	3	25-3455	Pioneer Dust Cap Angle (Red)
12*	3	25-3456	Pioneer Dust Plug Angle (Red)
13	2	26-34725	4 x 43.5 Cylinder Tube Ends, Top Port
14	1	31-34020	Bulkhead Branch Tee JIC (2703-8-8-8)
15	2	31-34040	Straight JIC x O-Ring (6400-8-8)
16	2	31-34050	Straight Thread Elbow 90° JIC x O-Ring (6801-8-8)

Item No.	Qty.	Part No.	Description
17	6	31-34051	Straight Thread Elbow 90° JIC x O-Ring (6801-08-10)
18	2	31-34070	Run Tee JIC x O-Ring (6804-8-8-8)
19	1	31-34100	Swivel Nut Elbow 90° JIC (6409-8)
20	2	31-34123	Hex Socket O-Ring Plug (6409-8)
21	2	35-30130	63" x 1/2" -8JIC/-8JIC Hose
22	1	35-30132	69" x 1/2" -8JIC/-8JIC Hose
23	2	35-30134	75" x 1/2" -8JIC/-8JIC Hose
24	2	35-30145	108" x 1/2" -8JIC/-8JIC Hose
25	1	56-7772	Relief Valve
26	5	70-20581	5/16" Hex Nut NC
27	1	70-20807	3/4" Hex Jam Nut NF

NOTE: When ordering cylinder seal kits, the part number on the cylinder is needed. The number is stamped on the base end of the cylinder opposite of the hydraulic ports.

No. On Cylinder	Part No.	Description
26-34725	49-12274	Seal Kit 4 x 43.5 (647210) Nitrided Rod

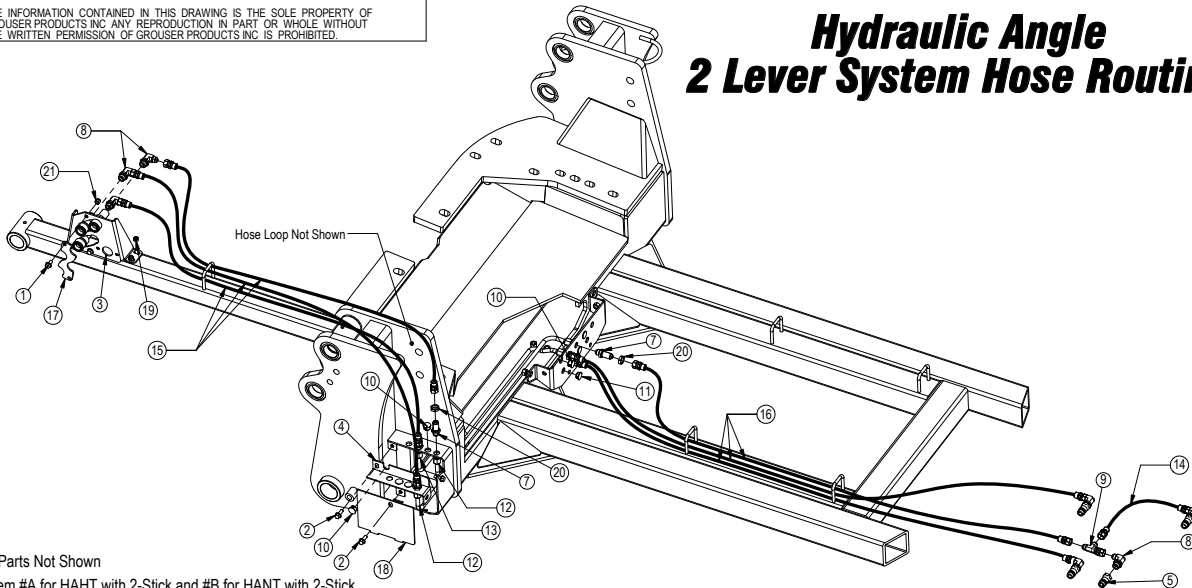
### GROUSER PRODUCTS INC.

755 2nd Ave NW Phone 701.282.7710  
West Fargo, ND 58078 Fax 701.282.8131  
WWW.GROUSER.COM

TITLE: Hydraulic Angle and Tilt Hose Routing Date: 5-27-2011

THE INFORMATION CONTAINED IN THIS DRAWING IS THE SOLE PROPERTY OF GROUSER PRODUCTS INC. ANY REPRODUCTION IN PART OR WHOLE WITHOUT THE WRITTEN PERMISSION OF GROUSER PRODUCTS INC. IS PROHIBITED.

## Hydraulic Angle 2 Lever System Hose Routing



\* Parts Not Shown

Item #A for HAHT with 2-Stick and #B for HANT with 2-Stick.

Item No.	Qty.	Part No.	Description
1	2	16-35C612	3/8" - 16 x 3/4" Flanged Bolt
2	3	16-35C616	3/8" - 16 x 1" Flanged Bolt
3A	1	18-14737	760 Female Coupler Mount - HAHT 2-Stick
3B	1	18-14735	760 Female Coupler Mount - HANT 2-Stick
4	1	18-15115	Bracket, Hydraulic Cover - Top Left
5	4	25-34322	Tappet Quick Coupler Male
6*	4	25-3455	Pioneer Dust Cap Angle (Red)
7	6	31-34000	Bulkhead Union JIC (6400-8-8)
8	7	31-34051	Straight Thread Elbow 90° JIC x O-Ring (6801-08-10)
9	1	31-34090	Swivel Nut Run Tee JIC (6602-8-8-8)
10	5	34-14898	Dome Plug (3044)
11	3	34-14861	Pry Out Plug (3080)
12	2	35-14351	31.63" - 8 Formed Steel Line
13	1	35-14824	29.38" - 8 Formed Steel Line (2-Stick)
14	1	35-30121	35" x 1/2" -8JIC/-8JIC Hose
15	3	35-30132	69" x 1/2" -8JIC/-8JIC Hose

Hoses are not drawn to scale.

Item No.	Qty.	Part No.	Description
16	3	35-30172	318" x 1/2" -8JIC/-8JIC Hose
17A	1	44-14738	760 Female Coupler Retainer - HAHT 2-Stick
17B	1	44-14736	760 Female Coupler Retainer - HANT 2-Stick
18	1	44-15120	Plate, Side Hydraulic Cover - Left - Tier 4
19	4	70-20622	3/8" Flanged Nut
20	6	70-20807	3/4" Hex Jam Nut
21	2	70-59D6	3/8" Polylock Nut



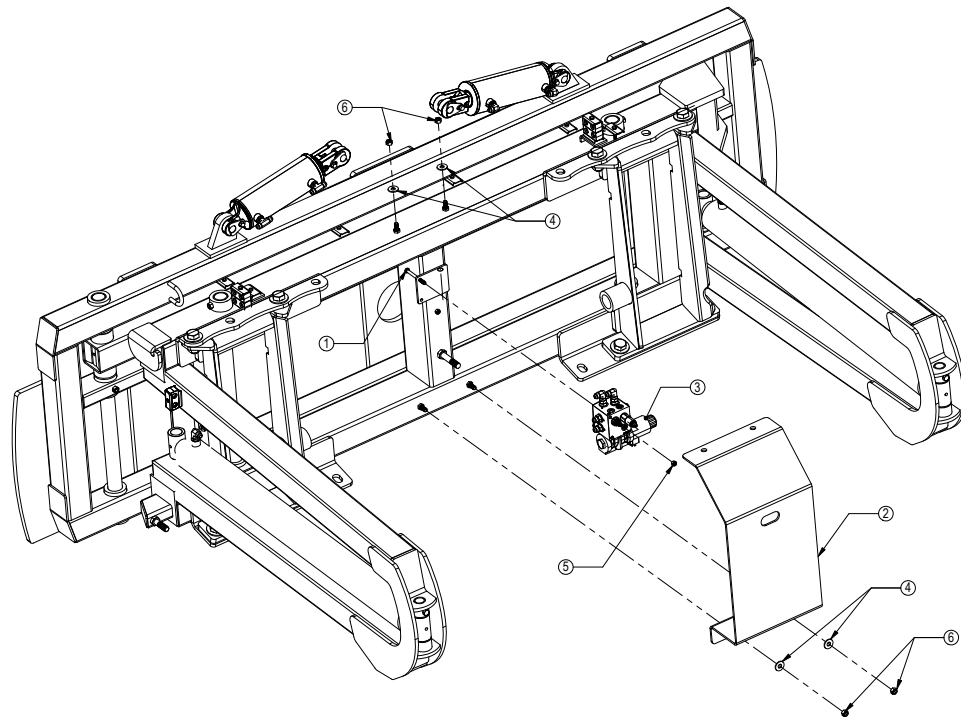
### GROUSER PRODUCTS INC.

755 2nd Ave NW Phone 701.282.7710  
West Fargo, ND 58078 Fax 701.282.8131  
WWW.GROUSER.COM

TITLE: Hydraulic Angle and Tilt Hose Routing Date: 5-7-2011

THE INFORMATION CONTAINED IN THIS DRAWING IS THE SOLE PROPERTY OF GROUSER PRODUCTS INC. ANY REPRODUCTION IN PART OR WHOLE, WITHOUT THE WRITTEN PERMISSION OF GROUSER PRODUCTS INC. IS PROHIBITED.

# Angle Hydraulic Components



Item No.	Qty.	Part No.	Description
1	2	16-20077	3/8" x 4-1/2" Hex Bolt Gr 5 NC
2	1	18-1701	Hydraulic Valve Cover
3	1	56-13305	Hydraulic Valve
4	4	57-20744	1/2" Flat Washer
5	2	70-20582	3/8" Hex Nut
6	4	70-20604	1/2" Hex Center Lock Nut Gr 5 NC



## GROUSER PRODUCTS INC.

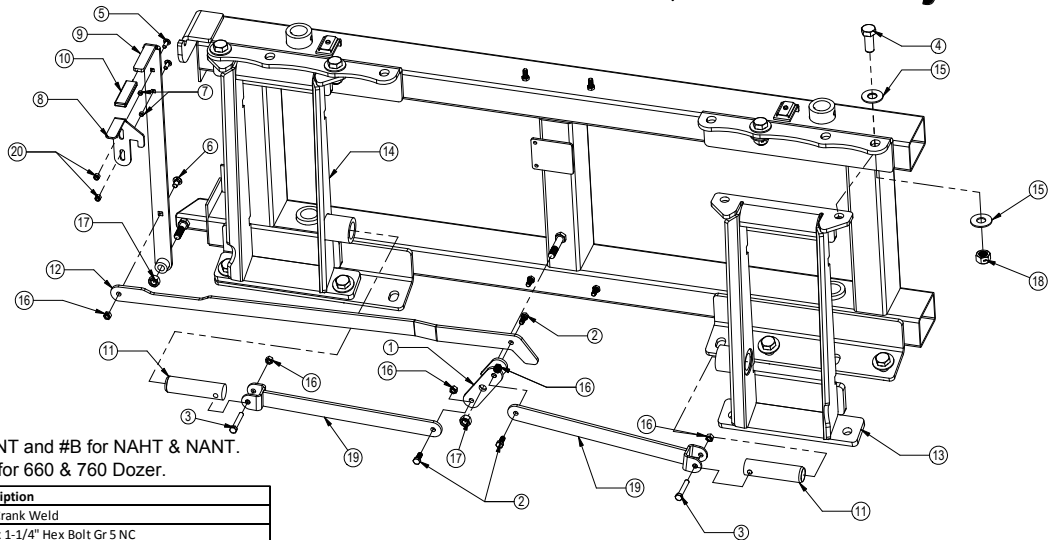
755 2nd Ave NW Phone 701.282.7710  
West Fargo, ND 58078 Fax 701.282.8131  
WWW.GROUSER.COM

TITLE:  
Angle Hydraulic Components

Date:  
2-21-2011

THE INFORMATION CONTAINED IN THIS DRAWING IS THE SOLE PROPERTY OF GROUSER PRODUCTS INC. ANY REPRODUCTION IN PART OR WHOLE, WITHOUT THE WRITTEN PERMISSION OF GROUSER PRODUCTS INC. IS PROHIBITED.

# Quick Attach System



Item #A for HAHT & HANT and #B for NAHT & NANT.  
Item #C for 450 and #D for 660 & 760 Dozer.

Item No.	Qty.	Part No.	Description
1	1	11-3049	Bell Crank Weld
2	3	16-20125	1/2" x 1-1/4" Hex Bolt Gr 5 NC
3	2	16-20132	1/2" x 3" Hex Bolt Gr 5 NC Zinc
4	8	16-20560	1" x 2-1/2" Hex Bolt Gr 8 NC
5	2	16-21064	3/8" x 1" Carriage Bolt
6	1	16-21125	1/2" x 1-1/4" Carriage Bolt
7	2	19-13577	NR Pin Spacer Clevis End
8	1	39-14663	AG Pin Puller Latch
9	1	39-14665	AG Pin Puller Handle Weld
10	1	39-3072	Handle Cover (Orange)
11	2	43-3050	QA Lock Pin
12A	1	44-14709	450, 660 & 760 Pin Puller Link Plate
12B	1	44-14662	AG Pro Pin Puller Link Plate
13	1	45-14710-R	AG Pro Female Vertical Bolt On Quick Attach, Right
14	1	45-14710-L	AG Pro Female Vertical Bolt On Quick Attach, Left
15	16	57-20819	1" Flat Washer Heavy Duty Gr 8 (USS)
16	6	70-20604	1/2" Hex Center Lock Nut Gr 2 NC
17	2	70-20607	3/4" Hex Center Lock Nut Gr 2 NC
18	8	70-20609	1" Hex Center Lock Nut Gr 2 NC
19C	2	75-3053	450 QA Fork - Link Weld
19D	2	75-5053	660 & 760 QA Fork - Link Weld
20	2	70-5906	Nut Polylock 3/8"-16

Some Parts Hidden For Clarity



## GROUSER PRODUCTS INC.

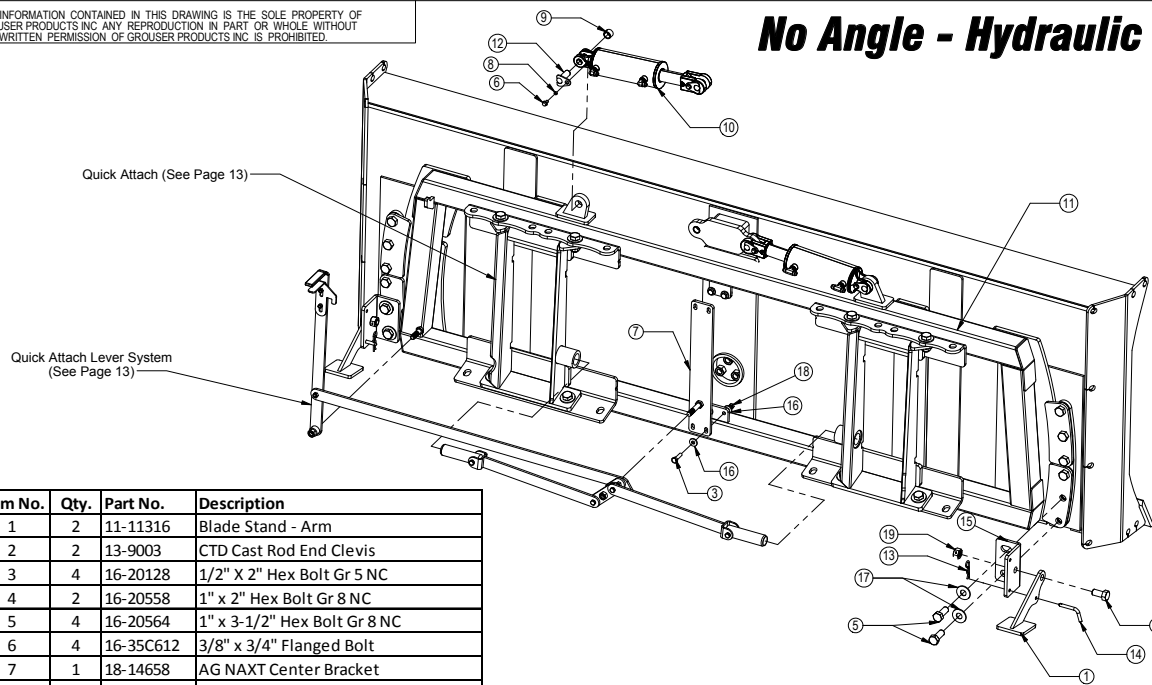
755 2nd Ave NW Phone 701.282.7710  
West Fargo, ND 58078 Fax 701.282.8131  
WWW.GROUSER.COM

TITLE:  
Quick Attach System

Date:  
2/22/2011

THE INFORMATION CONTAINED IN THIS DRAWING IS THE SOLE PROPERTY OF GROUSER PRODUCTS INC. ANY REPRODUCTION IN PART OR WHOLE WITHOUT THE WRITTEN PERMISSION OF GROUSER PRODUCTS INC IS PROHIBITED.

# No Angle - Hydraulic Tilt



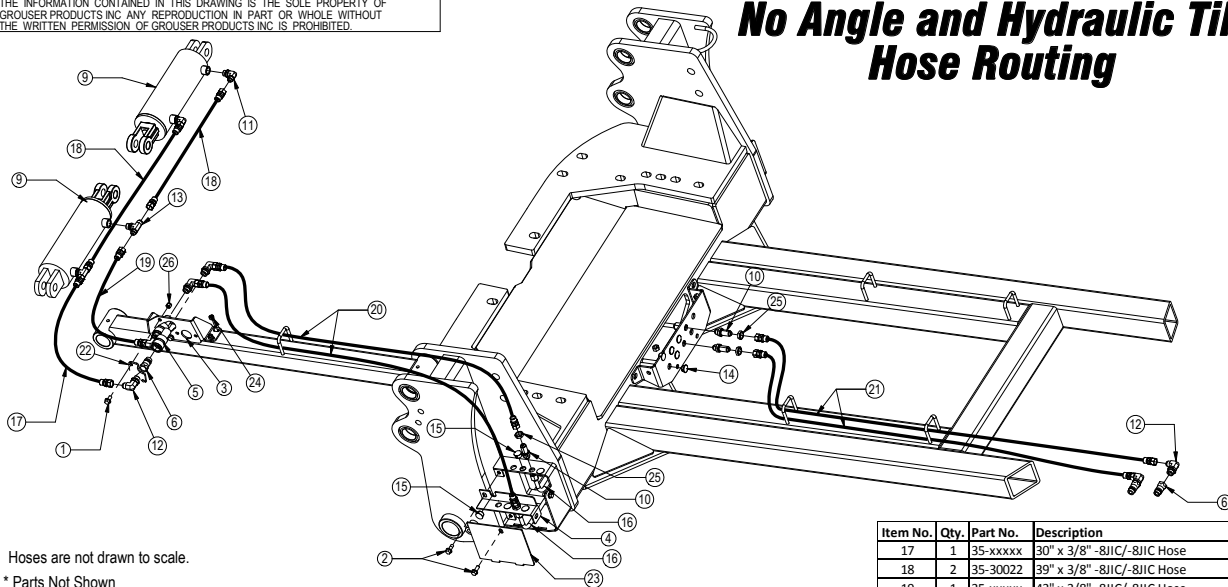
Item No.	Qty.	Part No.	Description
1	2	11-11316	Blade Stand - Arm
2	2	13-9003	CTD Cast Rod End Clevis
3	4	16-20128	1/2" X 2" Hex Bolt Gr 5 NC
4	2	16-20558	1" x 2" Hex Bolt Gr 8 NC
5	4	16-20564	1" x 3-1/2" Hex Bolt Gr 8 NC
6	4	16-35C612	3/8" x 3/4" Flanged Bolt
7	1	18-14658	AG NAXT Center Bracket
8	4	19-13577	NR Pin Spacer Clevis End
9	2	19-7774	1"x1" Spring Bushing
10	2	26-34711	4 x 8 Cylinder W/ Cast Clevis Ends
11	1	32-14560	450, 660, 760, 770 NAHT Tilt Frame
12	4	43-13580	1" Clevis Bolt In Pin
13	2	43-7767	Hitch Pin Clip
14	2	43-9582	1/2" x 2 1/2" Bent Claw Pin
15	2	44-11315	Blade Stand - Plate
16	8	57-20744	1/2" Flat Washer
17	4	57-20749	1" Flat Washer
18	4	70-20604	1/2" Hex Center Lock Nut Gr 2 NC
19	2	70-20609	1" Hex Center Lock Nut Gr 2 NC

**GROUSER PRODUCTS INC.**  
 755 2nd Ave NW Phone 701.282.7710  
 West Fargo, ND 58078 Fax 701.282.8131  
 WWW.GROUSER.COM

TITLE: No Angle Hydraulic Tilt	Date: 2/23/2011
--------------------------------	-----------------

THE INFORMATION CONTAINED IN THIS DRAWING IS THE SOLE PROPERTY OF GROUSER PRODUCTS INC. ANY REPRODUCTION IN PART OR WHOLE WITHOUT THE WRITTEN PERMISSION OF GROUSER PRODUCTS INC IS PROHIBITED.

# No Angle and Hydraulic Tilt Hose Routing



Item No.	Qty.	Part No.	Description
1	2	16-35C612	3/8" x 3/4" Flanged Bolt
2	3	16-35C616	3/8" x 1" Flanged Bolt
3	1	18-14733	760 Female Coupler Mount - NAHT
4	1	18-15115	Bracket, Hydraulic Cover - Top Left
5	2	25-34321	Tappet Quick Coupler Female
6	4	25-34322	Tappet Quick Coupler Male
7*	4	25-3453	Pioneer Dust Cap Tilt (Green)
8*	2	25-3454	Pioneer Dust Plug Tilt (Green)
9	2	26-34711	4 x 8 Cylinder with Cast Clevis Ends
10	4	31-34000	Bulkhead Union JIC (2700-8-8)
11	2	31-34050	Straight Thread Elbow 90° JIC x O-Ring (6801-8-8)
12	6	31-34051	Straight Thread Elbow 90° JIC x O-Ring (6801-08-10)
13	2	31-34060	Branch Tee JIC x O-Ring (6803-8-8-8)
14	4	34-14861	Pry Out Plug (3080)
15	6	34-14898	Dome Plug (3044)
16	2	35-14352	33.88" -8 Formed Steel Line (Tilt)

Item No.	Qty.	Part No.	Description
17	1	35-xxxxx	30" x 3/8" -8JIC/-8JIC Hose
18	2	35-30022	39" x 3/8" -8JIC/-8JIC Hose
19	1	35-xxxxx	43" x 3/8" -8JIC/-8JIC Hose
20	2	35-30132	69" x 1/2" -8JIC/-8JIC Hose
21	1	35-30172	318" x 1/2" -8JIC/-8JIC Hose
22	1	44-14734	760 Female Coupler Retainer - NAHT
23	1	44-15120	Plate, Side Hydraulic Cover - Left
24	4	70-20622	3/8" Flanged Nut
25	4	70-20807	3/4" Hex Jam Nut NF
26	2	70-59D6	3/8" Polylock Nut

NOTE: When ordering cylinder seal kits, the part number on the cylinder is needed. The number is stamped on the base end of the cylinder opposite of the hydraulic ports.

No. On Cylinder	Part No.	Description
26-34711	49-12271	Seal Kit 4 x 8 (647135) Nitrided Rod, Clevis Ends

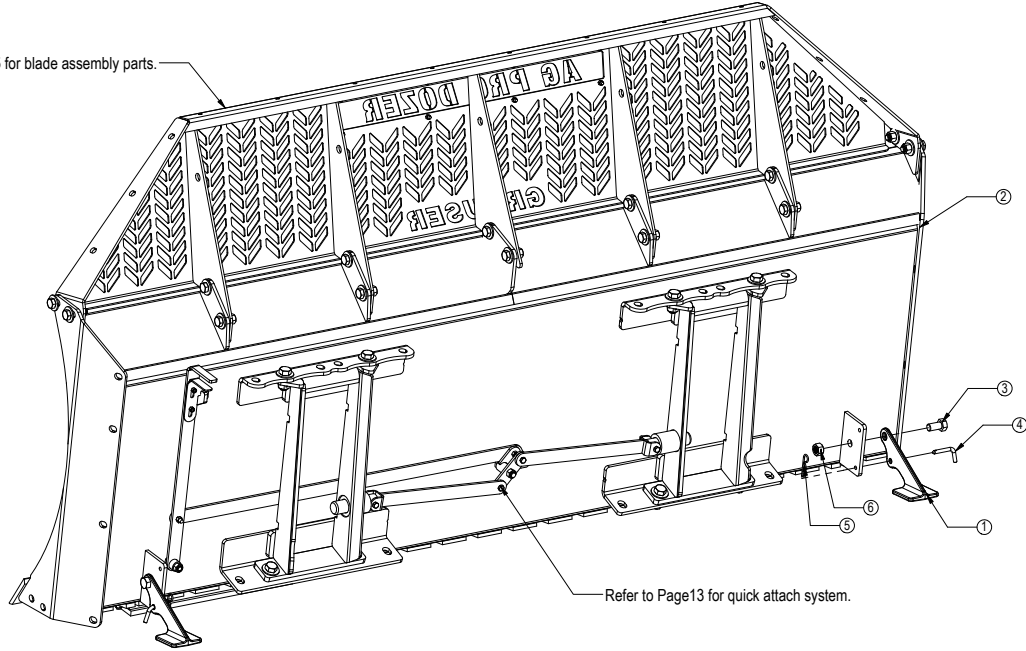
**GROUSER PRODUCTS INC.**  
 755 2nd Ave NW Phone 701.282.7710  
 West Fargo, ND 58078 Fax 701.282.8131  
 WWW.GROUSER.COM

TITLE: No Angle and Hydraulic Tilt Hose Routing	Date: 4-17-2011
---	-----------------

THE INFORMATION CONTAINED IN THIS DRAWING IS THE SOLE PROPERTY OF GROUSER PRODUCTS INC. ANY REPRODUCTION IN PART OR WHOLE WITHOUT THE WRITTEN PERMISSION OF GROUSER PRODUCTS INC. IS PROHIBITED.

# No Angle - No Tilt

Refer to Page 5 for blade assembly parts.



Item No.	Part No.	Description	Blade Length				
			12'	14'	16'	18'	20'
			Qty.	Qty.	Qty.	Qty.	Qty.
1	11-11316	Blade Stand	2	2	2	2	2
2	15-14690-12	AG Pro NANT Blade 12' - Slant Top	1				
2	15-14690-14	AG Pro NANT Blade 14' - Slant Top		1			
2	15-14690-16	AG Pro NANT Blade 16' - Slant Top			1		
2	15-14690-18	AG Pro NANT Blade 18' - Slant Top				1	
2	15-14690-20	AG Pro NANT Blade 20' - Slant Top					1
3	16-20558	1" x 2" Hex Bolt Gr 8 NC	2	2	2	2	2
4	43-9582	Bent Claw Pin	2	2	2	2	2
5	43-7767	Hitch Pin Clip	2	2	2	2	2
6	70-20609	1" Hex Center Lock Nut Gr 2 NC	2	2	2	2	2



## GROUSER PRODUCTS INC.

755 2nd Ave NW Phone 701.282.7710  
West Fargo, ND 58078 Fax 701.282.8131  
WWW.GROUSER.COM

TITLE:

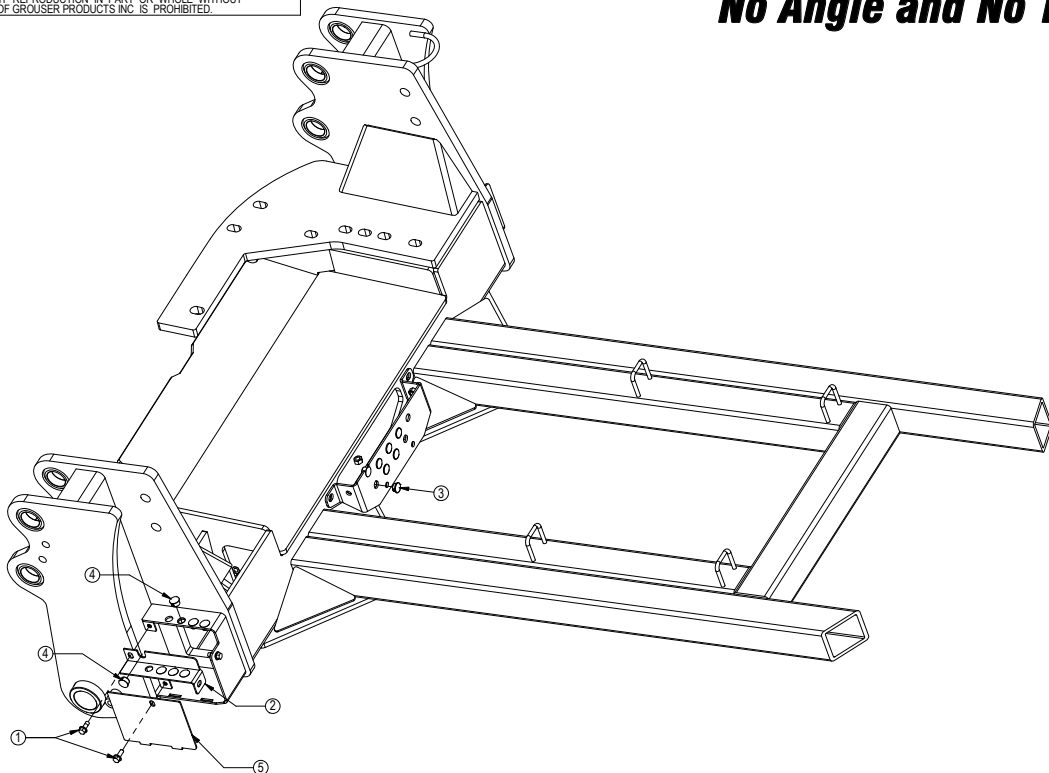
Blade Assembly

Date:

6-17-2011

THE INFORMATION CONTAINED IN THIS DRAWING IS THE SOLE PROPERTY OF GROUSER PRODUCTS INC. ANY REPRODUCTION IN PART OR WHOLE WITHOUT THE WRITTEN PERMISSION OF GROUSER PRODUCTS INC. IS PROHIBITED.

# No Angle and No Tilt



Item No.	Qty.	Part No.	Description
1	3	16-35C616	3/8" x 1" Flanged Bolt
2	1	18-15115	Bracket, Hydraulic Cover - Top Left
3	6	34-14861	Pry Out Plug (3080)
4	8	34-14898	Dome Plug (3044)
5	1	44-15120	Plate, Side Hydraulic Cover - Left



## GROUSER PRODUCTS INC.

755 2nd Ave NW Phone 701.282.7710  
West Fargo, ND 58078 Fax 701.282.8131  
WWW.GROUSER.COM

TITLE:

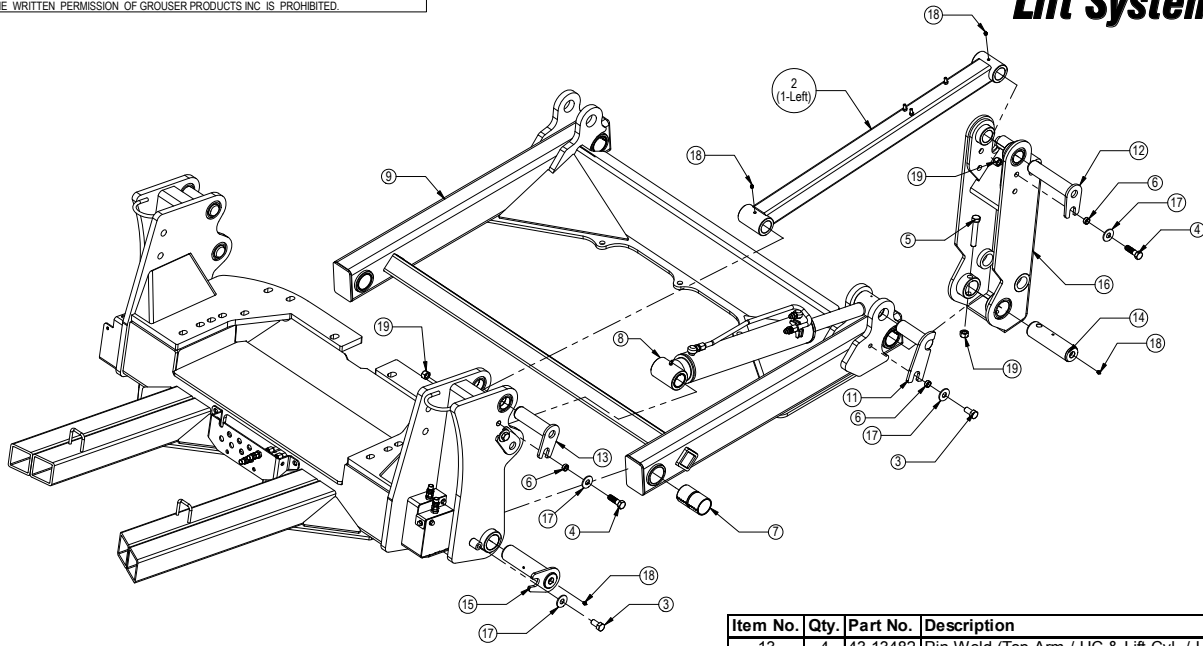
No Angle and No Tilt

Date:

6-19-2011

THE INFORMATION CONTAINED IN THIS DRAWING IS THE SOLE PROPERTY OF GROUSER PRODUCTS INC. ANY REPRODUCTION IN PART OR WHOLE WITHOUT THE WRITTEN PERMISSION OF GROUSER PRODUCTS INC. IS PROHIBITED.

# Lift System



Item No.	Qty.	Part No.	Description
1	1	11-14740-L	760 Top Arm - Left
2	1	11-14740-R	760 Top Arm - Right
3	4	16-20216	3/4" x 1-1/2" Hex Bolt Gr 5 NC
4	6	16-20220	3/4" x 2-1/2" Hex Bolt Gr 5 NC
5	2	16-20227	3/4" x 4-1/2" Hex Bolt Gr 5 NC
6	8	19-13515	3/4" ID - Non Rotating Pin Spacer Bushing
7	4	19-13525	2.75 x 2.50 x 4.75 Spring Bushing
8	2	26-34738	4x20 Long Cylinder - Bushed Tube Ends (647267)
9	1	32-14960	760 Low Obstruction Lift Frame
10	1	43-12929-L	Pin Weld - Long Ear (Lift Cyl. / Lift Frame) - Left
11	1	43-12929-R	Pin Weld - Long Ear (Lift Cyl. / Lift Frame) - Right
12	2	43-13478	Pin Weld (Top Arm / QA)

Item No.	Qty.	Part No.	Description
13	4	43-13482	Pin Weld (Top Arm / UC & Lift Cyl. / UC)
14	2	43-14720	Pin (Lift Frame / QA)
15	2	43-14725	Pin Weld (Lift Frame / UC)
16	2	45-12175	700 Series Male Quick Attach
17	10	57-20747	3/4" Flat Washer
18	8	58-9369	Grease Zerk 1/8" NPT Straight
19	8	70-20607	3/4" Hex Center Lock Nut Gr 5 NC



## GROUSER PRODUCTS INC.

755 2nd Ave NW Phone 701.282.7710  
West Fargo, ND 58078 Fax 701.282.8131  
WWW.GROUSER.COM

TITLE:

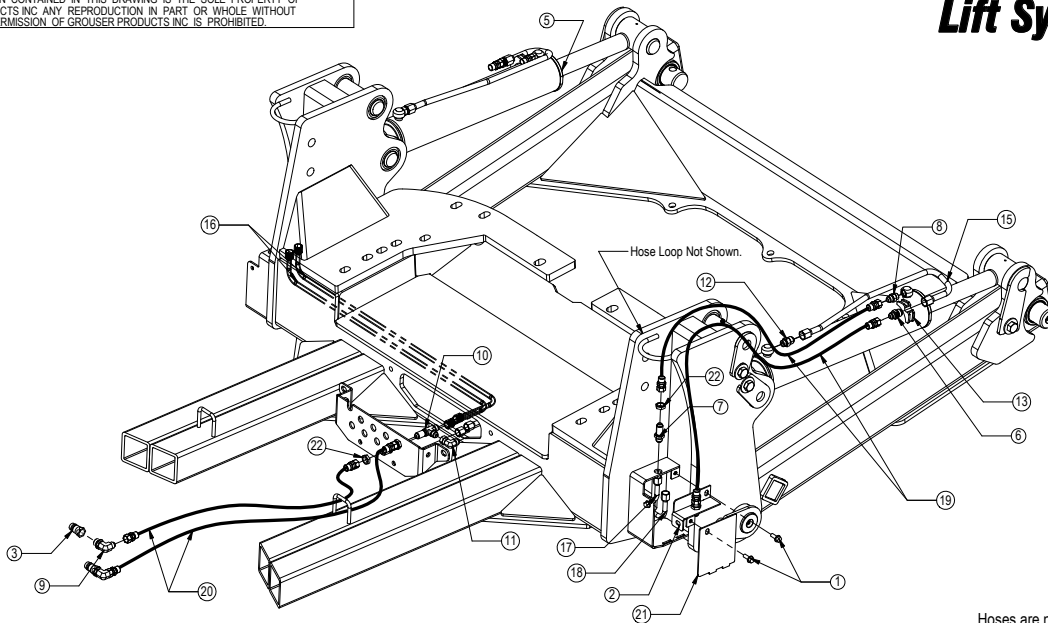
Lift System

Date:

2-26-2011

THE INFORMATION CONTAINED IN THIS DRAWING IS THE SOLE PROPERTY OF GROUSER PRODUCTS INC. ANY REPRODUCTION IN PART OR WHOLE WITHOUT THE WRITTEN PERMISSION OF GROUSER PRODUCTS INC. IS PROHIBITED.

# Lift System



\* Parts Not Shown

Item No.	Qty.	Part No.	Description
1	3	16-35C616	3/8" x 1" Flanged Bolt
2	1	18-15128	Bracket, Hydraulic Cover - Top Right
3	2	25-34322	Tappet Quick Coupler Male
4*	2	25-3457	Pioneer Dust Cap Lift (Orange)
5	2	26-34738	4x 20 Long Cylinder Bushed Tube Ends (647267)
6	2	31-11699-10-8	JIC Union (2403-10-8)
7	4	31-34000	Bulkhead Union JIC (2700-8-8)
8	2	31-34040	Straight JIC X O-Ring (6400-8-8)
9	2	31-34051	Straight Thread Elbow 90° JIC x O-Ring (6801-08-10)
10	2	31-34030	Bulkhead Run Tee JIC (2704-8-8-8)
11	2	31-34100	Swivel Nut Elbow 90° JIC (6500-8-8)
12	2	31-6400-10-8	Straight JIC X O-Ring (6400-10-8)
13	2	34-12932	Cylinder Saddle (ZR518)
14*	2	34-12933	Hose Clamp

Item No.	Qty.	Part No.	Description
15	2	35-12931	Formed Steel Line (Lift Cylinder)
16	2	35-14353	36.13" - 8 Formed Steel Line (Left Lift)
17	1	35-14354	26.63" - 8 Formed Steel Line (Right Lift)
18	1	35-14355	29.63" - 8 Formed Steel Line (Right Lift)
19	4	35-30130	63" x 1/2" - 8JIC/-8JIC Hose
20	2	35-30172	318" x 1/2" - 8JIC/-8JIC Hose
21	2	44-15125	Plate, Side Hydraulic Cover - Right
22	6	70-20807	3/4" Hex Jam Nut NF



## GROUSER PRODUCTS INC.

755 2nd Ave NW Phone 701.282.7710  
West Fargo, ND 58078 Fax 701.282.8131  
WWW.GROUSER.COM

TITLE:

Lift System

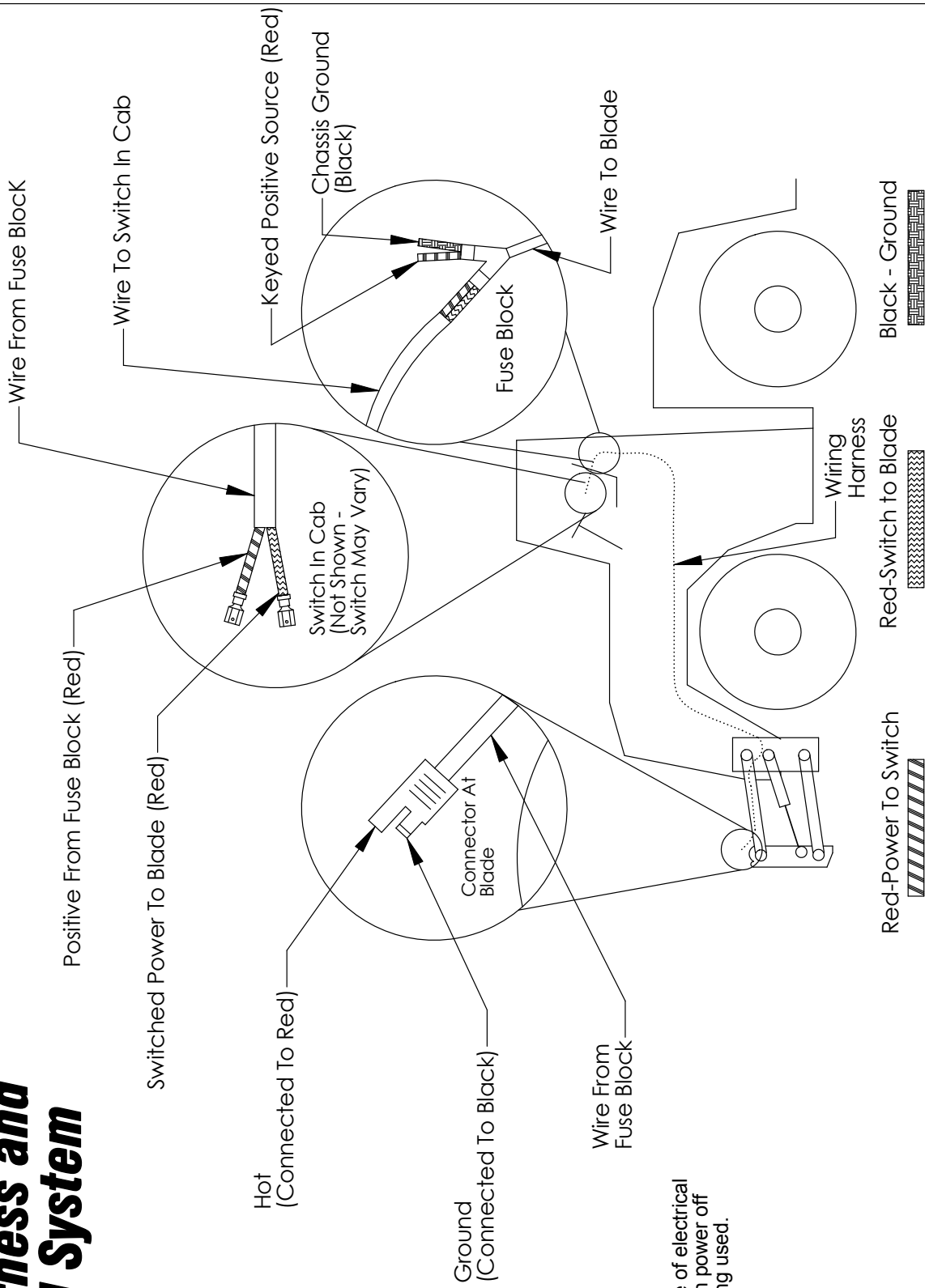
Date:

2-26-2011



THE INFORMATION CONTAINED IN THIS DRAWING IS THE SOLE PROPERTY OF GROUSER PRODUCTS INC. ANY REPRODUCTION IN PART OR WHOLE WITHOUT THE WRITTEN PERMISSION OF GROUSER PRODUCTS INC. IS PROHIBITED.

# Wiring Harness and Electrical System



Note: To maximize life of electrical system and valve, turn power off when dozer is not being used.

## Instructions

1. Locate "keyed and fused" 12 V power supply in cab of tractor.
2. Disconnect battery.
3. Connect the red wire to power and the black wire to ground.
4. Install switch in convenient place in cab.
5. Route wire harness from switch to the blade. (plug-in connector at blade)
6. Connect the switch to the wire harness.
7. Reconnect the battery.

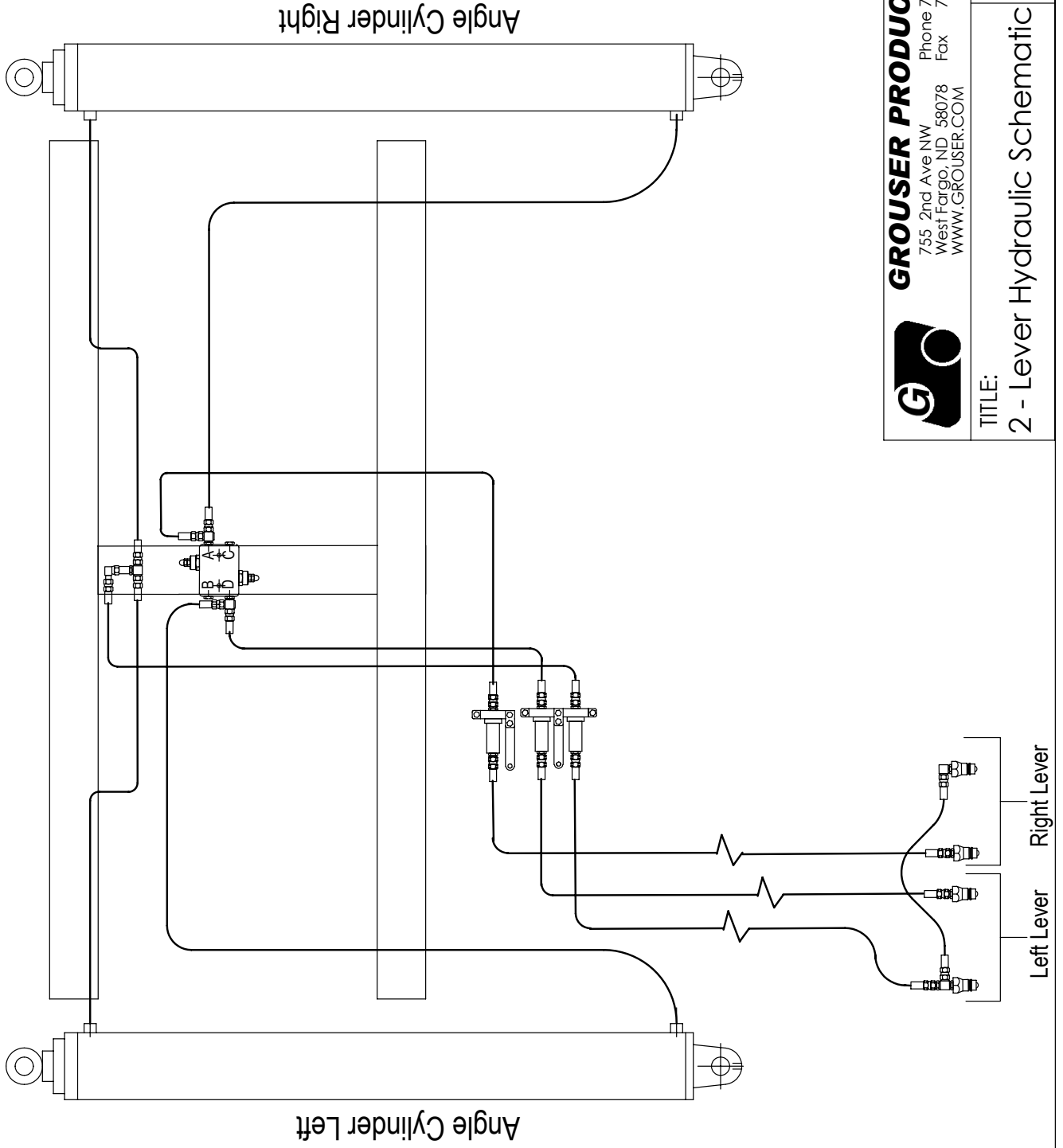


**GROUSER PRODUCTS INC.**  
 755 2nd Ave NW Phone 701.282.7710  
 West Fargo, ND 58078 Fax 701.282.8131  
 WWW.GROUSER.COM

TITLE: **Wiring Harness and Electrical System** Date: **6-26-2011**

THE INFORMATION CONTAINED IN THIS DRAWING IS THE SOLE PROPERTY OF GROUSER PRODUCTS INC. ANY REPRODUCTION IN PART OR WHOLE WITHOUT THE WRITTEN PERMISSION OF GROUSER PRODUCTS INC. IS PROHIBITED.

# 2 - Lever System Hydraulic Schematic



**GROUSER PRODUCTS INC.**

755 2nd Ave NW Phone 701.282.7710  
West Fargo, ND 58078 Fax 701.282.8131  
WWW.GROUSER.COM

TITLE:

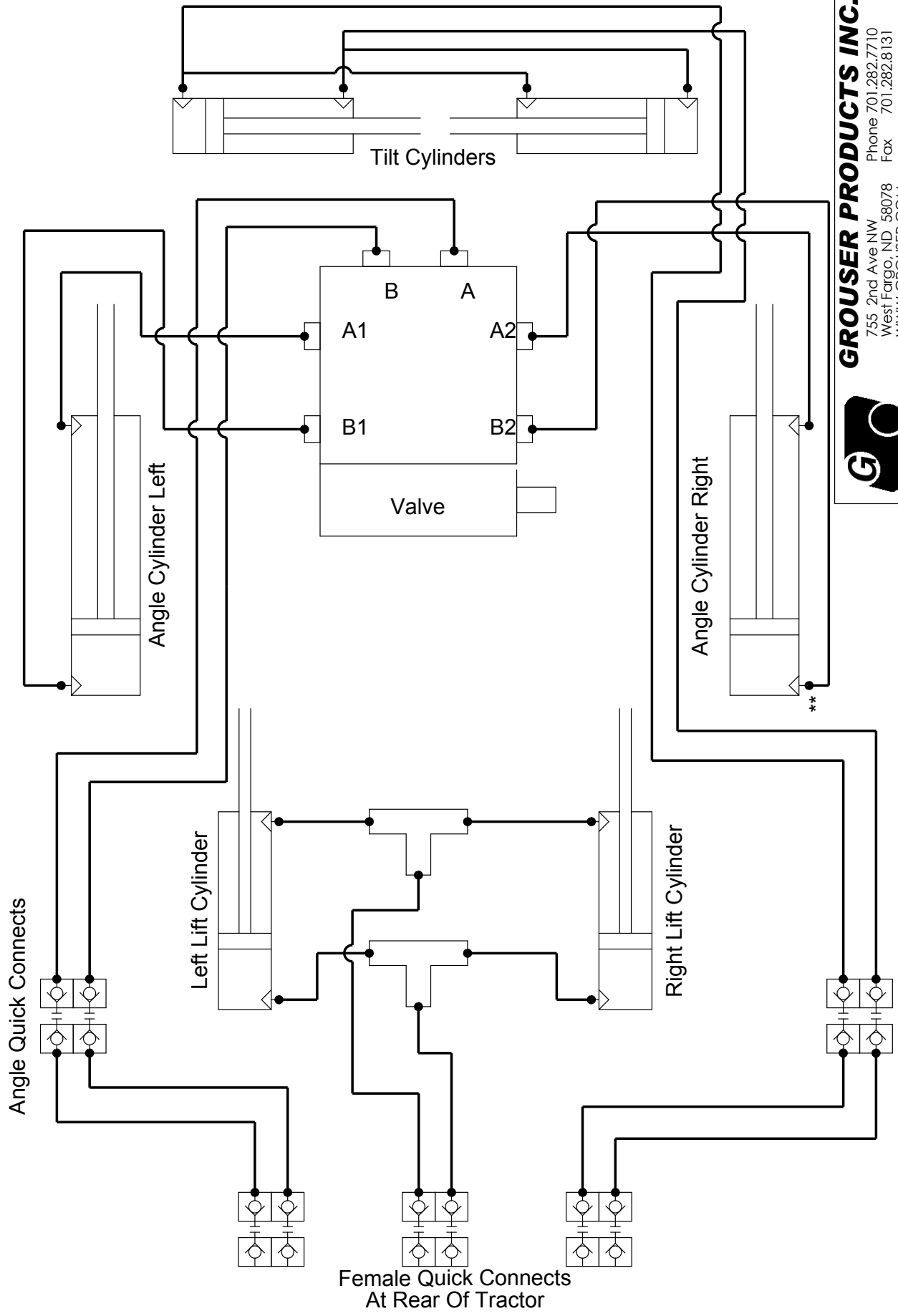
2 - Lever Hydraulic Schematic

Date:

2-19-2007

# Hydraulic Schematic

THE INFORMATION CONTAINED IN THIS DRAWING IS THE SOLE PROPERTY OF GROUSER PRODUCTS INC. ANY REPRODUCTION IN PART OR WHOLE WITHOUT THE WRITTEN PERMISSION OF GROUSER PRODUCTS INC. IS PROHIBITED.



**GROUSER PRODUCTS INC.**  
 755 2nd Ave NW  
 West Fargo, ND 58078  
 WWW.GROUSER.COM  
 Phone 701.282.7710  
 Fax 701.282.8131

TITLE:

Hydraulic Schematic

Date:

3-26-2011

\*\* Denotes location of gauge for adjustment of relief valve.

---

---

# Contact Us

---

---

As always, if you have any questions about your 760 Dozer or other products made by Grouser, feel free to contact us.

## **Grouser Products**

755 2nd Ave NW - West Fargo, ND 58078

**Phone:** 1-800-747-6182

**Fax:** 1-701-282-8131

**E-mail:** [grouser@grouser.com](mailto:grouser@grouser.com)

**Website:** [www.grouser.com](http://www.grouser.com)

---

---

# Improvements

---

---

Grouser Products Inc. is continually striving to improve its products. We reserve the right to change prices, specification, or equipment at any time without notice. We also reserve the right to make improvements or changes when it becomes practical and possible to do so without incurring any obligation to make changes or additions to the equipment sold previously.

---

---

# Warranty

---

---

Grouser Products warrants to the original purchaser of each item that the product be free from defects in material and workmanship under normal use and service for a period of one year. If such equipment is found to be defective within one year, it is the obligation of Grouser Products under this warranty to repair or replace (exclusive of the cost of labor and transportation), any equipment or parts, in the judgment of Grouser Products to be defective in material or workmanship.

All equipment or parts claimed to be defective in material or workmanship must be made available for inspection at the place of business of a dealer authorized to handle the equipment covered by this warranty, or, upon request by Grouser Products, shipped to the Grouser Products factory in West Fargo, North Dakota. Grouser Products shall have no obligation to bear the cost of labor or transportation in connection with replacement or repair of any such defective parts in the setup process.

This warranty covers only defects in material and workmanship. It does not cover depreciation or damage caused by normal wear, accident, improper assembly, improper adjustments, improper maintenance including lack of proper lubrication, or improper use. Therefore, Grouser Products liability under this warranty shall not be effective or actionable unless the equipment is assembled, maintained and operated in accordance with the operating instructions accompanying the equipment. Grouser Products shall have no liability if the equipment has been altered or reworked without the written authorization of Grouser Products.

Grouser Products' parts, which are furnished under this warranty and properly installed, shall be warranted to the same extent as the original parts under this warranty if, and only if, such parts are found to be defective within the original warranty period covering the original equipment.

