



# **770 - Steiger & New Holland T9 Owner's Manual & Parts Book**

**For Models:**

Case Steiger Wheeled - 500, 550, 600  
Case Steiger Quad - 450, 500, 550, 600

New Holland - T9.615, T9.670

Purchase Date
Serial Number
Model Number
Tractor Model
Dealer

# Contents

<b>Description</b>	<b>Page</b>
To The Owner, Angle / Tilt Function Abbreviation Key & Unpacking Components	2
Undercarriage Installation Instructions	3-5
Assembling Lift Components & Initial System Startup	6
Lift System	7
Hose Routing	8
Electric Hydraulic Angle & 2-Lever Angle System Operating Instructions	9
Angle Position Sensor Adjustment	9
Skid Shoe and Tilt Plate Adjustment & Torque Specifications	10
Maintenance & Safety Precautions	11
No Angle - Hydraulic Tilt System & Hydraulics	12-13
Angle Hydraulic Components	13
Quick Attach System	14-15
Hydraulic Angle - Hydraulic Tilt & Hydraulic Angle - No Tilt System	16-17
Hydraulic Angle - Hydraulic Tilt & Hydraulic Angle - No Tilt Hose Routing (Blade Side)	18-19
Hydraulic Angle - 2 Lever System Hose Routing (Blade Side)	20-21
Tractor Side Hydraulic Hose Routing	22-23
Hydraulic Connections	24-25
End Extensions	25
Blade Assemblies	26
Angle Wire Harness	27
Electric System Wire Harness Schematic and Hydraulic Schematic	28-29
2- Lever System Wire Harness Schematic and Hydraulic Schematic	30-31
Contact Us, Improvements, & Warranty	32

## To The Owner

This manual contains information concerning the operation, adjustment, and maintenance of the 770 blade assembly. You have purchased dependable, long lasting equipment, but only by proper care and operation can you expect to receive the performance and long service built into our products. Please have all operators read this manual carefully and keep the manual available for ready reference. If you have any questions or concerns, contact Grouser Products.

## Angle / Tilt Function Abbreviation Key

HAHT	Hydraulic Angle - Hydraulic Tilt	6-Way
HANT	Hydraulic Angle - No Tilt	4-Way
NAHT	No Angle - Hydraulic Tilt	4-Way
NANT	No Angle - No Tilt	2-Way

## Unpacking Components

Unstrap and remove the lift frame, hoses, top arms, and any boxes of hardware from the undercarriage. If any components are missing, call Grouser.

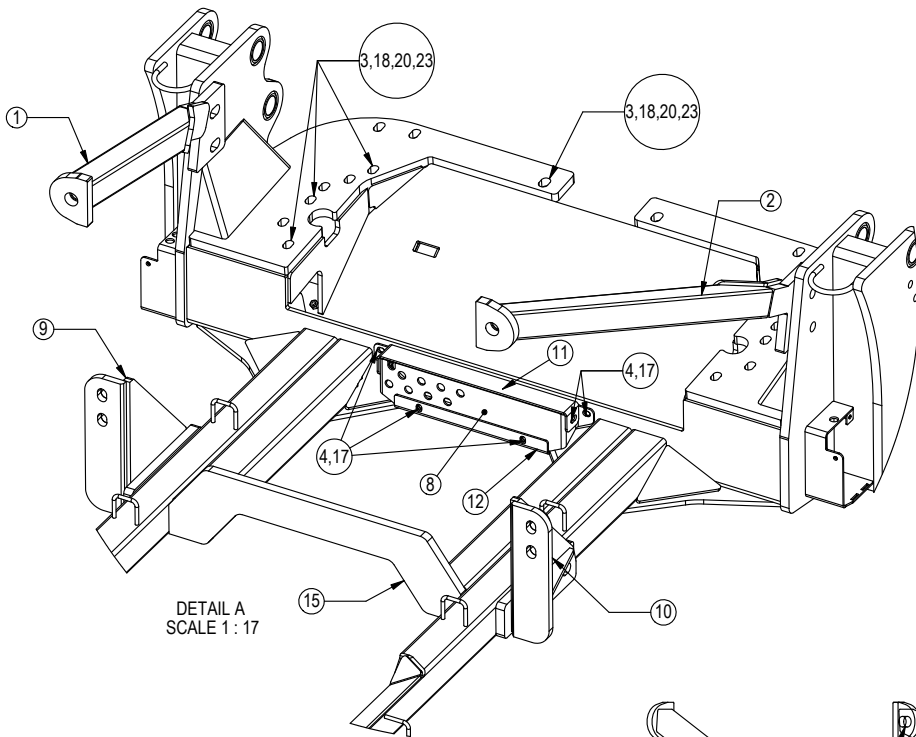
# Undercarriage Installation Instructions

## **Caution:**

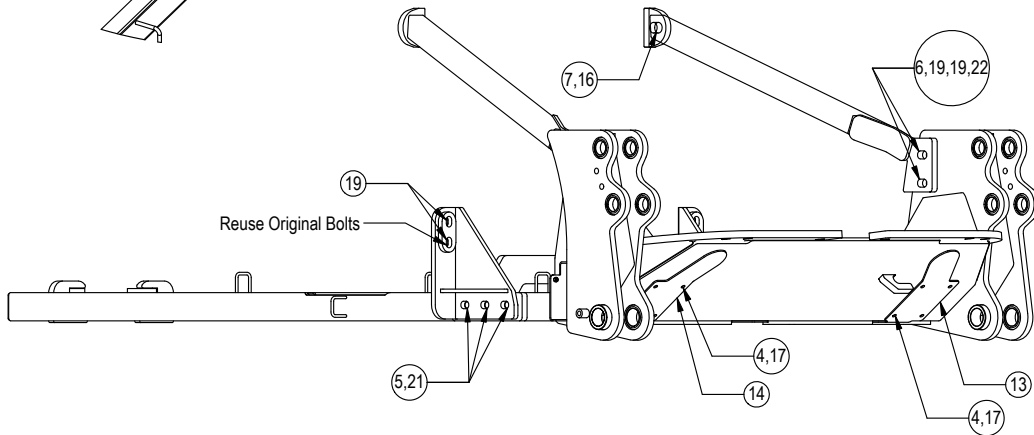
- Always use precaution when working around any equipment.
- Always wear safety glasses.
- Follow tractor manufacturer's safety guidelines when installing this product.

**NOTE: For all steps below, see diagrams on Page 4 for quad tractors or Page 5 for wheeled tractors for clarification.**

1. Read all instructions prior to installation.
2. Remove existing toolboxes, front weights, and tow cable holder if equipped. Tow cable can be reinstalled later if a bracket is purchased from Grouser Products.
3. If the bottom covers (PN: 44-14382-R,L) are not factory installed, attach to U/C with 1/2" x 1-1/4" bolts (PN: 16-20125) and 1/2" flat washers (PN: 57-20744).
4. If the bulkhead bracket (PN: 18-14370) is not factory installed, attach to the U/C with 2 - 1/2" x 1-1/4" bolts (PN: 16-20125) and 1/2" flat washers (PN: 57-20744). See parts book for bulkhead fittings, steel lines, and hose locations.
5. If bulkhead covers (PN: 44-14375 & 44-14376) are not factory installed, verify that all hydraulics are installed correctly and then attach the covers to the U/C with 6 - 1/2" x 1-1/4" bolts (PN: 16-20125) and 1/2" flat washers (PN: 57-20744).
6. Position the undercarriage (U/C) under tractor and center on the frame of the tractor.
7. Lift the rear of the U/C up and set the top plates of the U/C on the cross member. Push the U/C back until the vertical push plates are firmly against the cross member. Lift the U/C to within 3/4" of touching the tractor frame.
8. Insert 8 - 20mm x 90mm bolts (PN: 16-1510) with a 3/4" hardened flat washer (PN: 57-20757) on each bolt through the front holes of the tractor frame that line up with the front vertical holes of the U/C.
9. After all bolts are through the tractor frame and U/C, attach with a 3/4" heavy washer (PN: 57-3680) and a 20mm nut (PN: 70-20872-10). Verify that the rear of the U/C is firmly against the cross member. Tighten until frame is tight vertically.  
**NOTE: If your tractor is a quad tractor, continue with Step #10. If your tractor is a wheeled tractor, go to Step #11.**
10. For a quad tractor, attach the upper support arms (PN: 11-15140-R,L) to the U/C with 2 - 1" x 3-1/2" bolts (PN: 16-20564), 4 - 1" heavy duty flat washer (PN: 57-20819), and 2 - 1" nuts (PN: 70-20599) on each side of the U/C. Continue with Step #12.
11. For a wheeled tractor, attach the upper support arms (PN: 11-14548-R,L) to the U/C with 2 - 1" x 3-1/2" bolts (PN: 16-20564), 4 - 1" heavy duty flat washer (PN: 57-20819), and 2 - 1" nuts (PN: 70-20599) on each side of the U/C.
12. Attach the upper support arms to the tractor with a 1-1/4" x 3-1/2" bolt (PN: 16-20896) and 1-1/4" flat washer (PN: 57-11671) on each side.  
**NOTE: If your tractor is a quad tractor, continue with Step #13. If your tractor is a wheeled tractor, go to Step #16.**
13. Remove the 2 - 24mm bolts and spacers from front axle on the left and right side of the tractor. Discard the spacers.
14. Attach the quad yoke brackets (PN: 18-14550-R,L) to each side of the U/C with 6 - 1" x 2-1/2" bolts (PN: 16-20560) and a 1" x .375" thick washer (PN: 57-3682) on each bolt.
15. Dip the previously removed 24mm bolts in W30 oil and install the yoke brackets with the 24mm bolt and a heavy flat washer (PN: 57-20819) on each bolt. Continue with Step #18
16. Attach the wheeled side plates (PN: 44-14383) to each side of the U/C with 4 - 1" x 2" bolts (PN: 16-20558) and a 1" x .375" thick washer (PN: 57-3682) on each bolt.
17. Use a 2 - 1" x 3" (PN: 16-20562) with a 1" x .375" thick washer (PN: 57-3682) on each bolt. After the bolts are through the frame, attach with another 1" x .375" washer (PN: 57-3682) and 1" nut (PN: 70-20599) on each bolt.
18. Once all bolts have been installed, torque the front 20mm vertical bolts to 432 ft-lbs., the 1" bolts to 903 ft-lbs., the 1-1/4" bolts to 1,105 ft-lbs and the 24mm bolts (for quad tractor) to 555 ft-lbs.
19. After first 8 hours of use, re-torque all bolts.
20. Check all fasteners regularly to ensure proper operation of equipment.

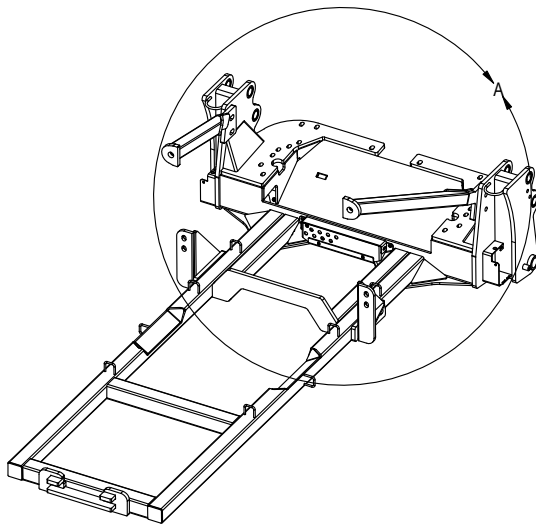


DETAIL A  
SCALE 1 : 17

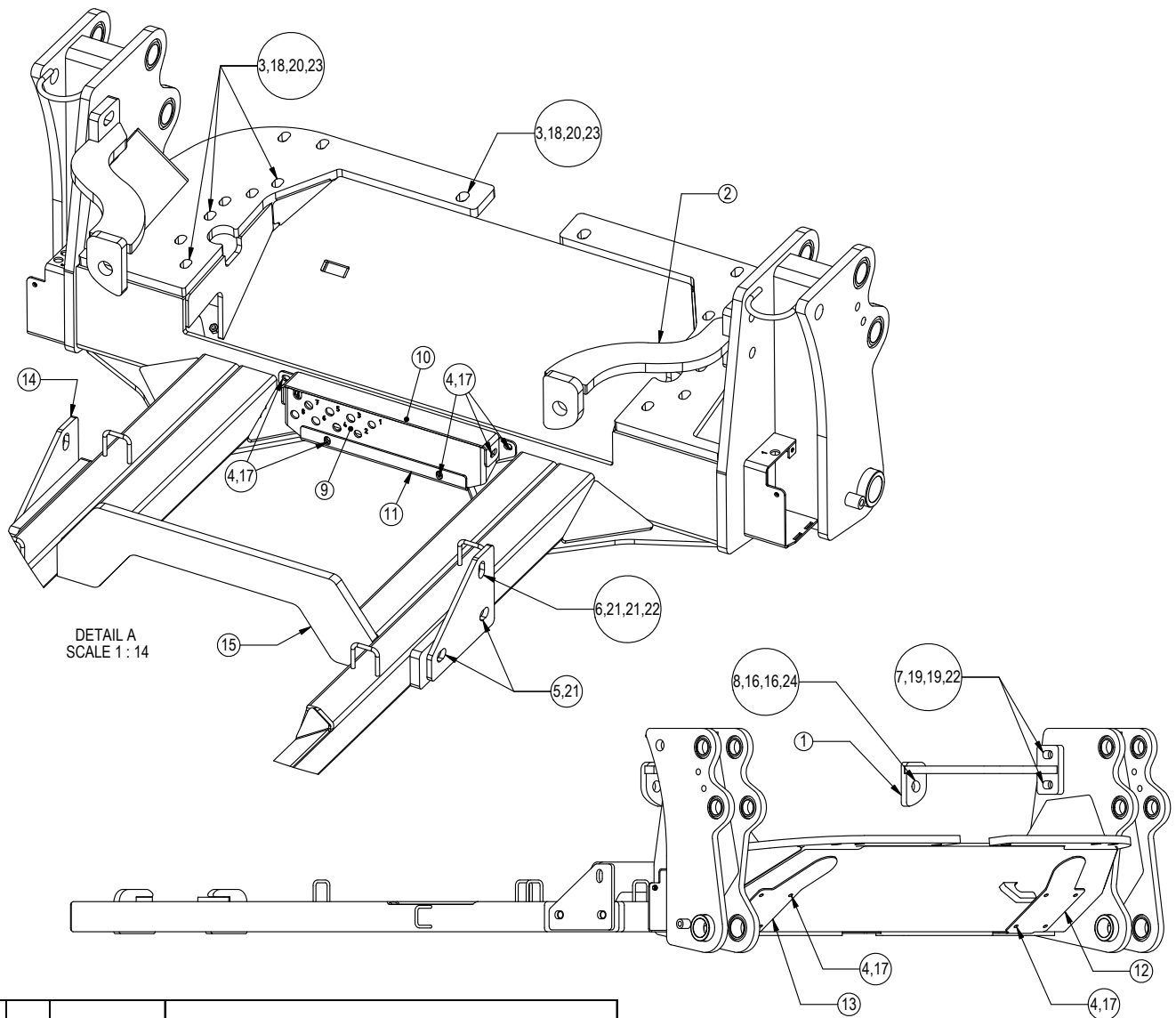


Reuse Original Bolts

Item No.	Qty.	Part No.	Description
1	1	11-15140-L	Upper Undercarriage Support Arm Left - Quad
2	1	11-15140-R	Upper Undercarriage Support Arm Right - Quad
3	8	16-1510	20mm x 2.5mm x 90mm Metric Hex Bolt Gr 10.9 ZC
4	16	16-20125	1/2" X 1 1/4" Hex Bolt Gr 5 NC
5	6	16-20560	1" X 2-1/2" Hex Bolt Gr 8 NC
6	4	16-20564	1" X 3-1/2" Hex Bolt Gr 8 NC
7	2	16-20896	1-1/4" x 3-1/2" Hex Bolt Gr 5 NC Zinc
8	1	18-14370	Bracket, Bulkhead - AG Wide Frame
9	1	18-14550-L	Steiger Quad Yoke Bracket - Left
10	1	18-14550-R	Steiger Quad Yoke Bracket - Right
11	1	44-14375	Plate, Top Bulkhead Cover - AG Wide Frame
12	1	44-14376	Plate, Bottom Bulkhead Cover - AG Wide Frame
13	1	44-14382-L	Plate, Bottom Cover Left - AG Wide Frame
14	1	44-14382-R	Plate, Bottom Cover Right - AG Wide Frame
15	1	54-14360	770 Steiger / T9 Large Frame Quad and Wheeled UC
16	2	57-11671	1-1/4" Flat Washer
17	16	57-20744	1/2" Flat Washer
18	8	57-20757	3/4" Hardened Flat Washer - 1-1/2" OD
19	12	57-20819	1" Flat Washer Heavy Duty Gr 8 (USS)
20	8	57-3680	2.00 OD X .75 ID x .375" Washer CZ Plated
21	6	57-3682	2.50 OD X 1.00" ID x .375" Washer CZ Plated
22	4	70-20599	1" Hex Nut Gr 8 NC
23	8	70-20872-10	20mm Hex Nut 2.5 Pitch Class 10 Zinc



TITLE:  
770 Steiger Quad UC Assy.



Item No.	Qty.	Part No.	Description
1	1	11-14548-L	Upper Undercarriage Support Arm Left , Wheeled
2	1	11-14548-R	Upper Undercarriage Support Arm Right, Wheeled
3	8	16-1510	20mm x 2.5mm x 90mm Metric Hex Bolt Gr 10.9 ZC
4	16	16-20125	1/2" X 1 1/4" Hex Bolt Gr 5 NC
5	4	16-20558	1" X 2" Hex Bolt Gr 8 NC
6	2	16-20562	1" X 3" Hex Bolt Gr 8 NC
7	4	16-20564	1" X 3-1/2" Hex Bolt Gr 8 NC
8	2	16-20896	1-1/4" x 3-1/2" Hex Bolt Gr 5 NC Zinc
9	1	18-14370	Bracket, Bulkhead - AG Wide Frame
10	1	44-14375	Plate, Top Bulkhead Cover - AG Wide Frame
11	1	44-14376	Plate, Bottom Bulkhead Cover - AG Wide Frame
12	1	44-14382-L	Plate, Bottom Cover Left - AG Wide Frame
13	1	44-14382-R	Plate, Bottom Cover Right - AG Wide Frame
14	2	44-14383	770 Steiger / T9 Large Frame Wheeled Side Plate
15	1	54-14360	770 Steiger / T9 Large Frame Quad and Wheeled UC
16	4	57-11671	1-1/4" Flat Washer
17	16	57-20744	1/2" Flat Washer
18	8	57-20757	3/4" Hardened Flat Washer - 1-1/2" OD
19	8	57-20819	1" Flat Washer Heavy Duty Gr 8 (USS)
20	8	57-3680	2.00 OD X .75 ID x .375" Washer CZ Plated
21	8	57-3682	2.50 OD X 1.00" ID x .375" Washer CZ Plated
22	6	70-20599	1" Hex Nut Gr 8 NC
23	8	70-20872-10	20mm Hex Nut 2.5 Pitch Class 10 Zinc
24	2	70-20981	1-1/4" Hex Nut Gr 5 NC

TITLE: 770 Steiger / T9  
Wheeled UC Assy.

# Assembling Lift Components

---

---

Now that the undercarriage is installed, some assembly of components is necessary. Follow the steps listed below. Refer to Page 7 for the correct hardware and orientation of parts.

1. Remove all pins on each side of the undercarriage.
2. Position the lift frame between the two plates on both sides of the undercarriage.
3. Align the lift frame to the bottom holes of the undercarriage and attach with the proper pins and hardware.
4. Lift the end of the cylinders up and attach to the undercarriage with the proper pins and hardware.
5. Attach the top arms to the top of the undercarriage with the proper pins and hardware.
6. Remove the male quick attaches that are in the female quicks on the blade, angle frame, or tilt frame.
7. Attach the male quick attaches to the lift frame and top arms with the proper pins and hardware.
8. If the quick couplers and coupler mount are not already attached to the left top arm, attach the coupler mount to the left top arm with 4 - 3/8" flange nuts. See Page 22 for proper orientation.
9. Take the lift hoses that are already attached to the furthest forward fittings on the left and right side of the undercarriage and attach them to the lift cylinders.

**Note: For Step #10-15, refer to Page 22-25 for further information on hose routing and hose positions. The amount and location of the female couplers is determined by functions the blade is set up for. All brackets and hoses are labeled. The hoses and steel lines should follow the same number from the coupler mount to the back of the tractor.**

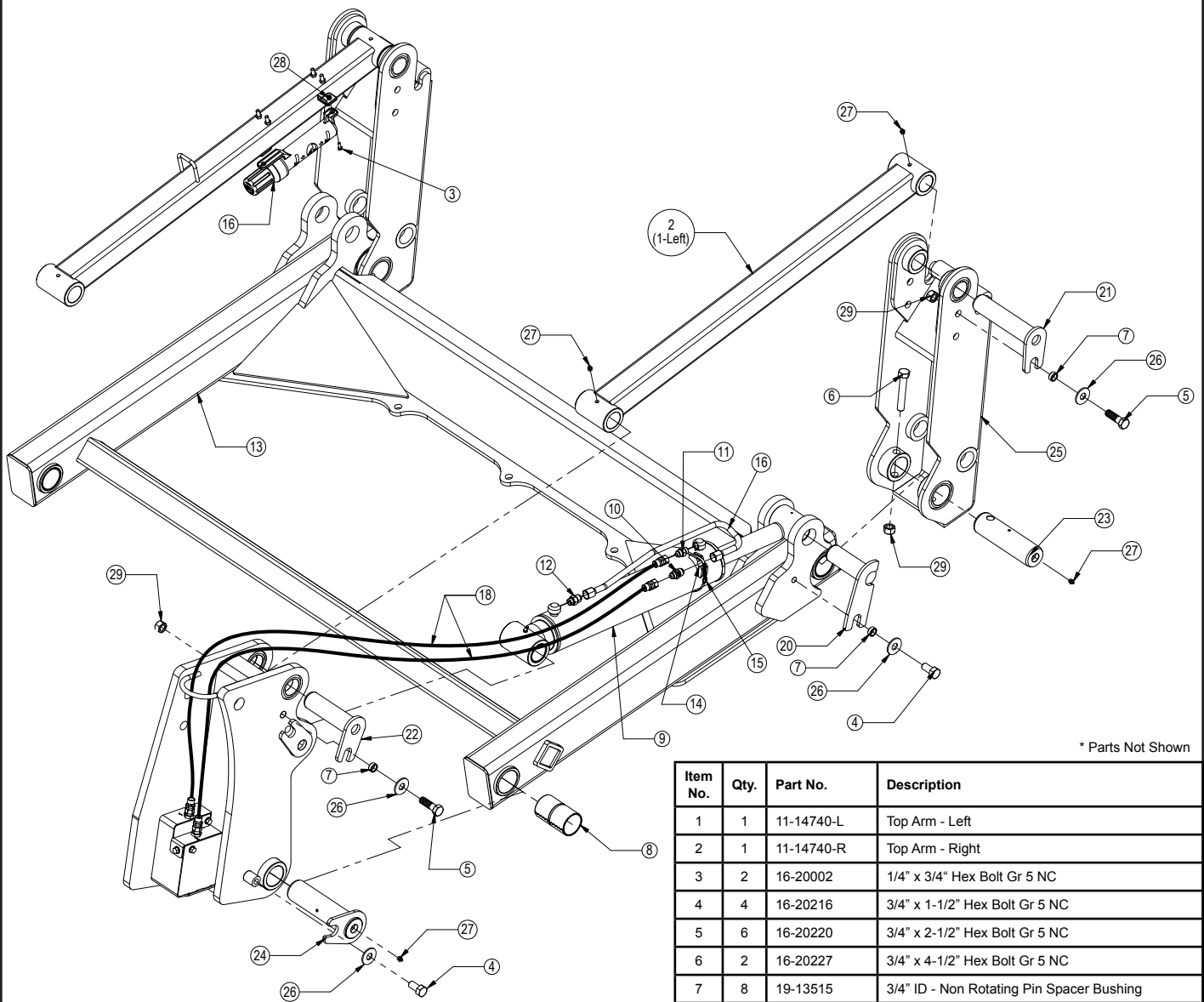
10. Run the remaining hoses thru the hose loop on the top arm and attach a 90° fitting to all the hoses.
11. Install a female quick coupler onto each 90° fitting from the previous step.
12. Install each coupler into the designated hole on the coupler mount and hold them in place with the coupler retainer plate, 3/8" x 3/4" bolts and 3/8" flange nuts.
13. Take the long hoses and attach each one to their designated fitting at the center of the undercarriage.
14. Route the hoses thru the hose loops on the undercarriage.
15. Continue to route the hoses thru the tractor. Keep away from all moving parts. Refer to Page 8 for hose routing.
16. If applicable, attach the wire harness to the coupler mount on the top arm with 1/4" bolts and 1/4" nuts. Run the other end of the wire harness up into the cab of the tractor.
17. Locate the fused power supply. Connect the red wire to power and the black to ground. Attach the 2-lever plug to the wire harness or install provided switch into an open switch hole in the right overhead console or another convenient place in the tractor. Connect the wire harness to the switch.
18. Move the pin puller handle on the left side of the blade assembly towards the center of the blade to open the quick attach system. Refer to Page #14-15 for further clarification on the quick attach system.
19. Tilt the male quick attaches forward slightly.
20. Drive the tractor forward slowly until the top edge of the male quick attach is under the top lip of the female quick attach already on the blade assembly.
21. Tilt the male quick attaches backward till the blade is off the ground and the female quick attaches are against the front of the male quick attaches.
22. Shut off machine and set the parking brake.
23. Pull the pin puller handle towards the outside of the blade to lock the blade in place and use the latch to lock the handle in place. If applicable, turn up the blade stands on the blade.
24. Plug the male couplers into the female couplers on the top arm. If applicable, plug the male blade break away end of the wire harness into the female blade break away end of the wire harness on the top arm.
25. Refer to Page #27 for clarification on the wire harness ends.

## Initial System Startup

---

---

Start the tractor and run the blade thru all the functions. If any function does not work properly, bleeding of the system may be required. If problem still persists, call Grouser Products.



Item No.	Qty.	Part No.	Description
1	1	11-14740-L	Top Arm - Left
2	1	11-14740-R	Top Arm - Right
3	2	16-20002	1/4" x 3/4" Hex Bolt Gr 5 NC
4	4	16-20216	3/4" x 1-1/2" Hex Bolt Gr 5 NC
5	6	16-20220	3/4" x 2-1/2" Hex Bolt Gr 5 NC
6	2	16-20227	3/4" x 4-1/2" Hex Bolt Gr 5 NC
7	8	19-13515	3/4" ID - Non Rotating Pin Spacer Bushing
8	4	19-13525	2.75 x 2.50 x 4.75 Spring Bushing
9	2	26-34738	4x20 Long Cylinder - Bushed Tube Ends (647267)
10	2	31-11699-10-8	JIC Union (2403-10-8)
11	2	31-34040	Straight JIC x O-Ring (6400-8-8)
12	2	31-6400-10-8	Straight JIC x O-Ring (6400-10-8)
13	1	32-14900	770 Low Obstruction Lift Frame
14	2	34-12932	Cylinder Saddle (ZR518)
15	2	34-12933	Hose Clamp
16	1	34-14961	Manual Canister
17	2	35-12931	Formed Steel Line (Lift Cylinder)
18	4	35-30130	63" x 1/2" -8JIC/-8JIC Hose
19*	1	43-12929-L	Pin Weld - Long Ear (Lift Cyl. / Lift Frame) - Left
20	1	43-12929-R	Pin Weld - Long Ear (Lift Cyl. / Lift Frame) - Right
21	2	43-13478	Pin Weld (Top Arm / QA)
22	4	43-13482	Pin Weld (Top Arm / UC & Lift Cyl. / UC)
23	2	43-14720	Pin (Lift Frame / QA)
24	2	43-14725	Pin Weld (Lift Frame / UC)
25	2	45-12175	700 Series Male Quick Attach
26	10	57-20747	3/4" Flat Washer
27	8	58-9369	Grease Zerk 1/8" NPT Straight
28	2	70-20580	1/4" Hex Nut Gr 5 NC
29	8	70-20607	3/4" Hex Center Lock Nut Gr 2 NC

NOTE: When ordering cylinder seal kits, the part number on the cylinder is needed. The number is stamped on the base end of the cylinder opposite of the hydraulic ports.

No. On Cylinder	Part No.	Description
26-34738	49-12272	Seal Kit 4" Bore x 2" Rod (647204) Nitrided Rod

# Hose Routing

**Note: Installer is responsible to route hoses in a practical manner. The hoses need to be routed away from sharp corners and moving parts and need to be secure.**



1. Route the hoses from the bulkhead fittings at the middle of the undercarriage thru all the hose loops on the undercarriage. Once at the end of the undercarriage route the hoses up along the tractor frame following any of the tractor's hoses while still staying away from any sharp corners and moving parts.



2. While still following the tractor's hoses, keep the dozer hoses above the pivot point and at the center. Enter the rear frame and route the hoses thru the hose loops along the inside of the frame.



**NOTE: These pictures only show 1 set of hydraulic hoses. The same applies for any number of hoses. Hoses can be routed on the left and/or right sides of the tractor frames.**

3. Exit thru the rear frame as shown in the picture. Install a 90° and a male coupler at the end of each hose. Plug each coupler into a rear SCV. As an example, keep both lift hoses together on one section. Refer to hydraulic schematics on Page 29 or 30 for further information.

4. After all hoses are routed, group hoses together and secure with zip ties. Use the heavy duty zip ties for securing the hoses that are routed thru the tractor frame. See the pictures above for an example.

5. Return to Page 6 and continue the installation with Step #16.



# Electric Hydraulic Angle System Operating Instructions

If your Grouser blade was purchased with the Electric Hydraulic Angle Option, you will have the ability to angle the blade 30 degrees left or right. To achieve these angles, the two cylinders are designed to operate independently of each other through an electric diverter valve. To angle the blade to the left, actuate the tractor hydraulic control lever in the cab with the diverter valve un-powered. Then fully retract. To angle the blade to the right, apply power to the diverter valve and then actuate the tractor hydraulic control lever. Always retract cylinders fully prior to switching functions. If a cylinder fails to retract fully, clear any possible obstruction.

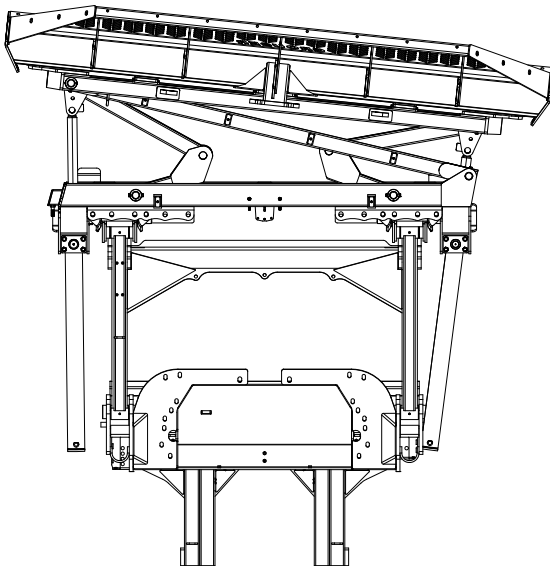
## 2-Lever Angle System Operating Instructions

If your Grouser blade was purchased with the 2-Lever Hydraulic Angle Option, you will have the ability to angle the blade 30 degrees left or right. To achieve these angles, the two cylinders are designed to operate independently of each other with the use of 2 tractor hydraulic control levers and a 2-lever angle valve. To angle the blade to the left or right, actuate the tractor hydraulic control lever corresponding to the left or right cylinder. Only one cylinder can be extended at a time.

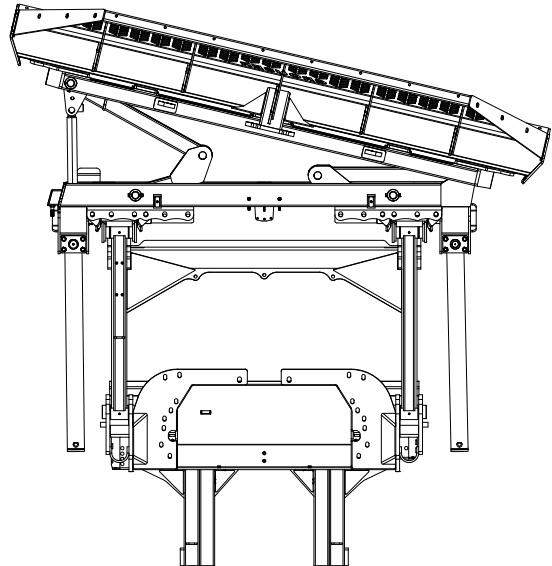
**CAUTION: Do not bypass the hydraulic valve and plumb each cylinder to separate valves on the tractor.**

To ensure proper use and life of equipment, it is recommended to have both cylinders closed for straight ahead dozing and only one cylinder partially or fully extended for angled dozing as shown in the diagrams below. **If the angle system is not used correctly, damage may occur.**

**Please contact Grouser Products with any questions by:**  
Phone - 701-282-7710 or 800-747-6182; Fax - 701-282-8131



**INCORRECT**



**CORRECT**

(Left or Right)

## Angle Position Sensor Adjustment

The angle position sensor is set from the factory. If the system does not function correctly, verify the gap between the sensor and the plate and the position of the sensor. If any adjustments are necessary, follow the instructions below.

With cylinder retracted, verify that the proximity sensor is in the center of the plate that is on the cylinder end. To adjust the spacing between the plate the sensor, loosen one of the nuts and turn the other nut till the spacing between the plate and the sensor is between 3/16" and 3/8". Once the correct spacing is achieved, tighten the locking nut.

# Skid Shoe and Tilt Plate Adjustment

## Skid Shoe Adjustment:

1. Raise and secure blade to access skid shoe bolts and nuts.
2. Loosen nuts and set skid shoe depth by sliding the shoe back and forth in direction 'A' shown in Figure 1.
3. Once the depth is set, tighten bolts to 150 ft-lbs.
4. When skid shoes are worn down, replace with new skid shoes.

## Tilt Plate Adjustment:

1. Remove bolts and tilt plates.
- Note: Don't remove all of the bolts at the same time.
2. Add or remove washers as needed to adjust tilt-way clearance to have 1/16" - 1/8" of clearance in direction 'B' shown in Figure 1.
  3. Once the tilt-way clearance is set, tighten bolts to 640 ft-lbs.

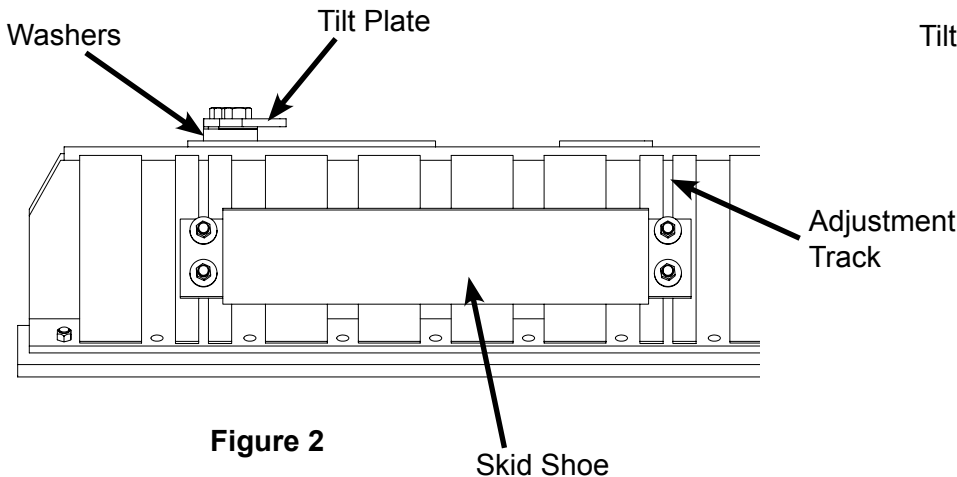


Figure 2

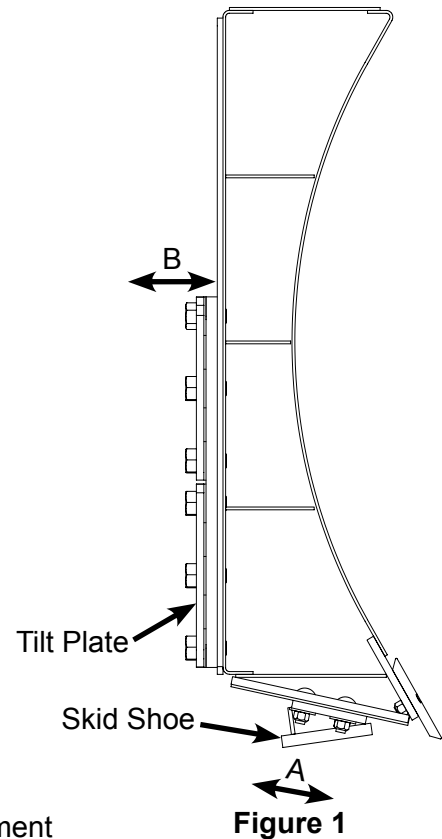


Figure 1

## Torque Specifications

All bolts should be tightened to the specifications that are stated. If specifications are not stated, follow torque charts below.

Size	Torque - Dry (ft-lbs)			
	SAE Grade 5		SAE Grade 8	
	UNC	UNF	UNC	UNF
5/16	17	19	24	27
3/8	30	35	45	50
7/16	50	55	70	80
1/2	75	85	110	120
9/16	110	120	150	170
5/8	150	170	210	240
3/4	260	300	380	420
7/8	430	470	600	670
1	640	720	910	1020

Size	Torque - Dry (ft-lbs)
Grade 10.9	
M18 x 2.50	284
M20 x 2.50	401
M22 x 2.50	547
M24 x 3.00	694

# Maintenance

---

---

**Due to the harsh environment many of our equipment operates in, the following tasks should be performed every 10 hours or less.**

- Inspect all equipment before operation for existing or potential damages.
- Lubricate all joints with high quality grease.
- Inspect and tighten all bolts to torque specifications on page 10.
- Check replaceable cutting edge for wear ensuring there is enough material to prevent permanent damage to the blade.
- Make sure all non-rotating pins are secured properly.
- Check hydraulic cylinders and hoses for damage or leaks. For replacement parts, see hydraulic pages for your specific system.
- Check skid shoes for wear and replace if necessary. For adjustment, see page 10.
- Inspect all tilt-ways for aggressive wear. See page 10 for tilt plate adjustment.

## Safety Precautions

---

---

A careful operator is the best operator. Most accidents can be avoided by observing certain precautions. To help prevent accidents, read and take the following precautions before operating this equipment. In addition to these precautions, please follow all safety and operational instructions of your tractor manufacturer.

### **The Dozer:**

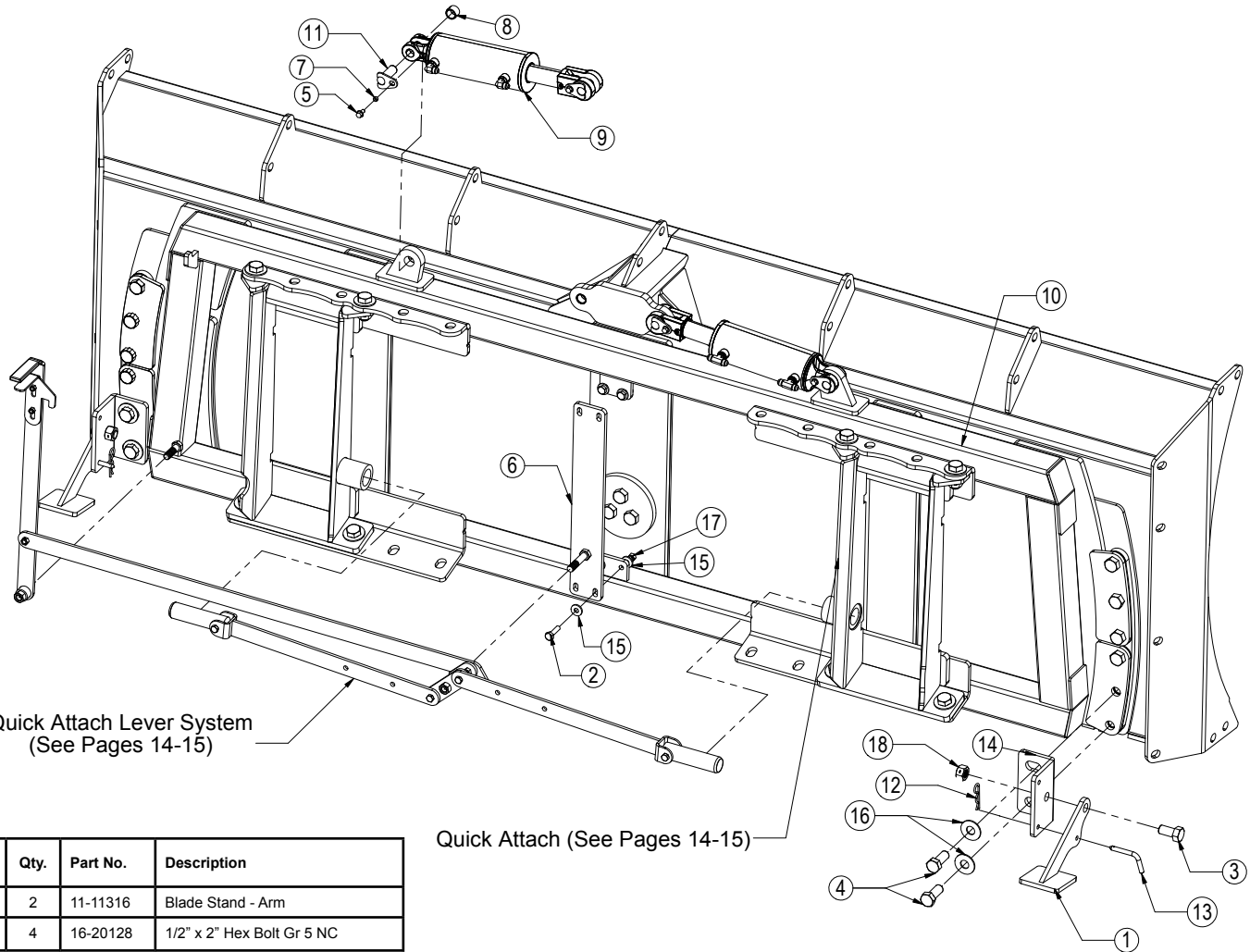
1. The 770 Dozer should be operated only by those who are responsible and instructed to do so.
2. Read the owner's manual carefully before using this equipment. Lack of operating knowledge can lead to accidents.
3. Keep the dozer maintained in reliable and satisfactory condition to ensure your safety.
4. Make sure the area is clear of people before moving any equipment.
5. Do not modify or permit anyone else to modify or alter the equipment and its components without first consulting Grouser Products.

### **Servicing the Dozer:**

1. Read and follow all safety instructions provided by the tractor manufacturer.
2. Always use proper personal safety gear when performing maintenance on equipment.
3. Before servicing, relieve hydraulic pressure, stop engine and fully engage parking brake.
4. Escaping hydraulic fluid under pressure can penetrate skin causing serious injury. If fluid is injected into skin, obtain medical attention immediately.
  - DO NOT use your hand to check for leaks. Use a piece of cardboard or paper to search for leaks.
  - Stop the engine and relieve pressure before connecting or disconnecting lines.
  - Tighten all connections before starting the engine or pressurizing lines.

### **Storing the Dozer:**

1. Thoroughly clean the dozer before storage. Use paint where necessary to prevent rust.
2. Check the dozer for worn or damaged parts. Install new parts as required.
3. Lubricate all pins and joints.

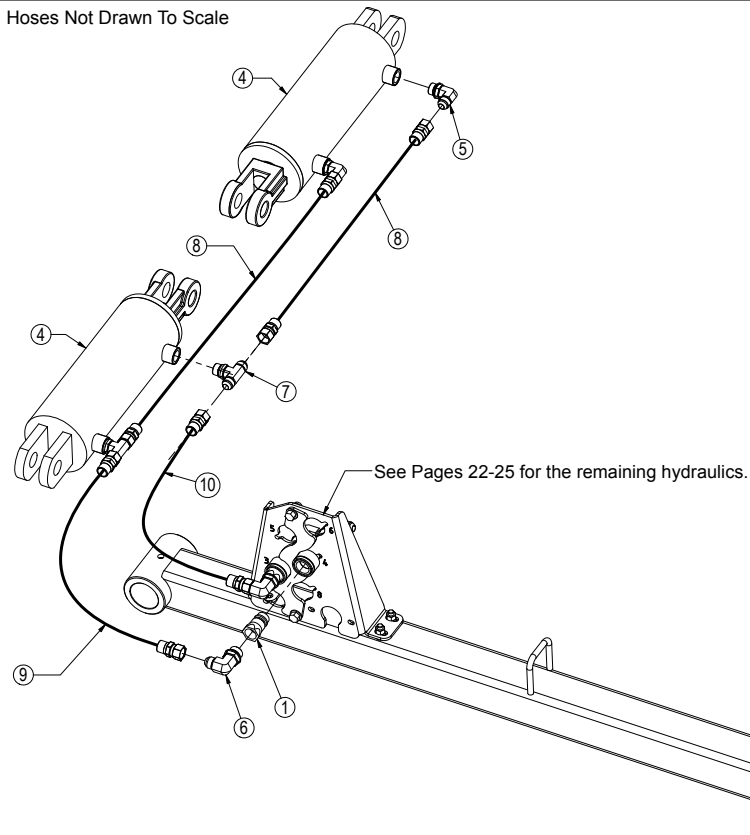


Quick Attach Lever System  
(See Pages 14-15)

Quick Attach (See Pages 14-15)

Item No.	Qty.	Part No.	Description
1	2	11-11316	Blade Stand - Arm
2	4	16-20128	1/2" x 2" Hex Bolt Gr 5 NC
3	2	16-20558	1" x 2" Hex Bolt Gr 8 NC
4	4	16-20564	1" x 3-1/2" Hex Bolt Gr 8 NC
5	4	16-35C612	3/8" x 3/4" Flanged Bolt
6	1	18-14658	NAXT Center Bracket
7	4	19-13577	NR Pin Spacer Clevis End
8	2	19-7774	1" x 1" Spring Bushing
9	2	26-34711	4 x 8 Cylinder w/ Cast Clevis Ends
10	1	32-14560	NAHT Tilt Frame
11	4	43-13580	1" Clevis Bolt In Pin
12	2	43-7767	Hitch Clip Pin
13	2	43-9582	Bent Claw Pin
14	2	44-11315	Blade Stand - Plate
15	8	57-20744	1/2" Flat Washer
16	4	57-20749	1" Flat Washer
17	4	70-20604	1/2" Hex Center Lock Nut Gr 2 NC
18	2	70-20609	1" Hex Center Lock Nut Gr 2 NC

Hoses Not Drawn To Scale

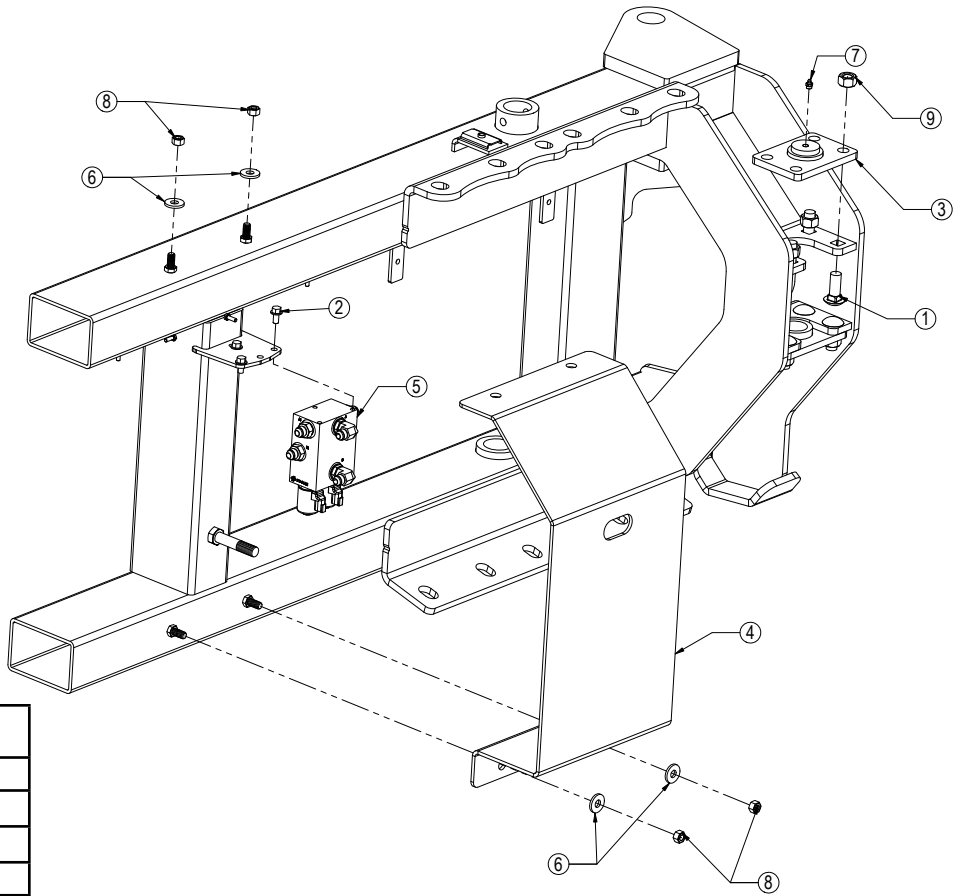


Item No.	Qty.	Part No.	Description
1	2	25-34322	Tappet Quick Coupler Male
2*	2	25-3453	Pioneer Dust Cap Tilt (Green)
3*	2	25-3454	Pioneer Dust Plug Tilt (Green)
4	2	26-34711	4 x 8 Cylinder W/ Cast Clevis Ends
5	2	31-34050	Straight Thread Elbow 90° JIC x O-Ring (6801-8-8)
6	2	31-34051	Straight Thread Elbow 90° JIC x O-Ring (6801-8-10)
7	2	31-34060	Branch Tee JIC x O-Ring (6803-8-8-8)
8	2	35-30022	39" x 3/8" -8JIC/-8JIC Hose
9	1	35-30121	35" x 1/2" -8JIC/-8JIC Hose
10	1	35-30125	48" x 1/2" -8JIC/-8JIC Hose

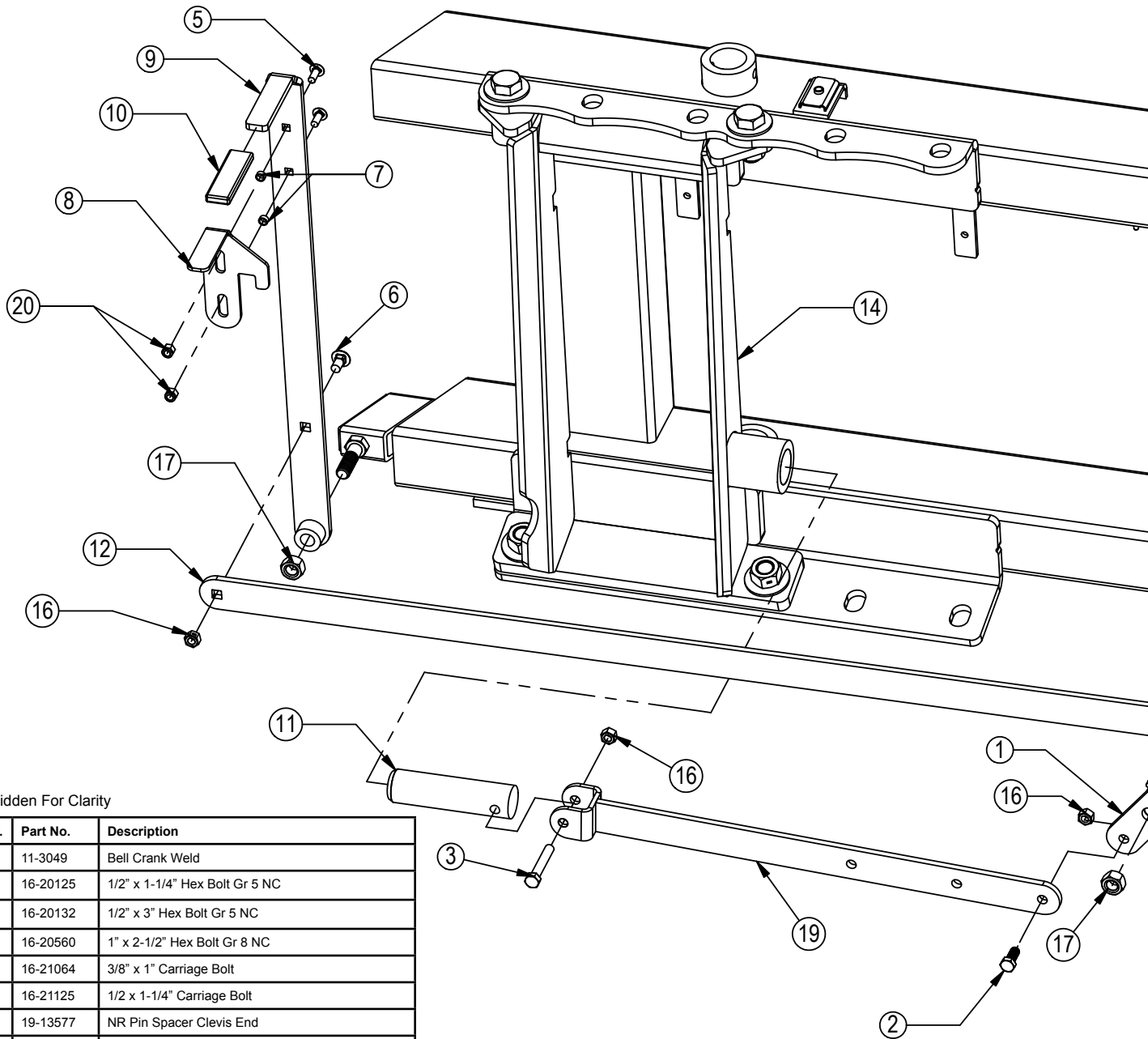
\* Parts Not Shown

NOTE: When ordering cylinder seal kits, the part number on the cylinder is needed. The number is stamped on the base end of the cylinder opposite of the hydraulic ports.

No. On Cylinder	Part No.	Description
26-34711	49-12271	Seal Kit 4 x 8 (647135) Nitrided Rod, Clevis Ends

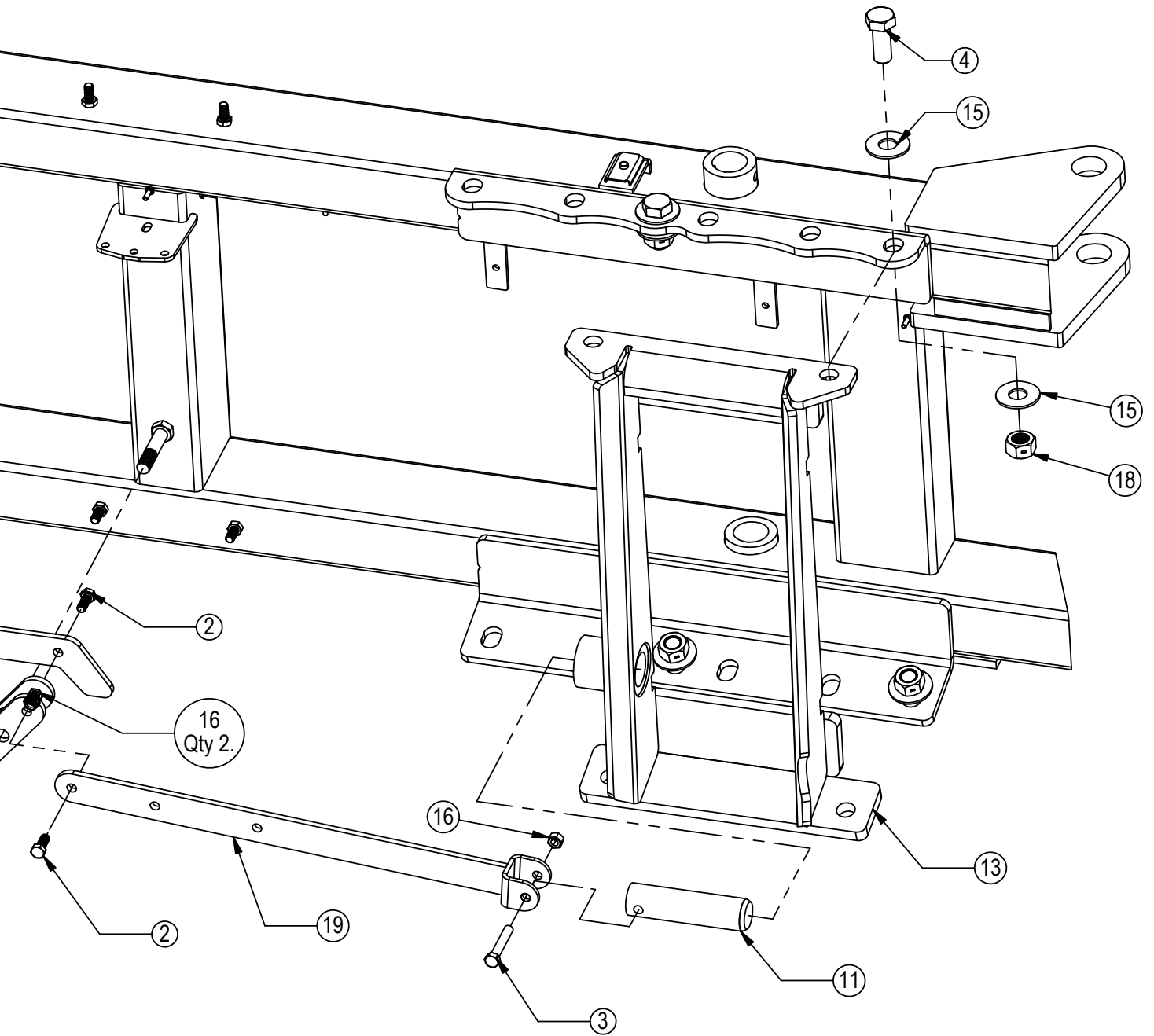


Item No.	Qty.	Part No.	Description
1	16	16-21218	3/4" x 2" Carriage Bolt Gr 5 NC
2	3	16-35C612	3/8" x 3/4" Flanged Bolt
3	4	18-14670	770- Trunnion Mount Bracket
4	1	18-1701	AG Pro Hydraulic Valve Cover
5	1	56-14680	Logic Hydraulic Angle Valve
6	4	57-20744	1/2" Flat Washer
7	4	58-9369	Grease Zerk 1/8" NPT Straight
8	4	70-20604	1/2" Hex Center Lock Nut Gr 2 NC
9	16	70-20607	3/4" Hex Center Lock Nut Gr 2 NC



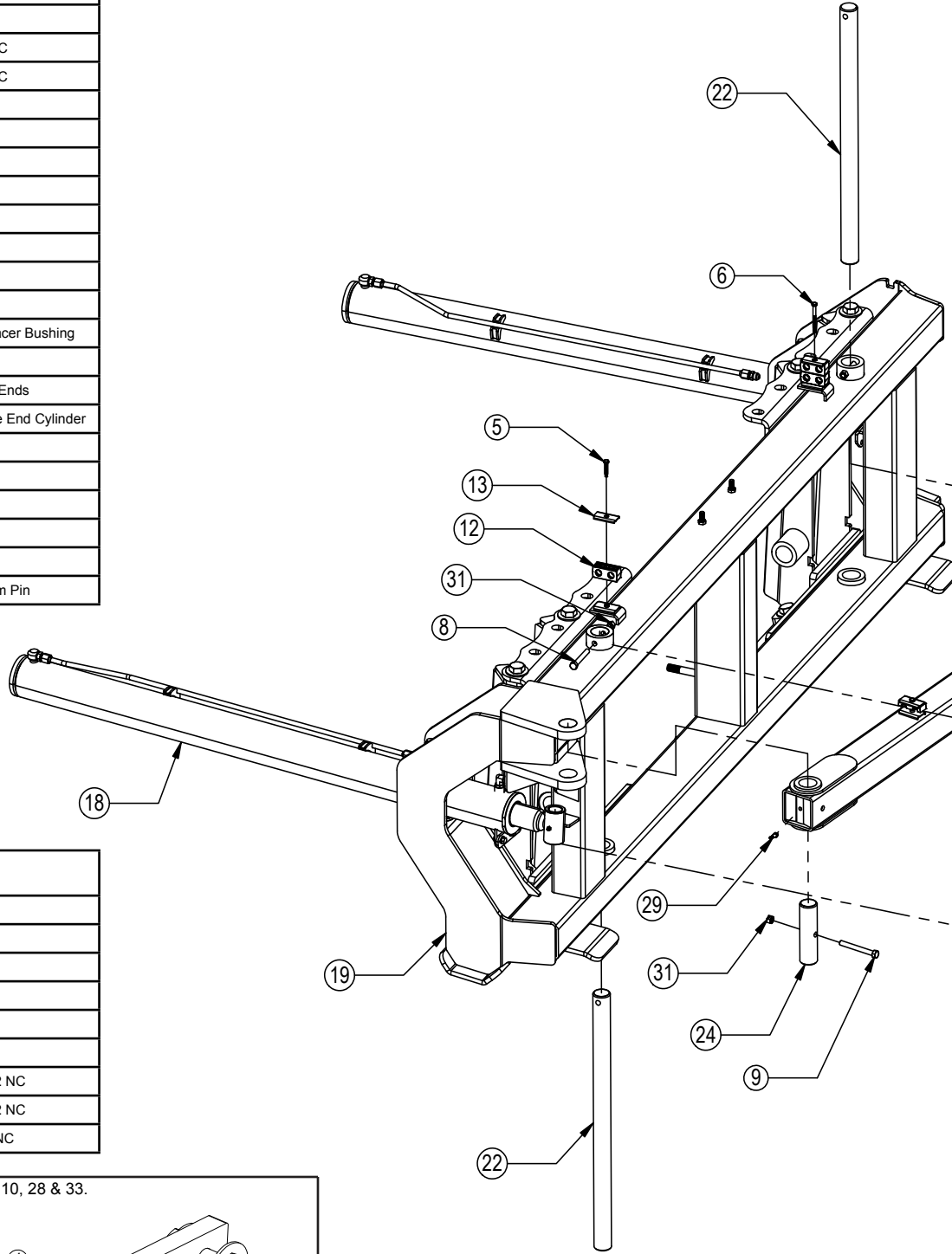
Some Parts Hidden For Clarity

Item No.	Qty.	Part No.	Description
1	1	11-3049	Bell Crank Weld
2	3	16-20125	1/2" x 1-1/4" Hex Bolt Gr 5 NC
3	2	16-20132	1/2" x 3" Hex Bolt Gr 5 NC
4	8	16-20560	1" x 2-1/2" Hex Bolt Gr 8 NC
5	2	16-21064	3/8" x 1" Carriage Bolt
6	1	16-21125	1/2 x 1-1/4" Carriage Bolt
7	2	19-13577	NR Pin Spacer Clevis End
8	1	39-14663	AG Pro Pin Puller Latch
9	1	39-14665	AG Pro Pin Puller Handle Weld
10	1	39-3072	Handle Cover (Orange)
11	2	43-3050	QA Lock Pin
12	1	44-14662	AG Pro Pin Puller Link Plate
13	1	45-14710-R	AG Pro Female Vertical Bolt On Quick Attach, Right
14	1	45-14710-L	AG Pro Female Vertical Bolt On Quick Attach, Left
15	16	57-20819	1" Flat Washer Heavy Duty Gr 8 (USS)
16	6	70-20604	1/2" Hex Center Lock Nut Gr 2 NC
17	2	70-20607	3/4" Hex Center Lock Nut Gr 2 NC
18	8	70-20609	1" Hex Center Lock Nut Gr 2 NC
19	2	75-14655	AG Pro Pin Puller Link Weld
20	2	70-20622	3/8" Flange Nut



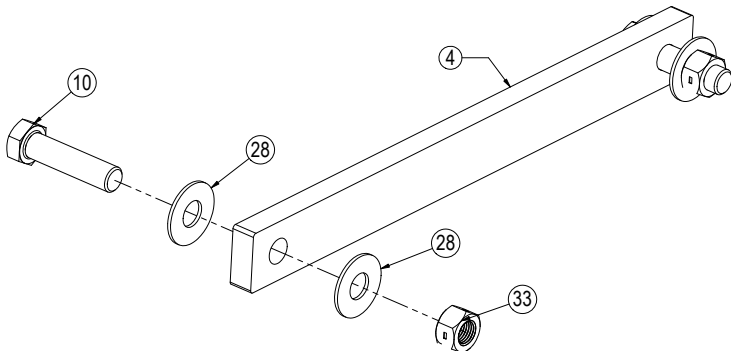
**Hydraulic Angle - Hydraulic Tilt Or Hydraulic Angle - No Tilt**

Item No.	Qty.	Part No.	Description
1	1	11-14640-L	770 Series Angle Arm Left
2	1	11-14640-R	770 Series Angle Arm Right
3	1	11-14650	770 Series Stabilizer Arm
4	1	14-9366	Non Tilt Bar
5	5	16-20036	5/16" x 1-1/2" Hex Bolt Gr 5 NC
6	1	16-20043	5/16" x 3-1/4" Hex Bolt Gr 5 NC
7	2	16-20220	3/4" x 2-1/2" Hex Bolt Gr 5 NC
8	2	16-20424	1/2" x 3-1/2" Hex Bolt Gr 8 NC
9	3	16-20427	1/2" x 4-1/2" Hex Bolt Gr 8 NC
10	2	16-20564	1" x 3-1/2" Hex Bolt Gr 8 NC
11	4	16-35C612	3/8" x 3/4" Flanged Bolt
12	5	18-3074	Hose Hold Down Clamp
13	6	18-3075	Hose Hold Down Clamp Plate
14	2	19-7774	1" x 1" Spring Bushing
15	2	19-13515	3/4" ID - Non Rotating Pin Spacer Bushing
16	4	19-13577	NR Pin Spacer Clevis End
17	2	26-34711	4 x 8 Cylinder W/ Cast Clevis Ends
18	2	26-34739	4 x 55 Trunnion Mounted Tube End Cylinder
19	1	32-14610	770 Angle Frame
20	1	32-14620	770 HA Tilt Frame
21	1	43-8130	1-15/16" x 23-1/4" Pin
22	2	43-8131	1-15/16" x 31" Pin
23	1	43-8132	1-15/16" x 35-1/2" Pin
24	1	43-8133	1-15/16" x 7-1/8" Stabilizer Arm Pin

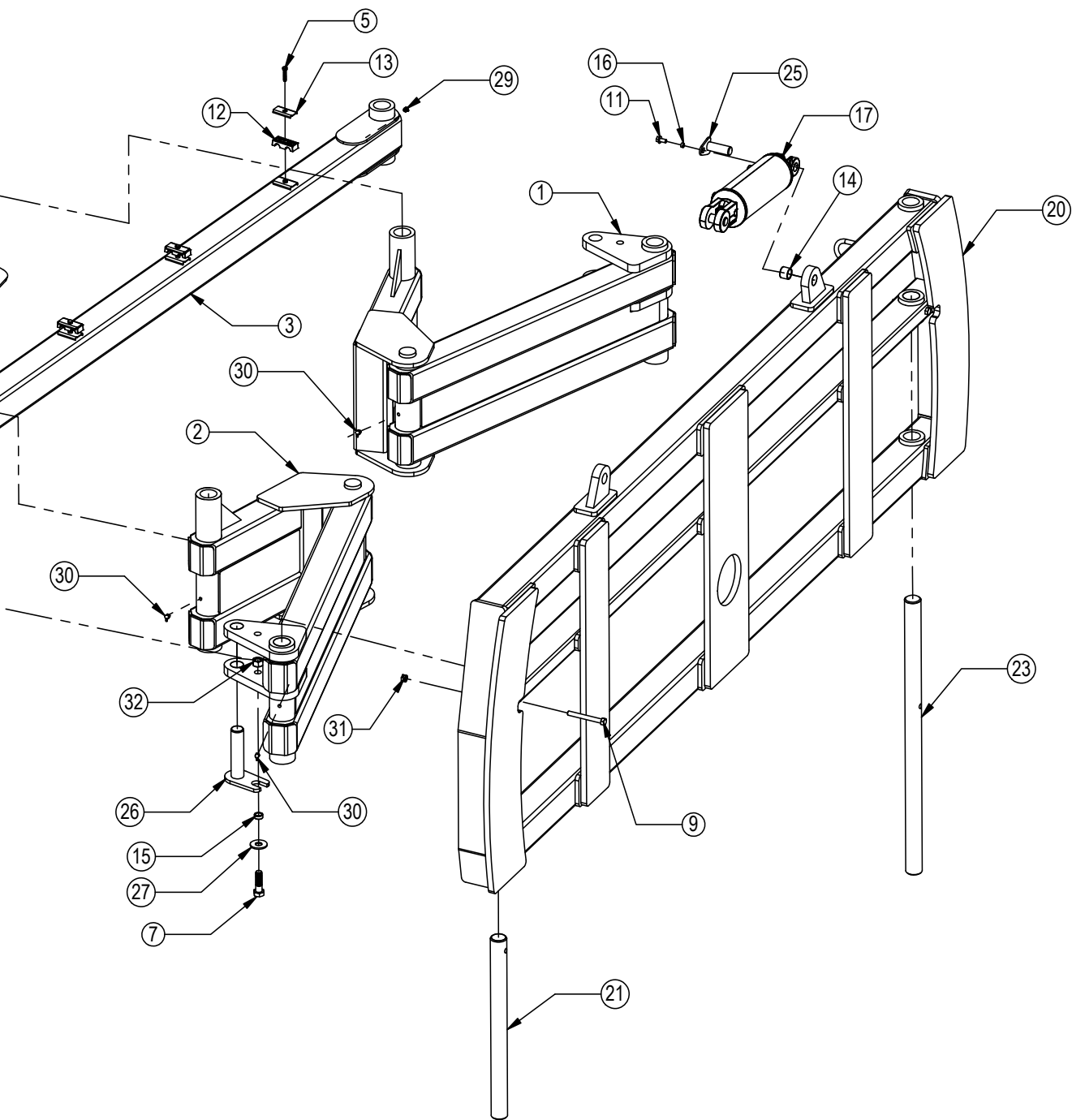


Item No.	Qty.	Part No.	Description
25	4	43-13580	1" Clevis Bolt In Pin
26	2	43-14653	770 Angle Cylinder Pin
27	2	57-20747	3/4" Flat Washer
28	4	57-20749	1" Flat Washer
29	2	58-9371	Grease Zerk 1/8" NPT 45°
30	6	58-9372	Grease Zerk 1/8" NPT 90°
31	5	70-20604	1/2" Hex Center Lock Nut Gr 2 NC
32	2	70-20607	3/4" Hex Center Lock Nut Gr 2 NC
33	2	70-20609	1" Hex Center Lock Nut Gr 2 NC

HANT - Replace item # 11, 16, 17 & 25 with item # 4, 10, 28 & 33.

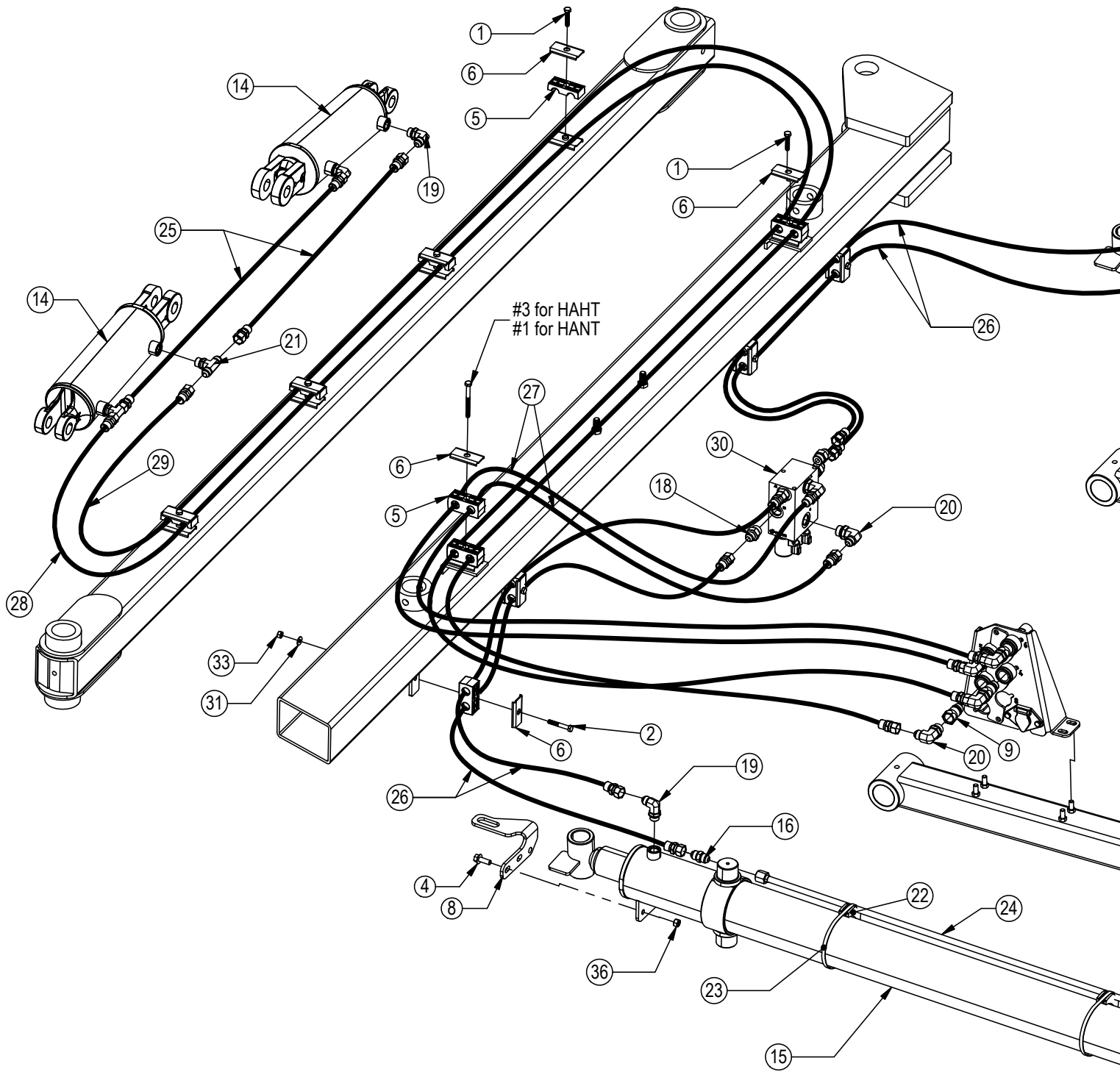






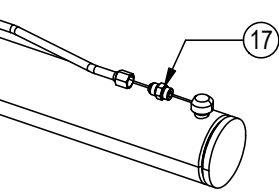
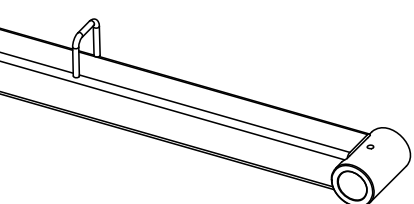
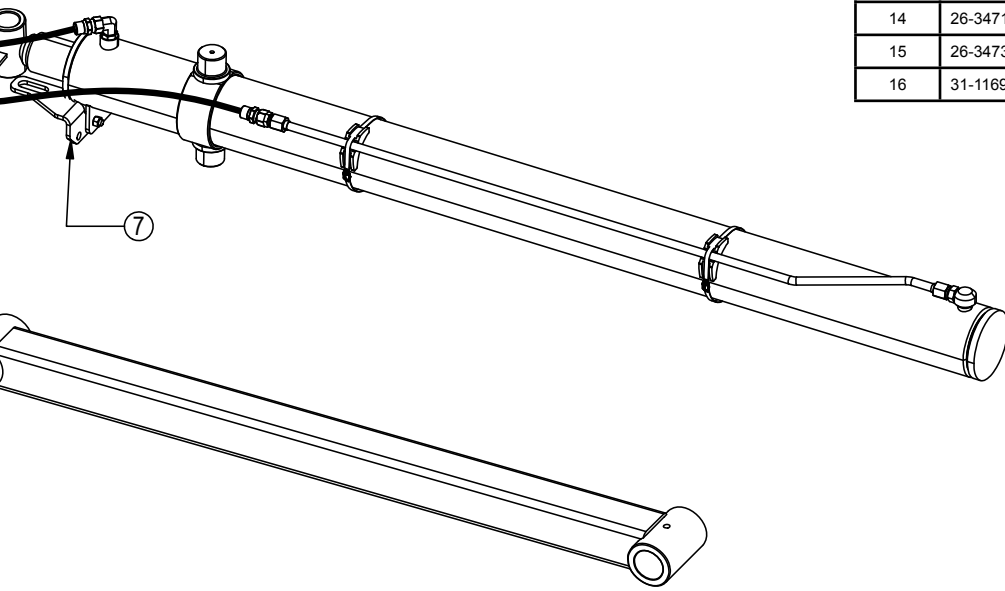
**Hydraulic Angle - Hydraulic Tilt Or Hydraulic Angle - No Tilt Hose Routing**

Hoses Not Drawn To Scale



		Configuration	HAHT	HANT
Item No.	Part No.	Description	Qty.	Qty.
1	16-20036	5/16" x 1-1/2" Hex Bolt Gr 5 NC	5	1
2	16-20038	5/16" x 2" Hex Bolt Gr 5 NC	4	4
3	16-20043	5/16" x 3-1/4" Hex Bolt Gr 5 NC	1	-
4	16-35C616	3/8" x 1" Flanged Bolt	4	4
5	18-3074	Hose Hold Down Clamp	9	5
6	18-3075	Hose Hold Down Clamp Plate	10	5
7	18-14684-R	Switch Mount Bracket - Right	1	1
8	18-14684-L	Switch Mount Bracket - Left	1	1
9	25-34322	Tappet Quick Coupler Male	4	2
10*	25-3453	Pioneer Dust Cap Tilt (Green)	2	-
11*	25-3454	Pioneer Dust Plug Tilt (Green)	2	-
12*	25-3455	Pioneer Dust Cap Angle (Red)	2	2
13*	25-3456	Pioneer Dust Plug Angle (Red)	2	2
14	26-34711	4 x 8 Cylinder W/ Cast Clevis Ends	2	-
15	26-34739	4 x 55 Trunnion Mounted Tube End Cylinder	2	2
16	31-11699-8-8	JIC Union (2403-8-8)	2	2

\* Parts Not Shown



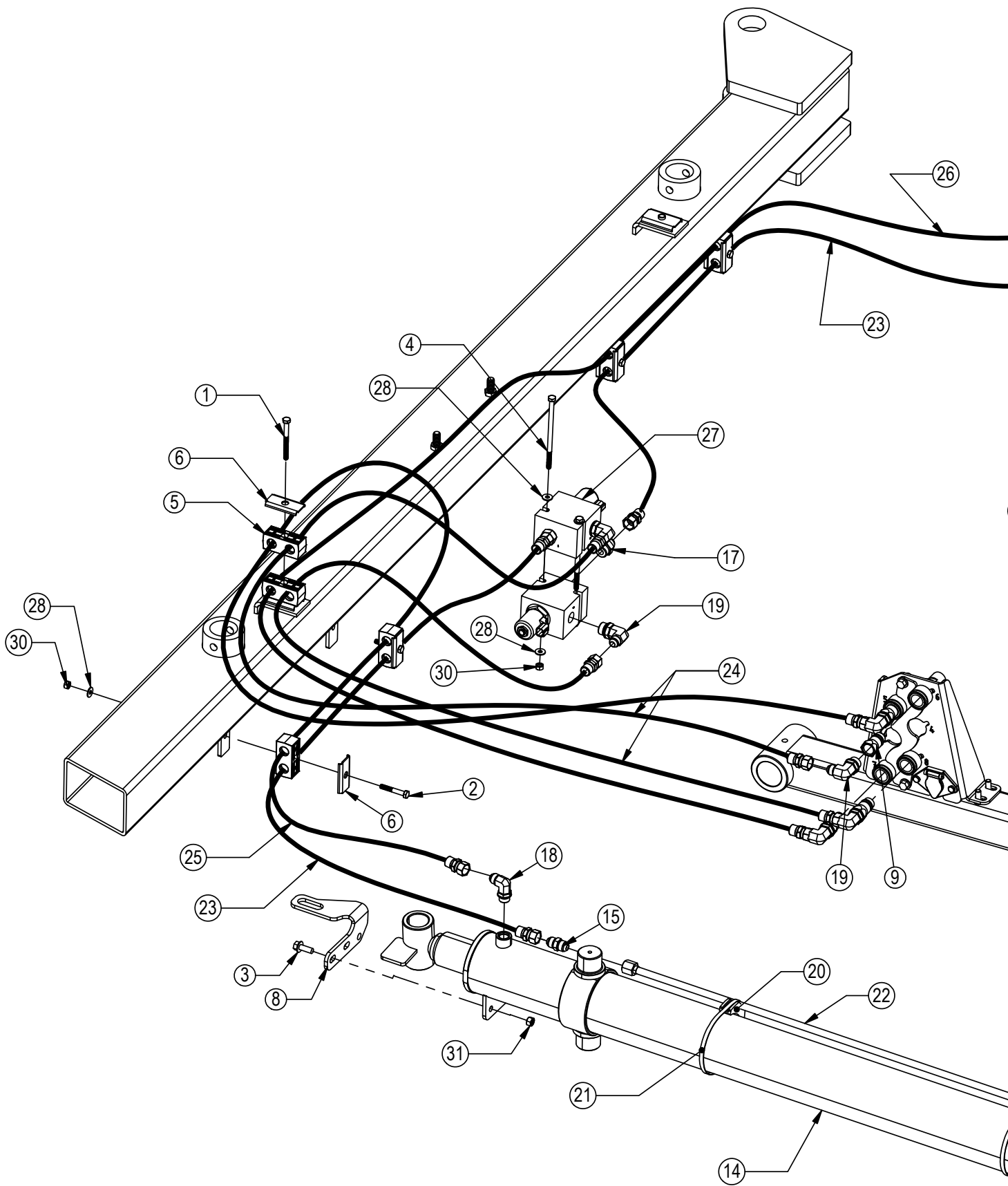
NOTE: When ordering cylinder seal kits, the part number on the cylinder is needed. The number is stamped on the base end of the cylinder opposite of the hydraulic ports.

No. On Cylinder	Part No.	Description
26-34711	49-12271	Seal Kit 4 x 8 (647135) Nitrided Rod, Clevis Ends
26-34739	49-12274	Seal Kit 4 x 55 (647210) Nitrided Rod

		Configuration	HAHT	HANT
Item No.	Part No.	Description	Qty.	Qty.
17	31-34040	Straight JIC x O-Ring (6400-8-8)	2	2
18	31-34041	Straight JIC x O-Ring (6400-8-10)	4	4
19	31-34050	Straight Thread Elbow 90° JIC x O-Ring (6801-8-8)	4	2
20	31-34051	Straight Thread Elbow 90° JIC x O-Ring (6801-8-10)	6	4
21	31-34060	Branch Tee JIC x O-Ring (6803-8-8-8)	2	-
22	34-12932	Cylinder Saddle	4	4
23	34-12933	Cylinder Hose Clamp	4	4
24	35-14674	45° -8 Formed Steel Line - Tier 4 Angle	2	2
25	35-30022	39" x 3/8" -8JIC/-8JIC Hose	2	-
26	35-30131	66" x 1/2" -8JIC/-8JIC Hose	4	4
27	35-30135	78" x 1/2" -8JIC/-8JIC Hose	2	2
28	35-30173	230" (19.17') x 1/2" -8JIC/-8JIC Hose	1	-
29	35-30174	240" (20') x 1/2" -8JIC/-8JIC Hose	1	-
30	56-14680	Logic Hydraulic Angle Valve	1	1
31	57-20741	5/16" Flat Washer	4	4
32*	59-34952	Stud Mounted Zip Tie	10	10
33	70-20581	5/16" Hex Nut NC	4	4
34	70-20622	3/8" Flange Hex Nut NC	4	4

# Hydraulic Angle - 2 Lever System Hose Routing

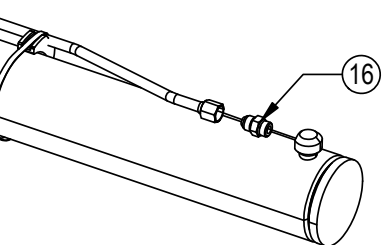
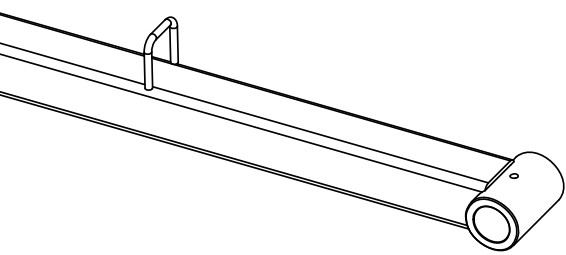
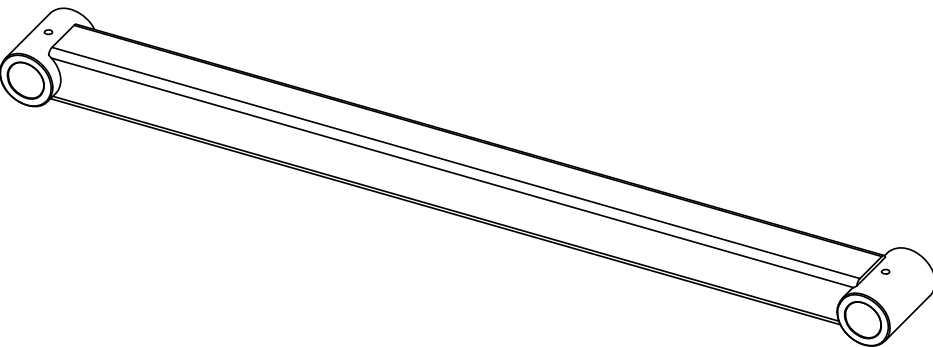
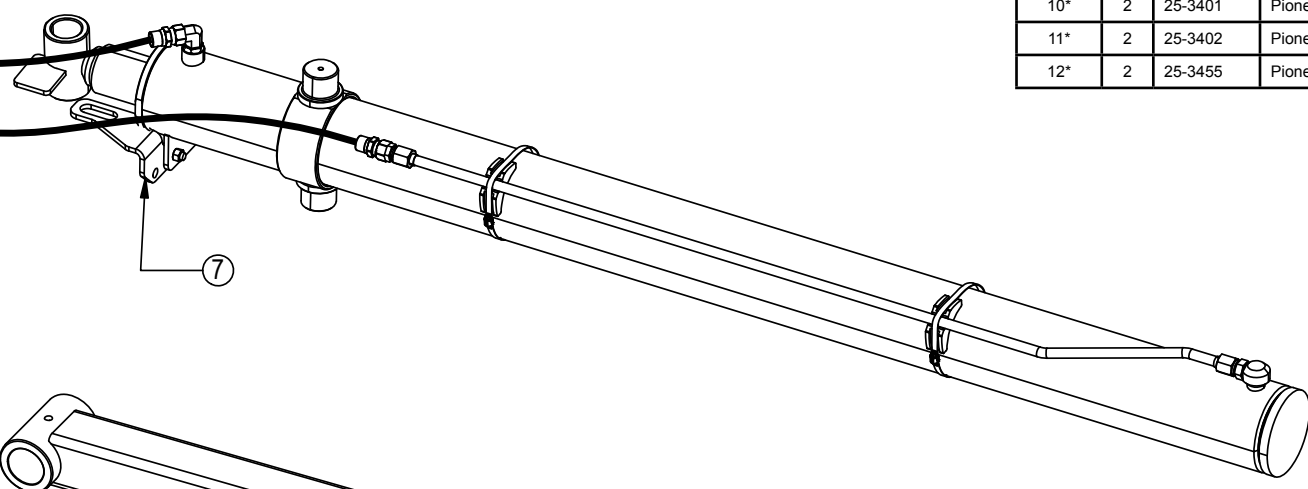
Hoses Not Drawn To Scale



# Hydraulic Angle - 2 Lever System Hose Routing

Item No.	Qty.	Part No.	Description
1	1	16-20043	5/16" x 3-1/4" Hex Bolt Gr 5 NC
2	4	16-20038	5/16" x 2" Hex Bolt Gr 5 NC
3	4	16-35C616	3/8" x 1" Flanged Bolt
4	2	16-20050	5/16" x 6" Hex Bolt Gr 5 NC
5	6	18-3074	Hose Hold Down Clamp
6	5	18-3075	Hose Hold Down Clamp Plate
7	1	18-14684-R	Switch Mount Bracket - Right
8	1	18-14684-L	Switch Mount Bracket - Left
9	4	25-34322	Tappet Quick Coupler Male
10*	2	25-3401	Pioneer Dust Cap Left Angle (Yellow)
11*	2	25-3402	Pioneer Dust Plug Left Angle (Yellow)
12*	2	25-3455	Pioneer Dust Cap Right Angle (Red)

\* Parts Not Shown

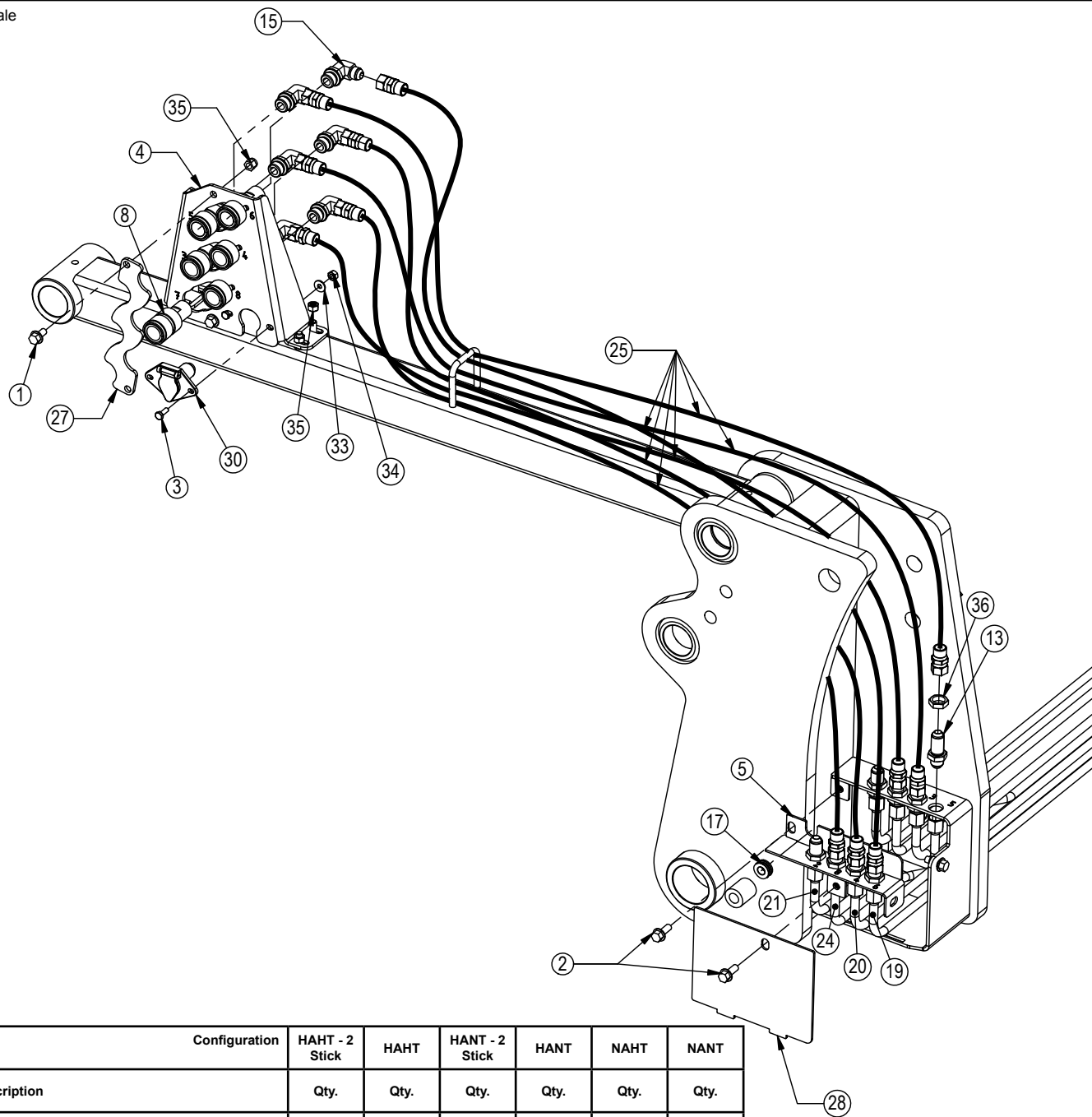


NOTE: When ordering cylinder seal kits, the part number on the cylinder is needed. The number is stamped on the base end of the cylinder opposite of the hydraulic ports.

Item No.	Qty.	Part No.	Description
13*	2	25-3456	Pioneer Dust Plug Right Angle (Red)
14	2	26-34739	4 x 55 Trunnion Mounted Tube End Cylinder
15	2	31-11699-8-8	JIC Union (2403-8-8)
16	2	31-34040	Straight JIC x O-Ring (6400-8-8)
17	2	31-34041	Straight JIC x O-Ring (6400-8-10)
18	2	31-34050	Straight Thread Elbow 90° JIC x O-Ring (6801-8-8)
19	6	31-34051	Straight Thread Elbow 90° JIC x O-Ring (6801-8-10)
20	4	34-12932	Cylinder Saddle
21	4	34-12933	Cylinder Hose Clamp
22	2	35-14674	45" -8 Formed Steel Line - Tier 4 Angle
23	2	35-30131	66" x 1/2" -8JIC/-8JIC Hose
24	2	35-30135	78" x 1/2" -8JIC/-8JIC Hose
25	1	35-30175	119" x 1/2" -8JIC/-8JIC Hose
26	1	35-30176	138" x 1/2" -8JIC/-8JIC Hose
27	1	56-14772	2-Stick Logic Angle Valve Kit
28	8	57-20741	5/16" Flat Washer
29*	10	59-34952	Stud Mounted Zip Tie
30	6	70-20581	5/16" Hex Nut NC
31	4	70-20622	3/8" Flange Hex Nut NC

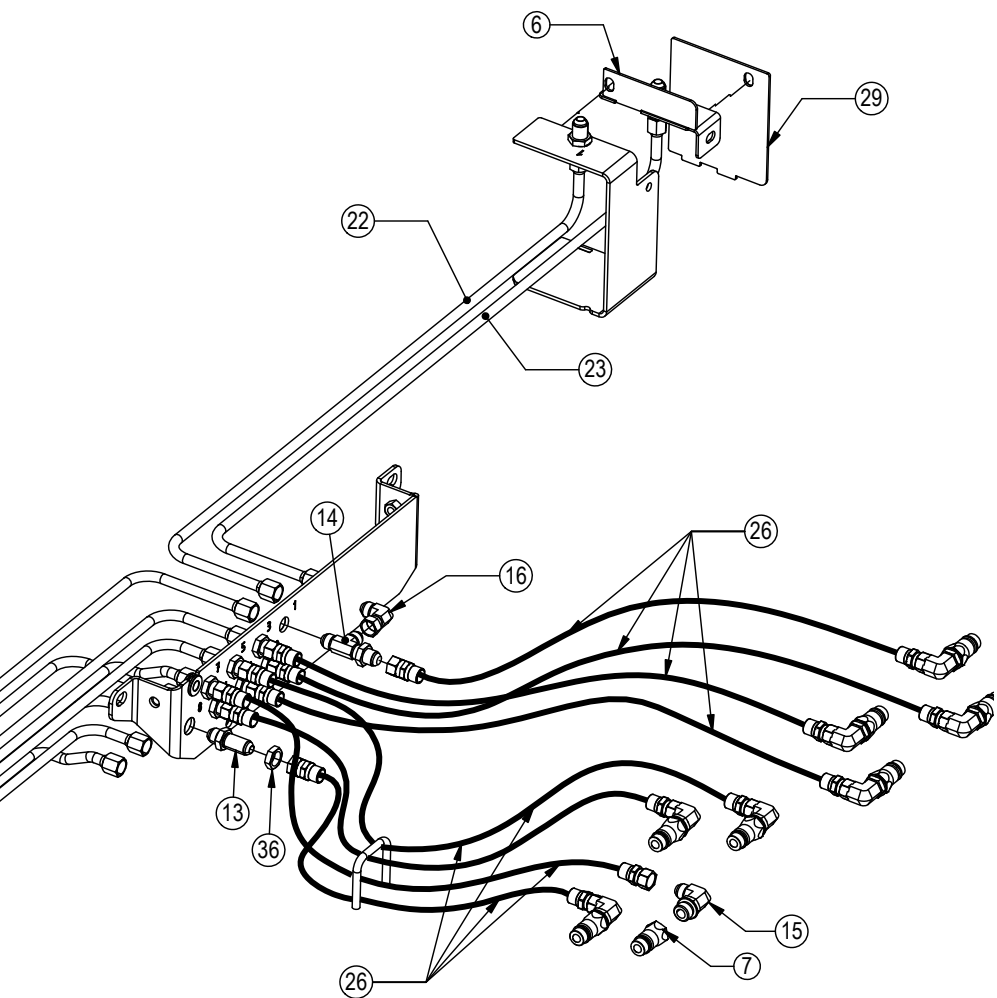
No. On Cylinder	Part No.	Description
26-34739	49-12274	Seal Kit 4 x 55 (647210) Nitrided Rod

Hoses Not Drawn To Scale



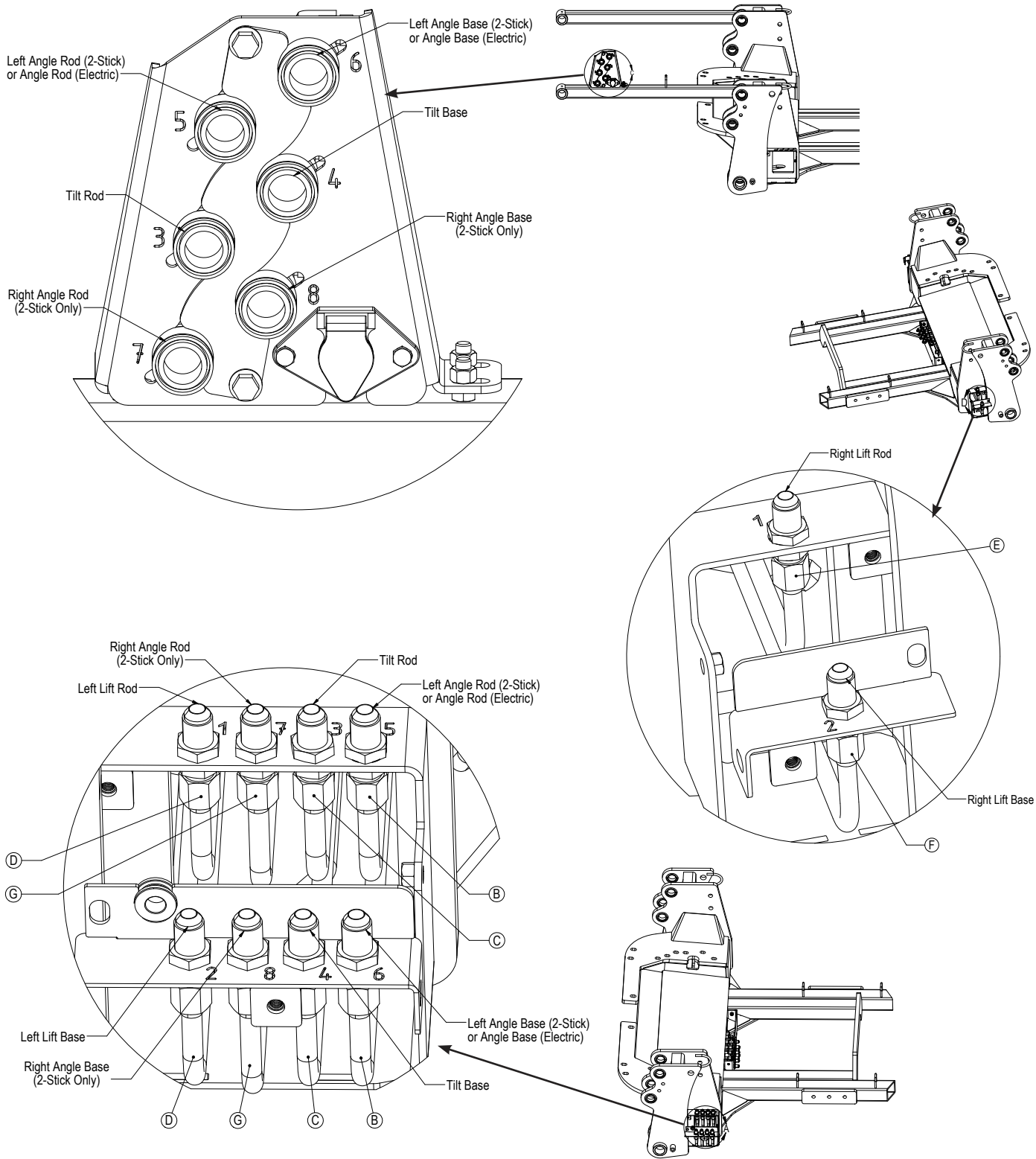
\* Parts Not Shown

Item No.	Part No.	Description	Configuration	HAHT - 2	HAHT	HANT - 2	HANT	NAHT	NANT
			Qty.	Qty.	Qty.	Qty.	Qty.	Qty.	
1	16-35C612	3/8" x 3/4" Flanged Bolt	2	2	2	2	2	-	-
2	16-35C616	3/8" x 1" Flanged Bolt	6	6	6	6	6	6	6
3	16-20002	1/4" x 3/4" Hex Bolt Gr 5 NC	2	2	2	2	-	-	-
4	18-14737	700 Series Female Coupler Mount - Universal	1	1	1	1	1	1	-
5	18-15115	Bracket, Hydraulic Cover - Top Left	1	1	1	1	1	1	1
6	18-15128	Bracket, Hydraulic Cover - Top Right	1	1	1	1	1	1	1
7	25-34322	Tappet Quick Coupler Male	8	6	6	4	4	4	2
8	25-34321	Tappet Quick Coupler Female	6	4	4	2	2	2	-
9*	25-3401	Pioneer Dust Cap Left Angle (Yellow)	2	-	2	-	-	-	-
10*	25-3453	Pioneer Dust Cap Tilt (Green)	2	2	-	-	2	-	-
11*	25-3455	Pioneer Dust Cap Right Angle (Red)	2	2	2	2	-	-	-
12*	25-3457	Pioneer Dust Cap Lift (Orange)	2	2	2	2	2	2	2
13	31-34000	Bulkhead Union JIC (2700-8-8)	16	12	12	8	8	8	4
14	31-34030	Bulkhead Run Tee JIC (2704-8-8-8)	2	2	2	2	2	2	2
15	31-34051	Straight Thread Elbow 90° JIC x O-Ring (6801-8-10)	14	10	10	6	6	6	2
16	31-34100	Swivel Nut Elbow 90° JIC (6500-8-8)	2	2	2	2	2	2	2
17	34-14826	1/2" ID Rubber Grommet	2	2	2	2	-	-	-



\* Parts Not Shown

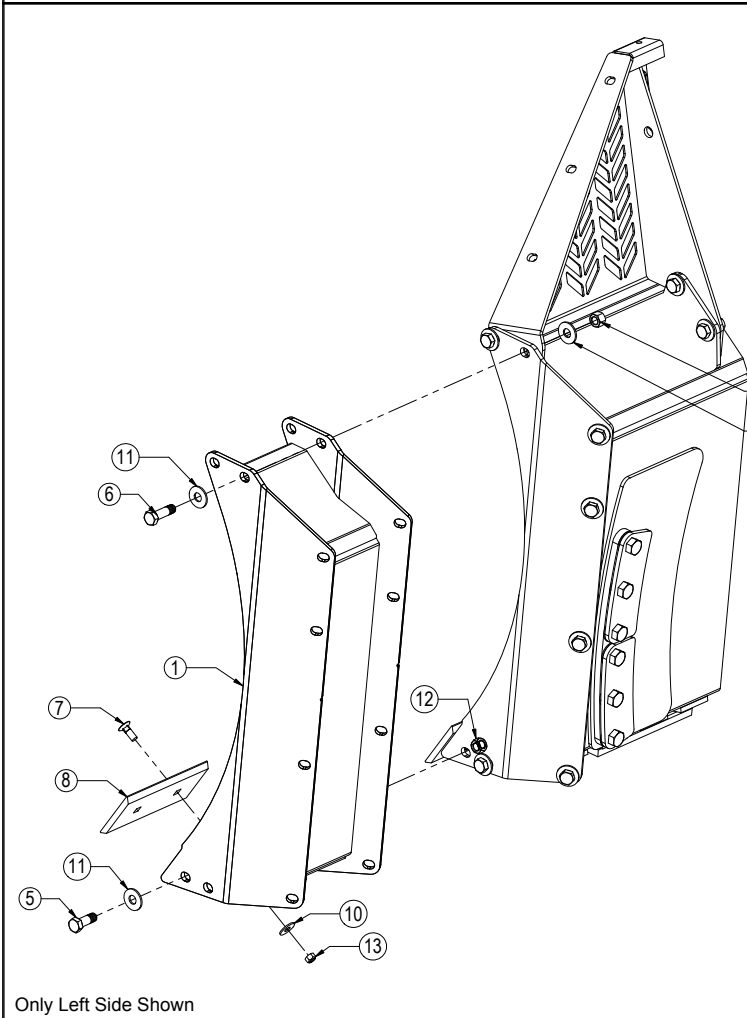
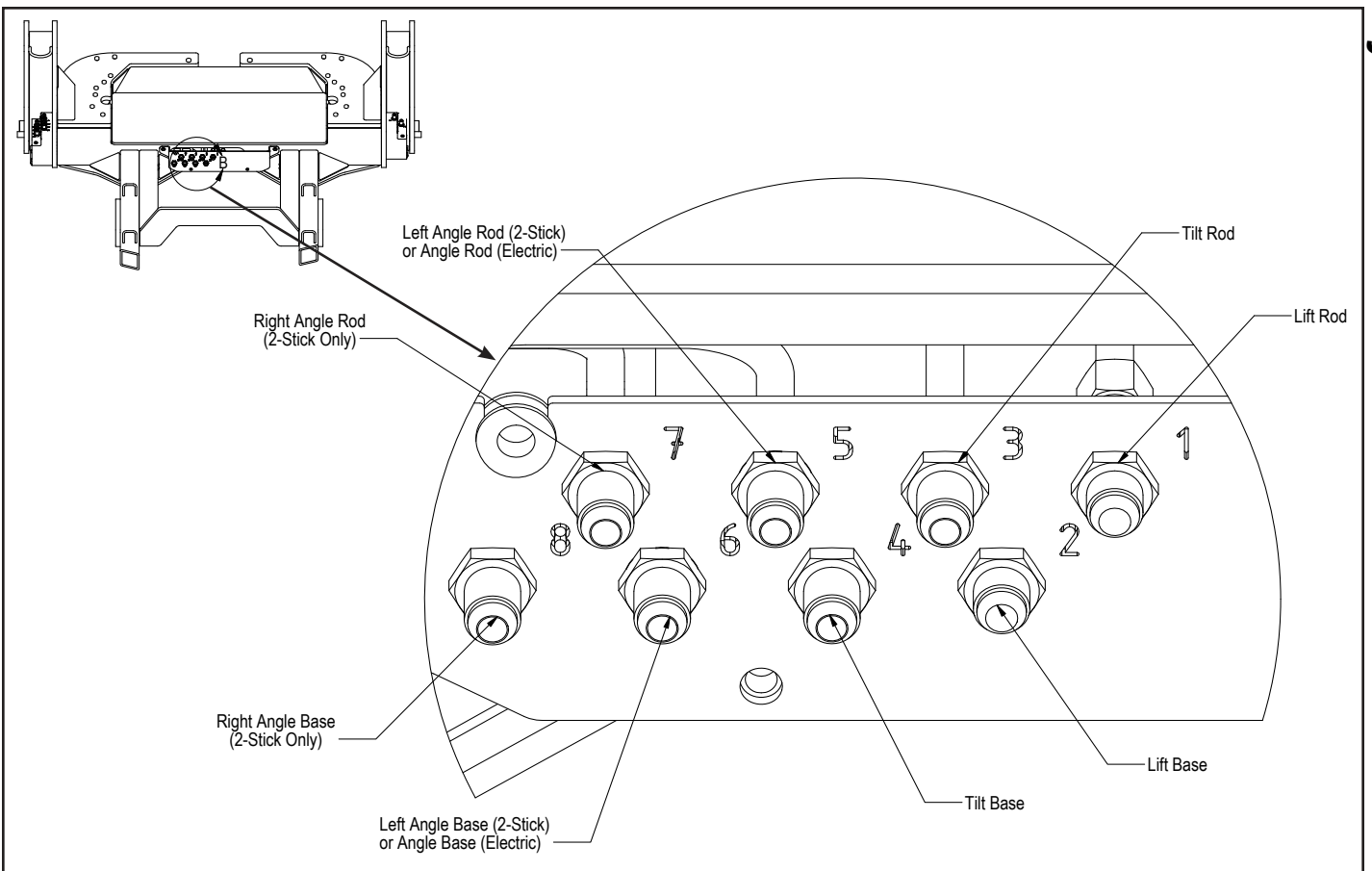
		Configuration	HAHT - 2 Stick	HAHT	HANT - 2 Stick	HANT	NAHT	NANT
Item No.	Part No.	Description	Qty.	Qty.	Qty.	Qty.	Qty.	Qty.
18*	34-14898	Dome Plug (3044)	-	4	4	8	10	14
19	35-14351	31.63" -8 Formed Steel Line (Angle)	2	2	2	2	-	-
20	35-14352	33.88" -8 Formed Steel Line (Tilt)	2	2	-	-	2	-
21	35-14353	36.13" -8 Formed Steel Line (Left Lift)	2	2	2	2	2	2
22	35-14356	36.63" -8 Formed Steel Line (770 Right Lift)	1	1	1	1	1	1
23	35-14357	39.63" -8 Formed Steel Line (770 Right Lift)	1	1	1	1	1	1
24	35-14824	29.38" -8 Formed Steel Line (2-Stick - Left Side)	2	-	2	-	-	-
25	35-30132	69" x 1/2" -8JIC/-8JIC Hose	6	4	4	2	2	-
26	35-30172	318" (26.5') x 1/2" -8JIC/-8JIC Hose	8	6	6	4	4	2
27	44-14738	700 Series Female Coupler Retainer-Universal	1	1	1	1	1	-
28	44-15120	700 Series Side Cover Plate - Left	1	1	1	1	1	1
29	44-15125	700 Series Side Cover Plate - Right	1	1	1	1	1	1
30*	69-14681	Logic Angle Valve Wire Harness	1	1	1	1	-	-
31*	69-14679	Electric Angle Switch	-	1	-	1	-	-
32	69-14683	2-Stick Wire Harness Cap	1	-	1	-	-	-
33	57-20740	1/4" Flat Washer	2	2	2	2	-	-
34	70-20580	1/4" Hex Nut Gr 5 NC	2	2	2	2	-	-
35	70-20622	3/8" Flange Hex Nut NC	6	6	6	6	6	-
36	70-20807	3/4" Hex Jam Nut	18	14	14	10	10	6



\* Parts Not Shown

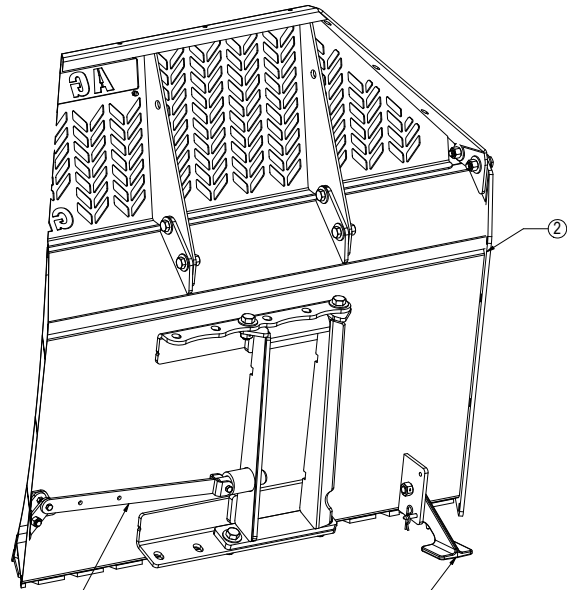
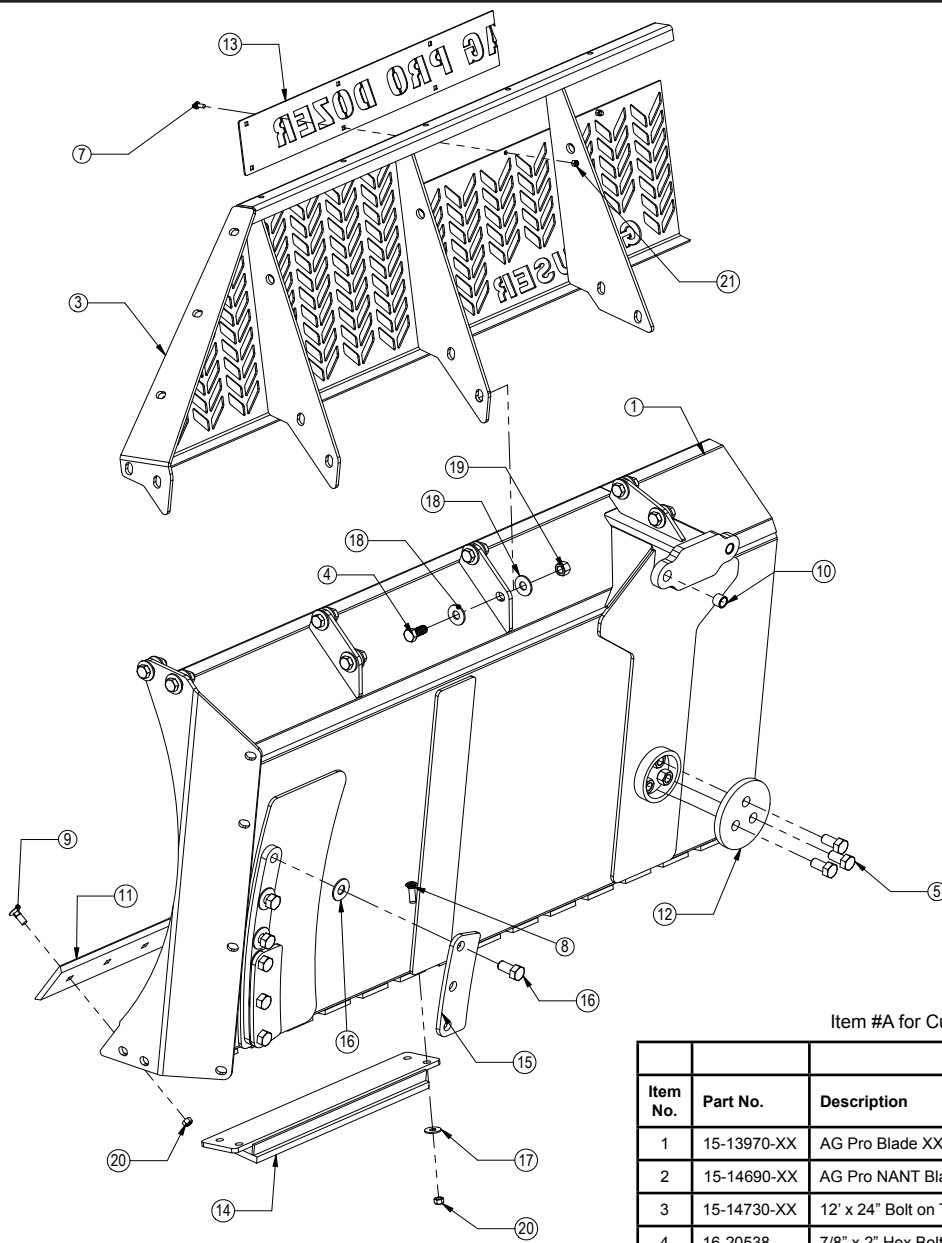
Item	Part No.	Description	Configuration		HAHT - 2 Stick Qty.	HAHT Qty.	HANT - 2 Stick Qty.	HANT Qty.	NAHT Qty.	NANT Qty.
			HAHT - 2 Stick	HAHT						
A*	34-14898	Dome Plug (3044)	-	4	4	8	10	14		
B	35-14351	31.63" -8 Formed Steel Line (Angle)	2	2	2	2	-	-		
C	35-14352	33.88" -8 Formed Steel Line (Tilt)	2	2	-	-	2	-		
D	35-14353	36.13" -8 Formed Steel Line (Left Lift)	2	2	2	2	2	2		
E	35-14356	36.63" -8 Formed Steel Line (770 Right Lift)	1	1	1	1	1	1		
F	35-14357	39.63" -8 Formed Steel Line (770 Right Lift)	1	1	1	1	1	1		
G	35-14824	29.38" -8 Formed Steel Line (2-Stick - Left Side)	2	-	2	-	-	-		





\* Parts Not Shown

Item No.	Part No.	Description	End Extension Length	
			1'	2'
1	15-13990-1-L	Slant Top 1' End Extension cmb - Left	1	-
2*	15-13990-1-R	Slant Top 1' End Extension cmb - Right	1	-
3*	15-13990-2-L	Slant Top 2' End Extension cmb - Left	-	1
4*	15-13990-2-R	Slant Top 2' End Extension cmb - Right	-	1
5	16-20540	7/8" x 2-1/2" Hex Bolt Gr 8 NC	12	12
6	16-20542	7/8" x 3" Hex Bolt Gr 8 NC	4	4
7	16-21666	5/8" x 1-3/4" Plow Bolt Gr 5 NC	4	8
8	29-7950-1	1'- 5/8" x 6" Double Bevel Cutting Edge	2	-
9*	29-7950-2	2'- 5/8" x 6" Double Bevel Cutting Edge	-	2
10	57-20816	5/8" Flat Washer Grade 8 (USS)	4	8
11	57-20818	7/8" Flat Washer Heavy Duty Grade 8 (USS)	20	20
12	70-20598	7/8" Hex Nut Gr 8 NC	16	16
13	70-20646	5/8" Hex Top Lock Nut Gr 5 NC	4	8

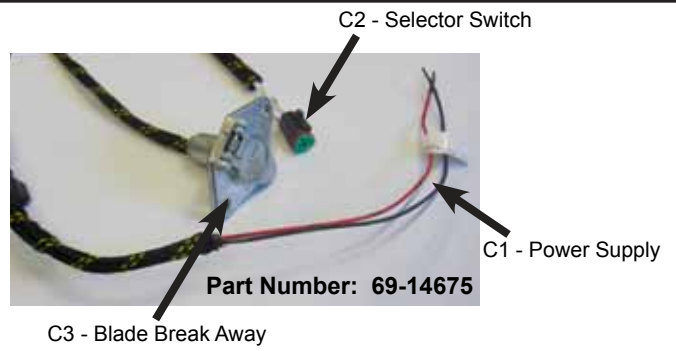
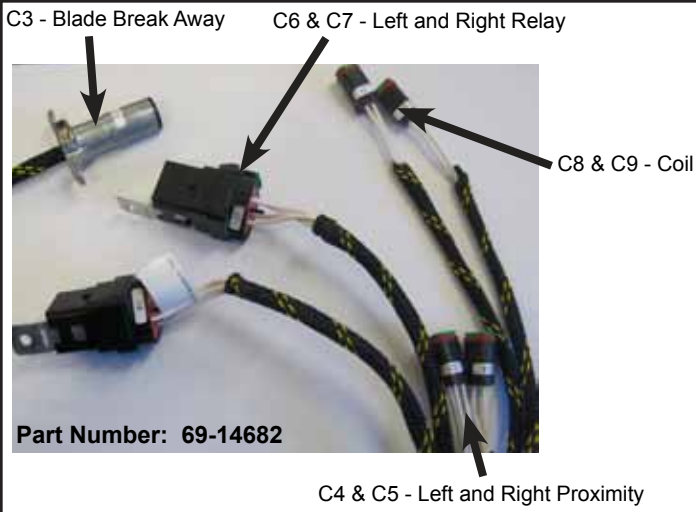


Refer to Page 14 for Quick Attach System.

Refer to Page 12 for Blade Stand Parts

Item #A for Custom Name Plate and Item #B for AG Pro Name Plate

Item No.	Part No.	Description	Blade Length				
			12'	14'	16'	18'	20'
			Qty.	Qty.	Qty.	Qty.	Qty.
1	15-13970-XX	AG Pro Blade XX' - Slant Top	1	1	1	1	1
2	15-14690-XX	AG Pro NANT Blade XX' - Slant Top	1	1	1	1	1
3	15-14730-XX	12' x 24" Bolt on Top Extension - Slant Top	1	1	1	1	1
4	16-20538	7/8" x 2" Hex Bolt Gr 8 NC	14	14	18	18	22
5	16-20558	1" x 2" Hex Bolt Gr 8 NC	3	3	3	3	3
6	16-20562	1" x 3" Hex Bolt Gr 8 NC	12	12	12	12	12
7	16-21064	3/8" x 1" Carriage Bolt Gr 5 NC	8	8	8	8	8
8	16-21188	5/8" x 2" Carriage Bolt Gr 5 NC	8	8	8	8	8
9	16-21666	5/8" x 1-3/4" Plow Bolt Gr 5 NC	24	28	32	36	40
10	19-7774	1" x 1" Spring Bushing	2	2	2	2	2
11	29-7950-6	6'- 5/8" x 6" Double Bevel Cutting Edge	2	-	-	3	2
11	29-7950-7	7'- 5/8" x 6" Double Bevel Cutting Edge	-	2	-	-	-
11	29-7950-8	8'- 5/8" x 6" Double Bevel Cutting Edge	-	-	2	-	1
12	44-3749	Backdrag Brace Plate	1	1	1	1	1
13A	44-14830	Custom Name Plate	1	1	1	1	1
13B	44-15150	AG Pro Name Plate	1	1	1	1	1
14	50-8725	Skid Shoe 33"	2	2	2	2	2
15	52-8204	Tilt Plate	4	4	4	4	4
16	57-20749	1" Flat Washer	12	12	12	12	12
17	57-20816	5/8" Flat Washer Grade 8 (USS)	8	8	8	8	8
18	57-20818	7/8" Flat Washer Heavy Duty Grade 8 (USS)	28	28	36	36	44
19	70-20598	7/8" Hex Nut Gr 8 NC	14	14	18	18	22
20	70-20646	5/8" Hex Top Lock Nut Gr 5 NC	32	36	40	44	48
21	70-20622	3/8" Flange Nut	8	8	8	8	8



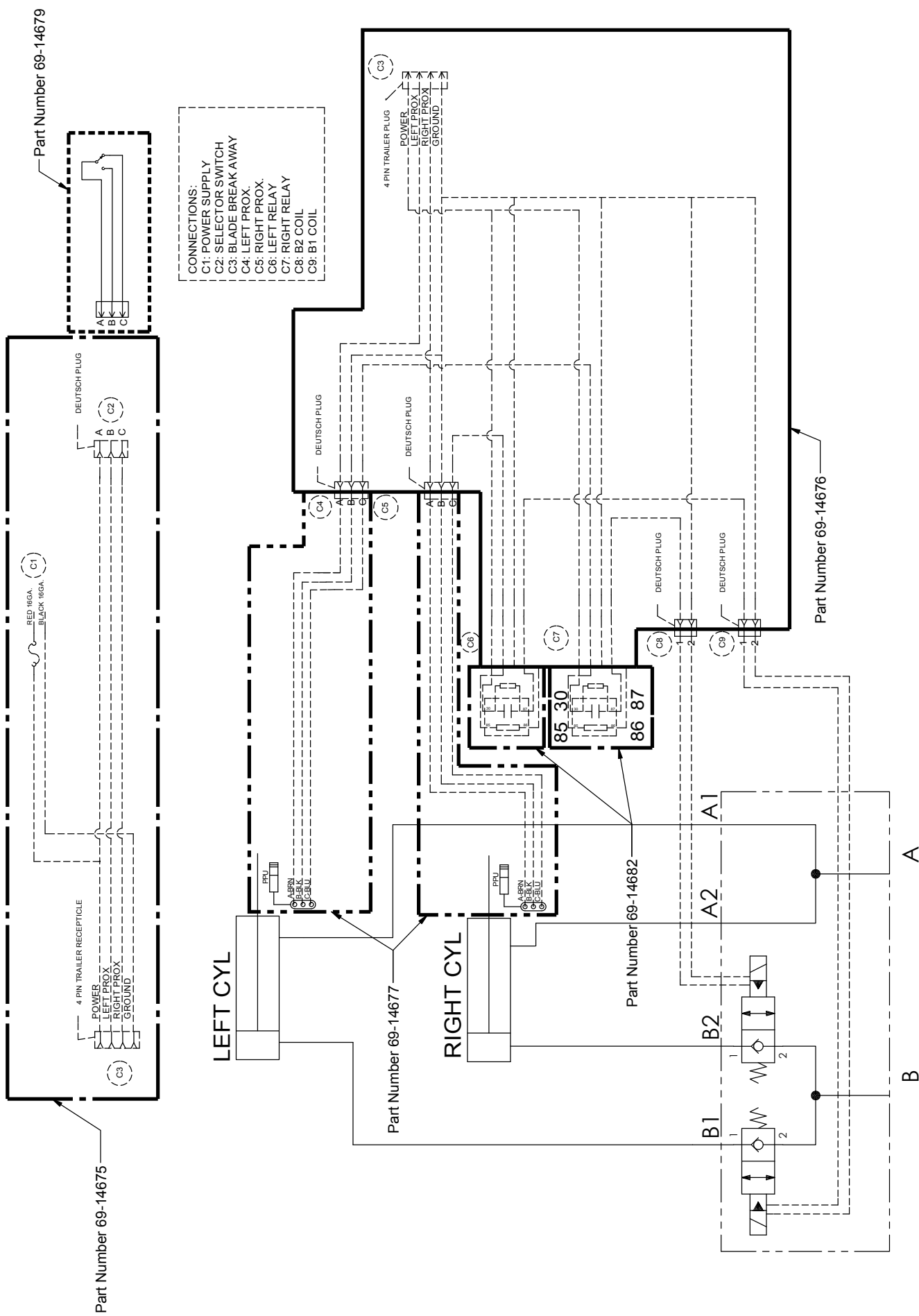
USED ONLY WITH  
ELECTRIC ANGLE SYSTEMS



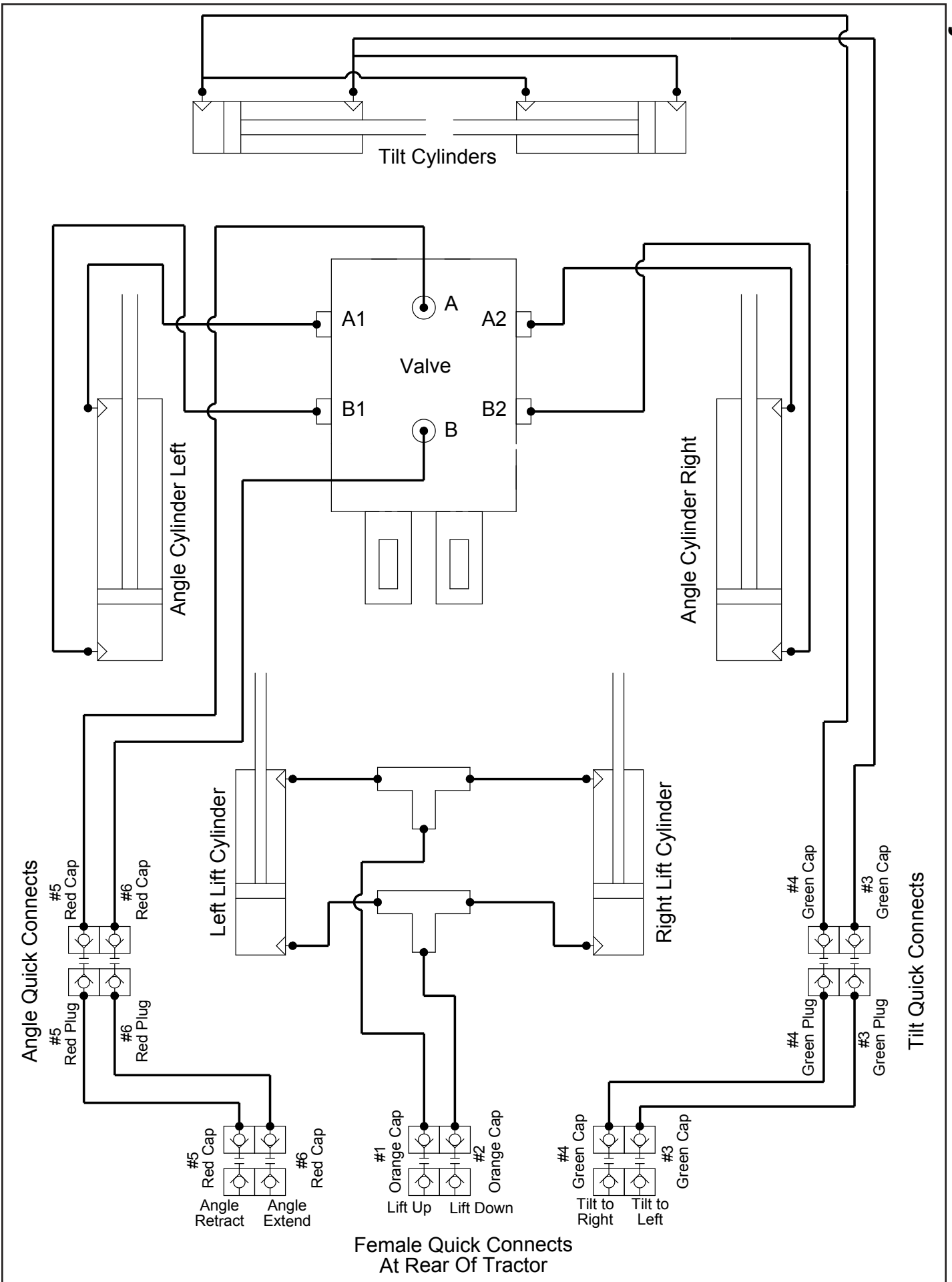
USED ONLY WITH  
2 LEVER ANGLE SYSTEMS

See Pages 28 & 30 for full system wire harness schematic

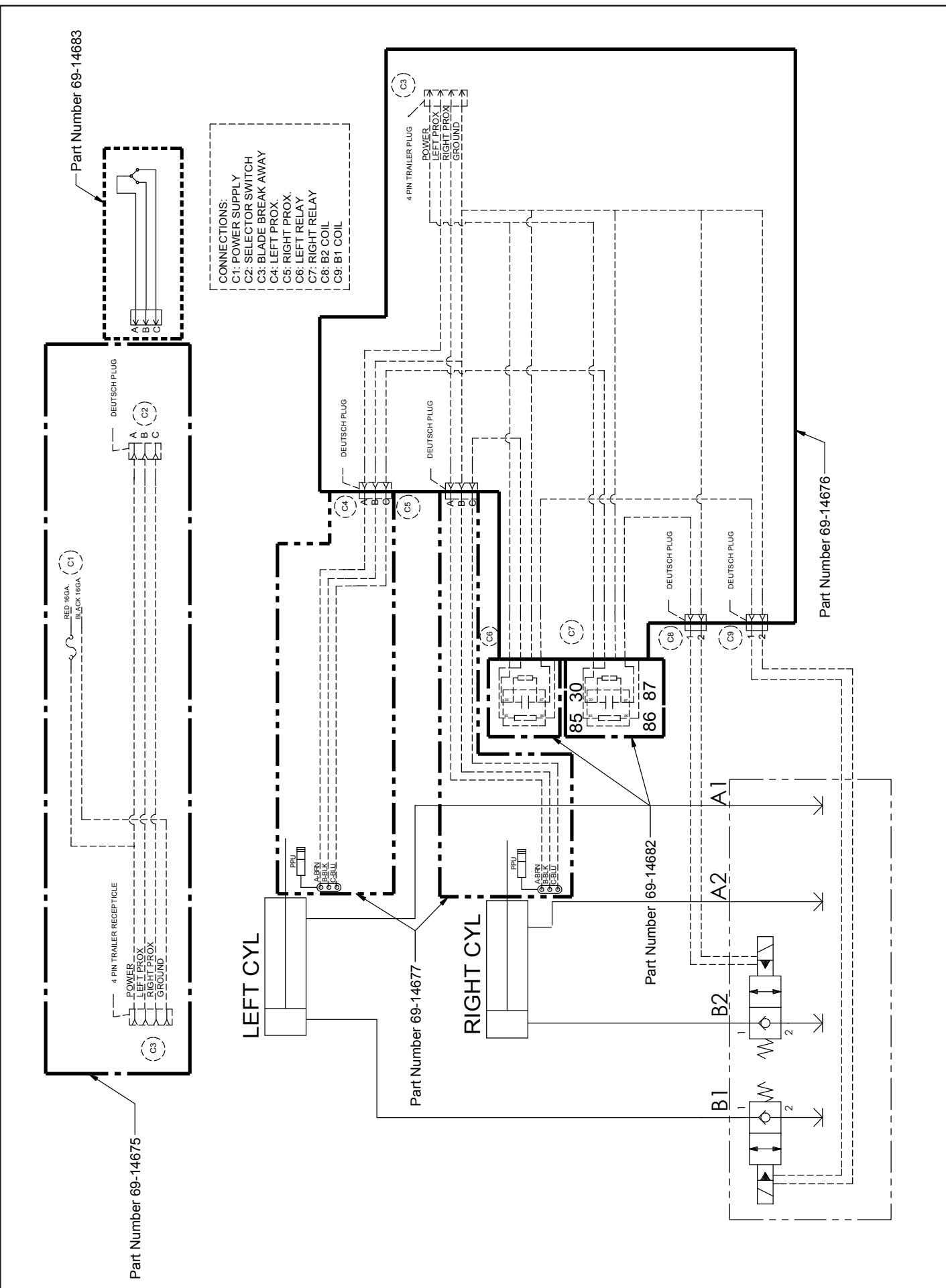
# Angle Wire Harness

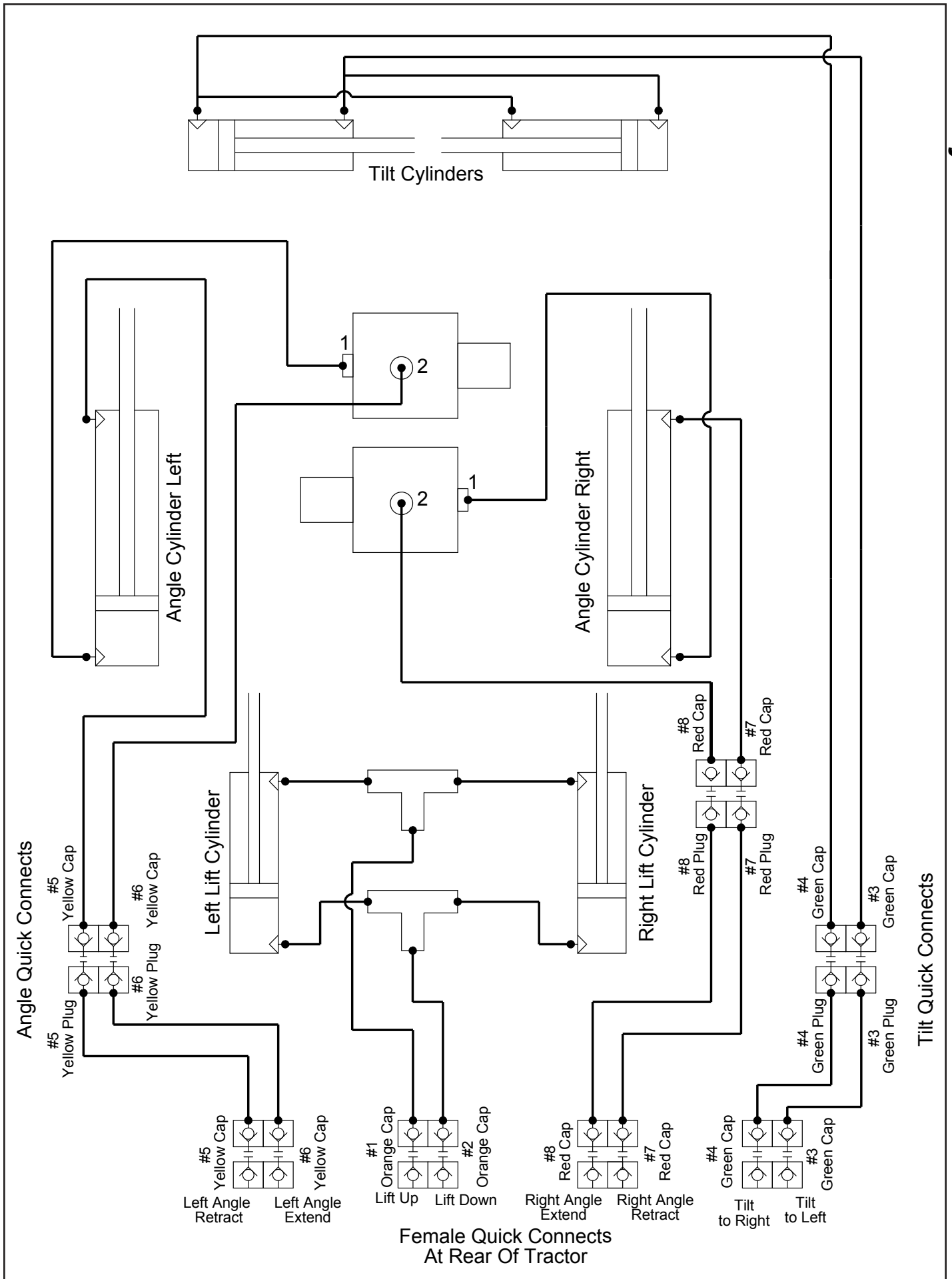


- CONNECTIONS:
- C1: POWER SUPPLY
  - C2: SELECTOR SWITCH
  - C3: BLADE BREAK AWAY
  - C4: LEFT PROX.
  - C5: RIGHT PROX.
  - C6: LEFT RELAY
  - C7: RIGHT RELAY
  - C8: B2 COIL
  - C9: B1 COIL



# Angle - 2 Lever Wire Harness





# Contact Us

---

As always, if you have any questions about your 770 Dozer or other products made by Grouser, feel free to contact us.

## Grouser Products

755 2nd Ave NW - West Fargo, ND 58078

**Phone:** 1-800-747-6182

**Fax:** 1-701-282-8131

**E-mail:** [grouser@grouser.com](mailto:grouser@grouser.com)

**Website:** [www.grouser.com](http://www.grouser.com)



# Improvements

---

Grouser Products Inc. is continually striving to improve its products. We reserve the right to change prices, specification, or equipment at any time without notice. We also reserve the right to make improvements or changes when it becomes practical and possible to do so without incurring any obligation to make changes or additions to the equipment sold previously.

# Warranty

---

Grouser Products warrants to the original purchaser of each item that the product be free from defects in material and workmanship under normal use and service for a period of one year. If such equipment is found to be defective within one year, it is the obligation of Grouser Products under this warranty to repair or replace (exclusive of the cost of labor and transportation), any equipment or parts, in the judgment of Grouser Products to be defective in material or workmanship.

All equipment or parts claimed to be defective in material or workmanship must be made available for inspection at the place of business of a dealer authorized to handle the equipment covered by this warranty, or, upon request by Grouser Products, shipped to the Grouser Products factory in West Fargo, North Dakota. Grouser Products shall have no obligation to bear the cost of labor or transportation in connection with replacement or repair of any such defective parts in the setup process.

This warranty covers only defects in material and workmanship. It does not cover depreciation or damage caused by normal wear, accident, improper assembly, improper adjustments, improper maintenance including lack of proper lubrication, or improper use. Therefore, Grouser Products liability under this warranty shall not be effective or actionable unless the equipment is assembled, maintained and operated in accordance with the operating instructions accompanying the equipment. Grouser Products shall have no liability if the equipment has been altered or reworked without the written authorization of Grouser Products.

Grouser Products' parts, which are furnished under this warranty and properly installed, shall be warranted to the same extent as the original parts under this warranty if, and only if, such parts are found to be defective within the original warranty period covering the original equipment.

