



FH-400 Case Magnum Tier 3 - Mid Frame

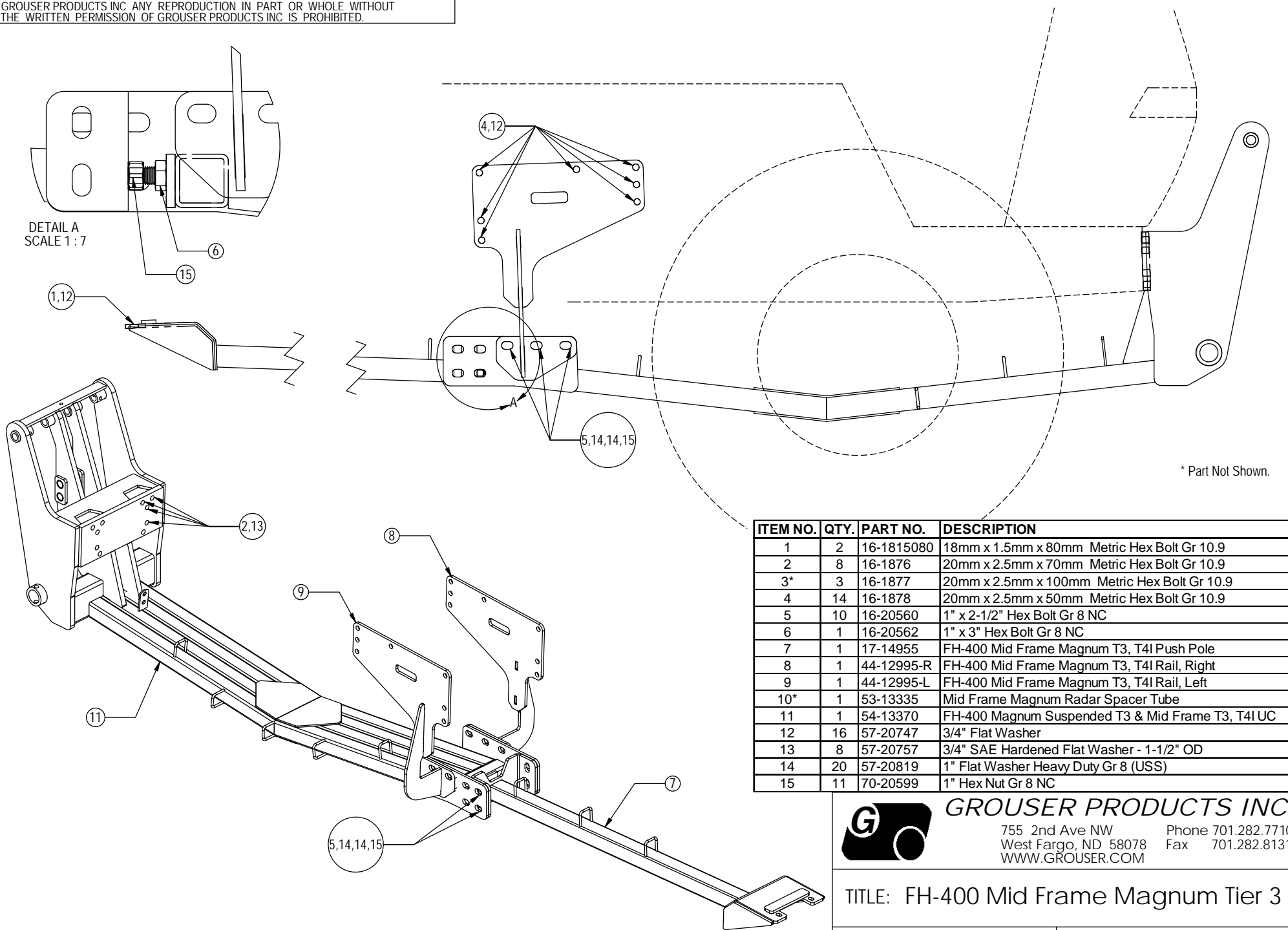
Undercarriage Installation Instructions

Caution:

- Always use precaution when working around any equipment.
 - Always wear safety glasses.
 - Follow tractor manufacturer's safety guidelines when installing this product.
1. Read all instructions prior to installation.
 2. Remove weights and weight bracket from front of tractor if necessary.
 3. Remove the bolts from the radar. Insert the radar spacer (PN: 53-13335) and reattach the radar with 20mm x 100mm bolts (PN: 16-1877)
 4. Position the undercarriage (U/C) under the tractor and center with the frame of the tractor.
 5. Lift the U/C until the holes on the tractor line up with the holes on the U/C.
 6. At the front of the tractor, use 8 - 20mm x 70mm bolts (PN: 16-1876) with a 3/4" SAE flat washer (PN: 57-20757) on each bolt to attach the U/C to the front of the tractor. Tighten finger tight. See the attached diagram for any clarification.
 7. Use 7 - 20mm x 50mm bolts (PN: 16-1878) with a 3/4" flat washer (PN: 57-20747) on each bolt in the holes of the left and right rail (PN: 44-12995-R,L) to attach the rails to the tractor frame.
 8. If there is a ground boss where the side rails attached to the tractor, use a 20mm x 100mm bolt (PN: 16-1877) with a 3/4" washer (PN: 57-20747) along with the ground boss instead of a 20mm x 50mm bolt.
 9. Attach the left and right rails to the left and right sides of the undercarriage with 3 - 1" bolts (PN: 16-20560), 6 - 1" heavy duty flat washers (PN: 57-20819), and 3 - 1" nuts (PN: 70-20599) for each side.
 10. Once all bolts are installed, torque the front 20mm bolts to 432 ft-lbs.
 11. Torque the 20mm bolts on the side rails to 432 ft-lbs.
 12. Torque the 1" bolts attaching the side rails to the U/C to 903 ft-lbs.
 13. Carefully remove the front bolts holding the drawbar bracket to the tractor rear axle housing. Discard the removed bolts.
 14. Install a 1" x 3" bolt (PN: 16-20562) and a 1" nut (PN: 70-20599) on the front end of the push pole (PN: 17-14955). Turn the 1" bolt in for installation. The bolt will be adjusted after the push pole is installed. See the attached diagram for proper installation of the bolt and nut.
 15. Position the push pole (PN: 17-14955) under the tractor. See the attached diagram for the correct orientation of the push pole.

- 16.** Attach the rear of the push pole to the drawbar under the rear axle with 2 - 18mm bolts (PN: 16-1815080) and a 3/4" flat washer (PN: 57-20747) on each bolt. See attached diagram clarification.
- 17.** Lift the end of the push pole with the installed bolt and nut from Step #14 up to the U/C.
- 18.** Attach the push pole to the U/C with 2 - 1" x 2-1/2" bolts (PN: 16-20560), 4 - 1" flat heavy duty washers (PN: 57-20819), and 1 - 1" nuts (PN: 70-20599) for each side. Tighten finger tight.
- 19.** Push the push pole back tight against the drawbar bracket.
- 20.** Torque the 18mm x 80mm bolts to 405 ft-lbs.
- 21.** Torque the 4 front 1" bolts on the push pole to 903 ft-lbs.
- 22.** Unscrew the 1" x 3" bolt at the front of the push pole until it is tight against the U/C. Torque the 1" bolt to 90-95 ft-lbs.
- 23.** Tighten the nuts up tight against the push pole. Use the nuts to lock the bolts in place.
- 24.** After first 8 hours of use, re-torque all bolts.
- 25.** Check all fasteners regularly to ensure proper operation of equipment.

THE INFORMATION CONTAINED IN THIS DRAWING IS THE SOLE PROPERTY OF GROUSER PRODUCTS INC ANY REPRODUCTION IN PART OR WHOLE WITHOUT THE WRITTEN PERMISSION OF GROUSER PRODUCTS INC IS PROHIBITED.



ITEM NO.	QTY.	PART NO.	DESCRIPTION
1	2	16-1815080	18mm x 1.5mm x 80mm Metric Hex Bolt Gr 10.9
2	8	16-1876	20mm x 2.5mm x 70mm Metric Hex Bolt Gr 10.9
3*	3	16-1877	20mm x 2.5mm x 100mm Metric Hex Bolt Gr 10.9
4	14	16-1878	20mm x 2.5mm x 50mm Metric Hex Bolt Gr 10.9
5	10	16-20560	1" x 2-1/2" Hex Bolt Gr 8 NC
6	1	16-20562	1" x 3" Hex Bolt Gr 8 NC
7	1	17-14955	FH-400 Mid Frame Magnum T3, T4I Push Pole
8	1	44-12995-R	FH-400 Mid Frame Magnum T3, T4I Rail, Right
9	1	44-12995-L	FH-400 Mid Frame Magnum T3, T4I Rail, Left
10*	1	53-13335	Mid Frame Magnum Radar Spacer Tube
11	1	54-13370	FH-400 Magnum Suspended T3 & Mid Frame T3, T4I UC
12	16	57-20747	3/4" Flat Washer
13	8	57-20757	3/4" SAE Hardened Flat Washer - 1-1/2" OD
14	20	57-20819	1" Flat Washer Heavy Duty Gr 8 (USS)
15	11	70-20599	1" Hex Nut Gr 8 NC



GROUSER PRODUCTS INC.

755 2nd Ave NW Phone 701.282.7710
 West Fargo, ND 58078 Fax 701.282.8131
 WWW.GROUSER.COM

TITLE: FH-400 Mid Frame Magnum Tier 3

Date: 6/29/2011 DWG. NO.: 15505-A