



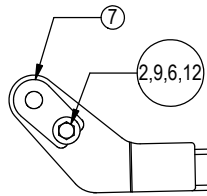
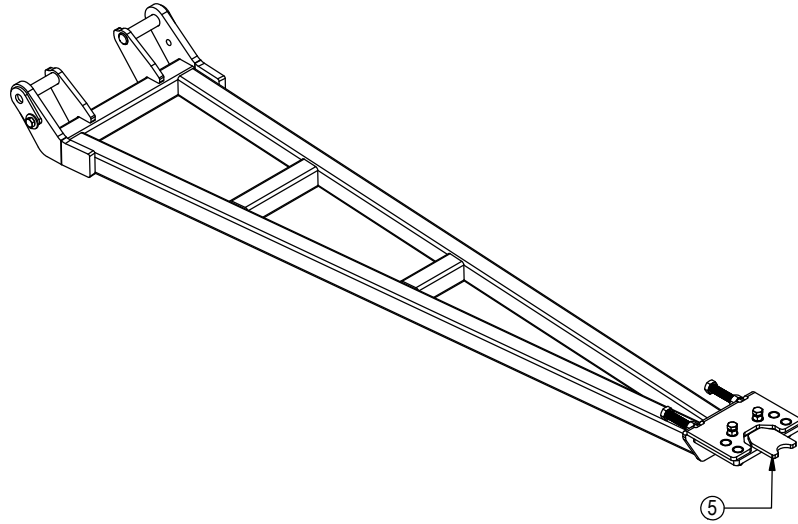
Fendt 700 Tier 4

Undercarriage Installation Instructions

Caution:

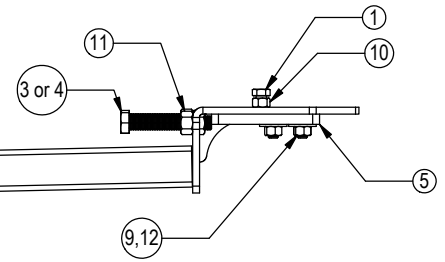
- Always use precaution when working around any equipment.
- Always wear safety glasses.
- Follow tractor manufacturer's safety guidelines when installing this product.
 1. Read all instructions prior to installation.
 2. For Tier 4 Interim tractors, install th 2 - 1" x 3" bolts (PN: 16-20562) and 2 - 1" nuts (PN: 70-20589) at the rear of the support frame. See attached diagram for clarification. Tighten bolts only till the end of the bolt is flush with the welded nut on the support frame. Continue with Step #4.
 3. For Tier 4 Final tractors, install th 2 - 1" x 6" bolts (PN: 16-17271) and 2 - 1" nuts (PN: 70-20589) at the rear of the support frame. See attached diagram for clarification. Tighten bolts only till the end of the bolt is flush with the welded nut on the support frame. Continue with Step #4.
 4. Attach the push bracket (PN: 18-40473) to the rear of the support frame with 4 - 3/4" flat washers (PN: 57-20747) and 4 - 3/4" nuts (PN: 70-20607). The small plate on the bracket should be on the top. Push the push plate towards the front of the front support up against the 1" bolts installed in the previous step. ONLY finger tighten the nuts for now. **See attached diagram for clarification on orientation of the push plate.**
 5. Insert 2 - 3/4" x 1-3/4" bolts (PN: 16-20217) with 2 - 3/4" nuts (70-20587) at the rear of the support frame into the 2 nuts welded into the top of the frame. Turn in as far as possible so they are not in the way of installing the support frame.
 6. Position the support frame under the tractor with the front ears towards the front of the tractor and center with the frame of the tractor.
 7. Lift the rear of the support frame so the rear plate sets inside and on top of the drawbar bracket.
 8. Support the front linkage frame and remove the pins that hold the frame to the tractor.
 9. Lift the front of the support frame.
 10. Once the ears are aligned with the ears on the tractor frame and the front linkage frame, insert a pin (PN: 43-16895) on each side.
 11. Once the pins are in place, insert a spacer (PN: 19-13515) in the open space between the legs of the pin heads. Insert a 3/4" bolt (PN: 16-20220) with a 3/4" flat washer (PN: 57-20747) through each spacer and the hole on the U/C. See attached diagram for any clarification.
 12. After the bolts are in, install a 3/4" nut (PN: 70-20607) on each bolt.
 13. Torque the front 3/4" bolts to 257 ft-lbs.
 14. Tighten the 1" bolts to push the push plate up tight against the tractor casting. Torque the 1" bolts to 90-95 ft-lbs.
 15. Tighten the 3/4" nuts up tight against the rear plate on the support frame. Use the nuts to lock the push plate in place.
 16. Torque the 3/4" nuts to 257 ft-lbs.
 17. Unscrew the 3/4" bolts from Step #5 till they are tight against the tractor casting. FINGER TIGHTEN ONLY. Tighten the 3/4" nuts tight against the top plate of the support frame. The 3/4" nuts lock the bolts in place. DO NOT OVERTIGHTEN.
 18. Verify that the tires will not hit the support frame when fully turned and that the axle will not hit the support frame when fully suspended and oscillated.
 19. After the first 8 hours of use, re-torque all bolts.
 20. Check all fasteners regularly to ensure proper operation of equipment.

THE INFORMATION CONTAINED IN THIS DRAWING IS THE SOLE PROPERTY OF GROUSER PRODUCTS INC ANY REPRODUCTION IN PART OR WHOLE WITHOUT THE WRITTEN PERMISSION OF GROUSER PRODUCTS INC IS PROHIBITED.



2,9,6,12

8



Use Item #3 for Tier 4i and Item #4 for Tier 4 Final

Item No.	Qty.	Part No.	Description
1	2	16-20217	3/4" x 1-3/4" Hex Bolt Gr 5 NC
2	2	16-20220	3/4" x 2-1/2" Hex Bolt Gr 5 NC
3	2	16-20562	1" x 3" Hex Bolt Gr 5 NC
4	2	16-17271	1" x 6" Hex Bolt Gr 8 NC
5	1	18-40473	Fendt 700 (Tier 4) Push Bracket
6	2	19-13515	3/4" ID - Non Rotating Pin Spacer Bushing
7	2	43-16895	Fendt 700 Pin
8	1	54-16885	Fendt 700 (Tier 4) Undercarriage
9	6	57-20747	3/4" Flat Washer
10	2	70-20587	3/4" Hex Nut
11	2	70-20589	1" Hex Nut
12	6	70-20607	3/4" Hex Center Lock Nut



GROUSER PRODUCTS INC.

755 2nd Ave NW Phone 701.282.7710
 West Fargo, ND 58078 Fax 701.282.8131
 WWW.GROUSER.COM

TITLE: Fendt 700 (Tier 4i) UC

Date: 2/22/2018

DWG. NO.: 40914-A

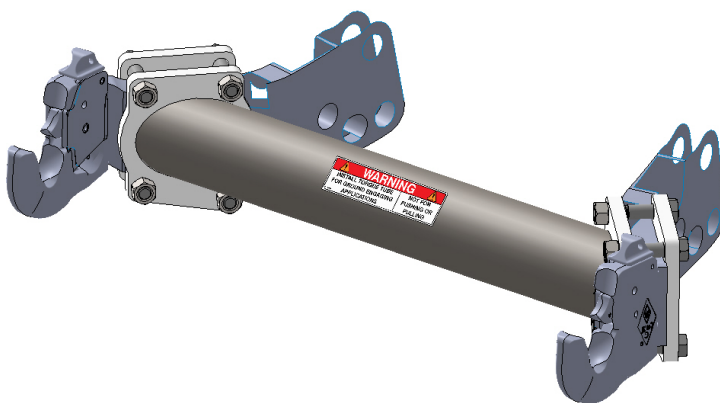


Torque Arm - Front Hitch

Installation Instructions

Caution:

- Always use precaution when working around any equipment.
- Always wear safety glasses.
- Follow tractor manufacturer's safety guidelines when installing this product.
- Read all instructions prior to installation.
 1. Position the torque arm between the front hitch arms. The longest edge of the plate should be closest to the tractor and the angled edge on the bottom. See the photo below for correct orientation.
 2. Support the torque arm and install a bolting plate with 4 - 3/4" x 3-3/4" bolts and 4 - 3/4" nuts on each side.
 3. Once the bolts are all installed, push the torque arm evenly towards the tractor. Keep the torque arm parallel to the front of the tractor.
 4. Torque the 3/4" bolts to 100 ft-lbs.
 5. After first 8 hours of use, re-torque all bolts.
 6. Check all fasteners regularly to ensure proper operation of equipment.

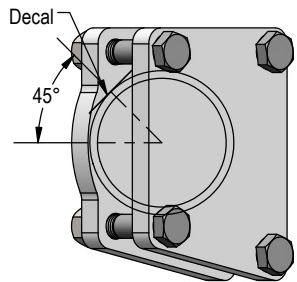
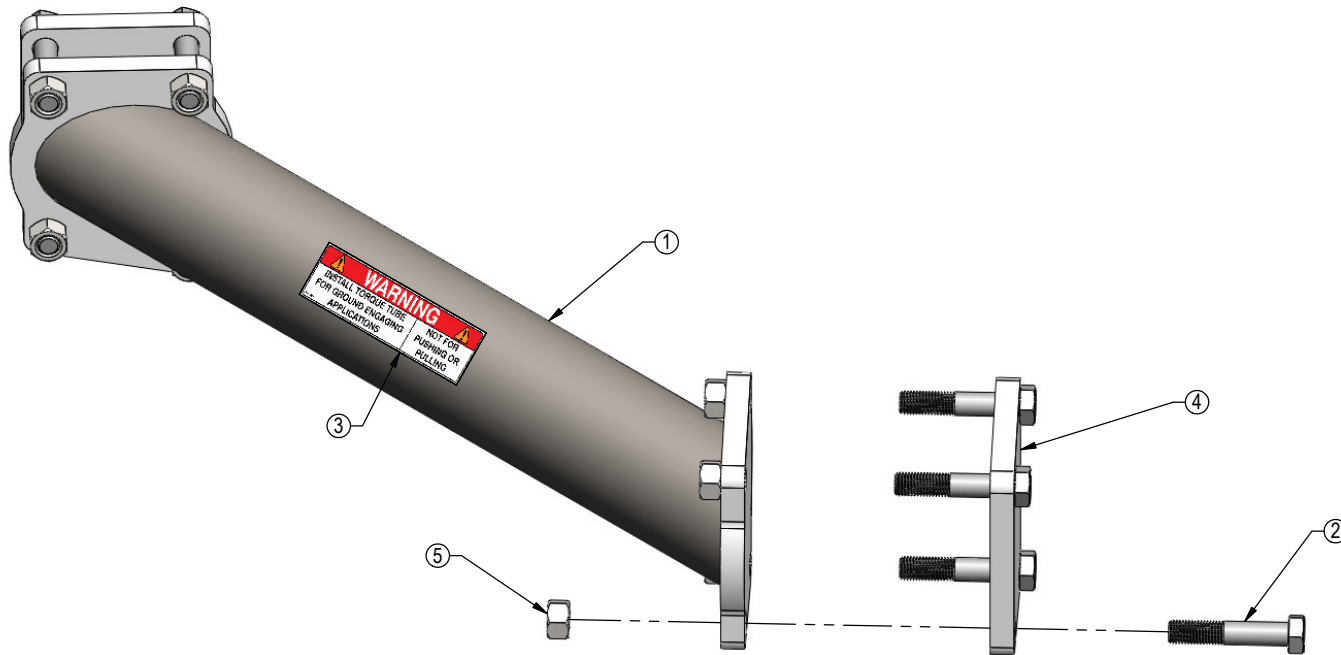


Note: The style of front hitch arms may vary slightly.



THE INFORMATION CONTAINED IN THIS DRAWING IS THE SOLE PROPERTY OF GROUSER PRODUCTS INC ANY REPRODUCTION IN PART OR WHOLE WITHOUT THE WRITTEN PERMISSION OF GROUSER PRODUCTS INC IS PROHIBITED.

ITEM NO.	QTY.	PART NO.	DESCRIPTION
1	1	11-19704R1	Torque Arm
2	8	16-20225	3/4" x 3-3/4" Gr.5 Hex Bolt
3	1	27-40405	Warning Decal - Torque Arm
4	2	44-19701R1	Plate
5	8	70-20607	3/4" Center Lock Hex Nut NC



Placement of Warning Decal



GROUSER PRODUCTS INC.

755 2nd Ave NW Phone 701.282.7710
West Fargo, ND 58078 Fax 701.282.8131
WWW.GROUSER.COM

TITLE: Torque Arm for Front Hitches

Date: 3-1-2017

DWG. NO.: 19704-A