

Fendt 900 Gen6 without OEM Hitch

GROUSER

AG240xr

Grouser has developed a couple of blade options for the new Fendt 900 Gen6 tractors that do not have the OEM front hitch option. For tractors that have front singles we offer our new AG240xr dozer that will allow full blade angle with full steering angle. The new AG240xr has been designed to provide more lift range and digging depth. For tractors that have front duals we will offer a quick hitch adapter that will extend the blade further away from the front axle allowing you to have full blade angle at full steering angle. If you would like to keep the blade closer to the tractor with duals you have the option of limiting the steering angle.

AG240xr blade for Fendt 900 Gen6 tractors equipped with front singles

FEATURES

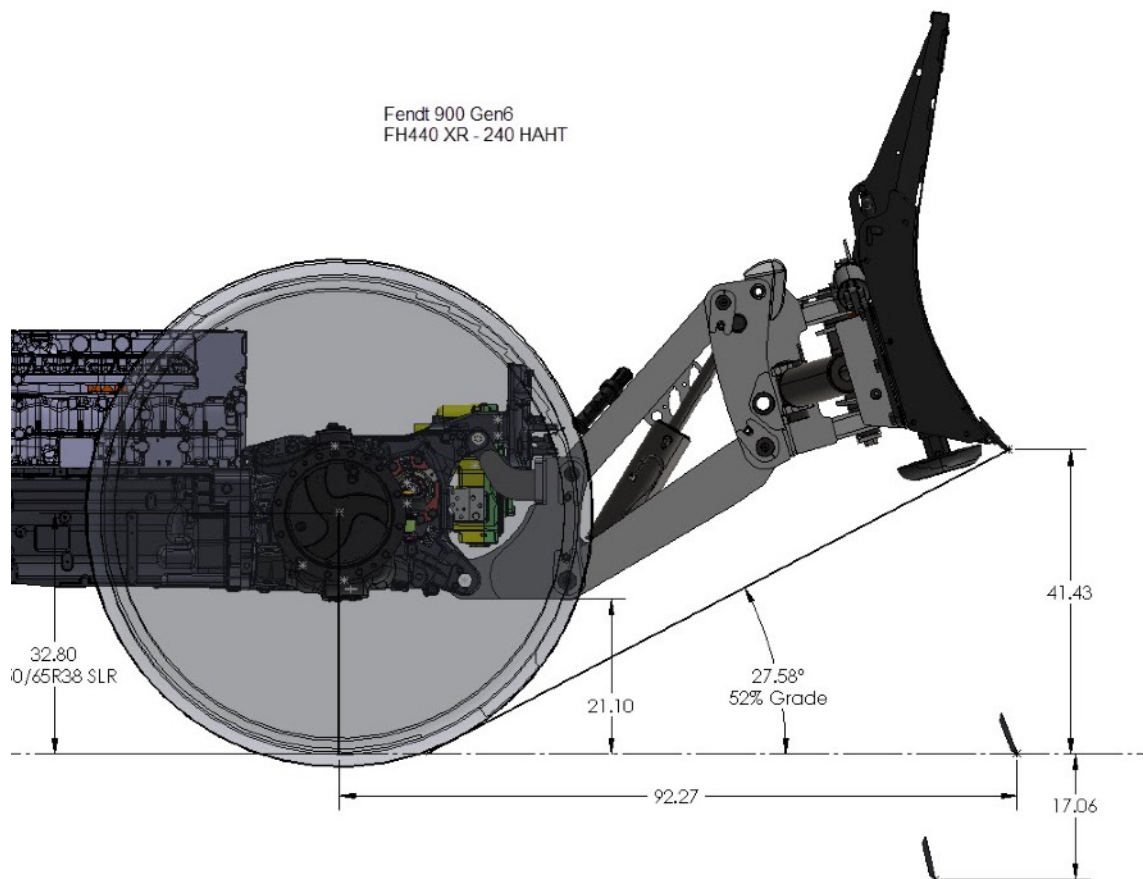
-60" Blade Height

-Full 30° Blade Angle Capability

-Cutting Edge 92.2" from Front Axle

-41.43" Lift Height

-17.00" Digging Depth



AG240xr blade for Fendt 900 Gen6 tractors equipped with front duals

FEATURES

-60" Blade Height

-Full 30° Blade Angle Capability

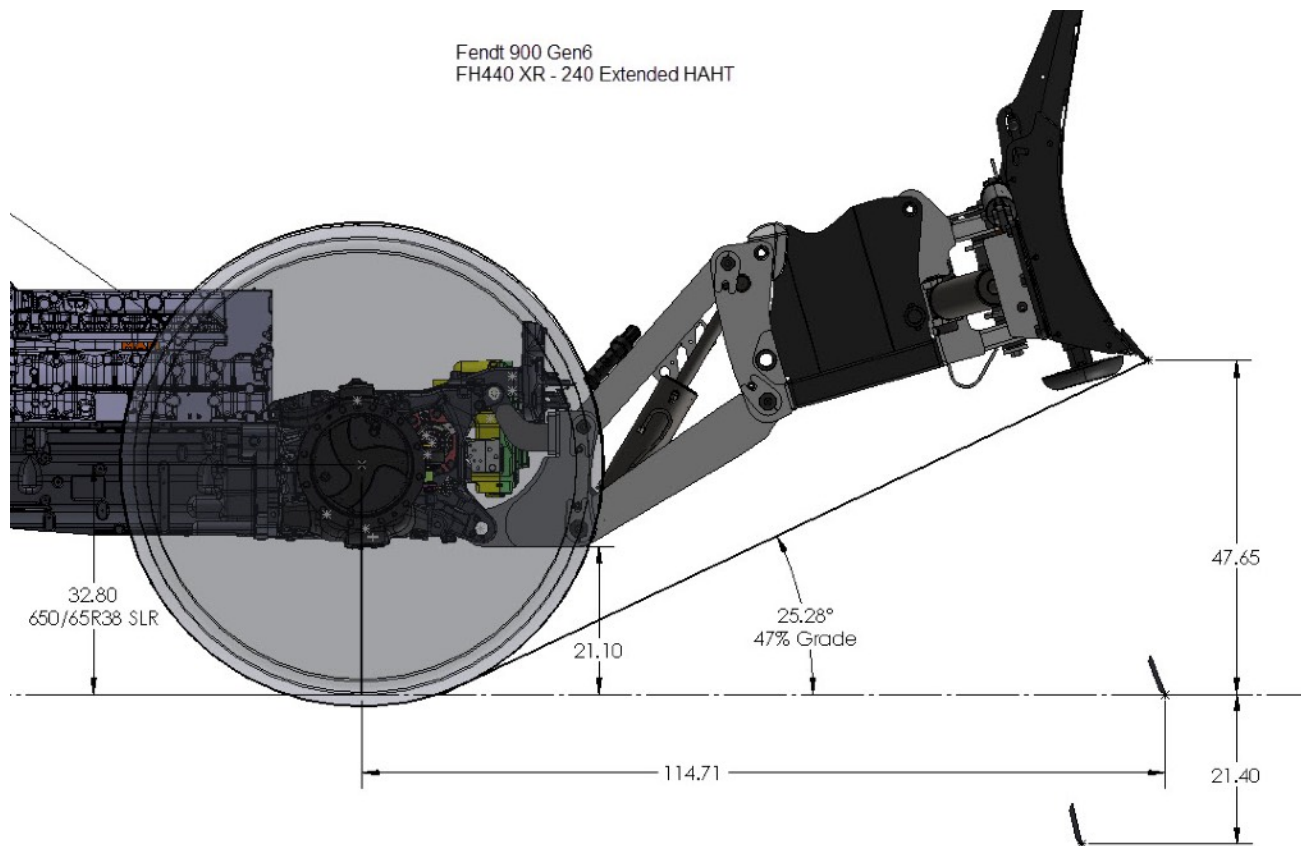
-Cutting Edge is 114.7" from Front Axle

-47.6" Lift Height

-21.4" Digging Depth

-650/65R38 Duals @ Maximum Steering Angle

-Extension needed to extend blade further out for proper tire to blade clearance with duals



Grouser Products Inc.
755 2nd Ave NW
West Fargo, ND 58078

800.747.6182
info@grouser.com

grouser.com