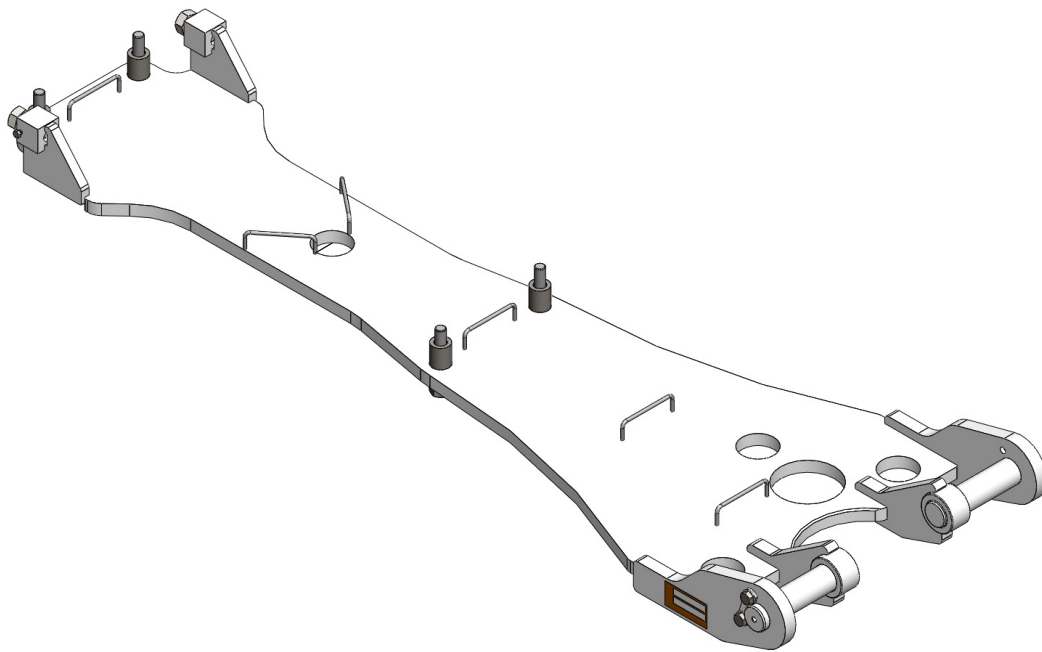




FENDT 1000 VARIO

Three Point Linkage Reinforcement Installation Instructions



For Models:

Fendt 1000 Vario: 1038, 1042, 1046, 1050

Purchase Date
Serial Number
Model Number
Tractor Model
Dealer

To The Owner

This manual contains information concerning the installation of the front support. You have purchased dependable, long lasting equipment, but only by proper care and operation can you expect to receive the performance and long service built into our products. Please have all operators read this manual carefully and keep the manual available for ready reference. If you have any questions or concerns, contact Grouser Products.

Front Support Installation

Caution:

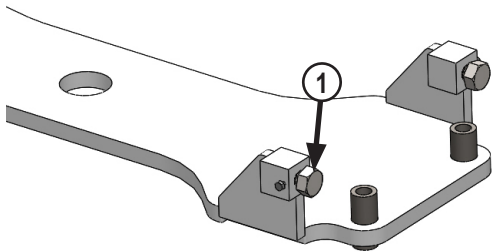
- Always use precaution when working around any equipment.
- Always wear safety glasses.
- Follow tractor manufacturer's safety guidelines when installing this product.
- Use paint where necessary to prevent rust.
- Do not modify or permit anyone else to modify or alter the equipment and its components without first consulting Grouser Products
- Read all instructions prior to performing installation.

NOTE: When installing hardware, only finger tighten until all hardware is in place.

NOTE: A full diagram of the assembly with the full list of parts is on Page 3.

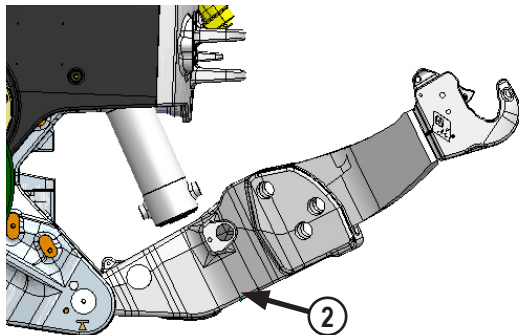
NOTE: Tractor frame not shown in some diagrams for clarity.

NOTE: Unstrap and remove any components that are attached for shipping.



1. Install 2 - 1" x 2" bolts in the threaded blocks at the rear of the support (1). Turn the bolts all the way in for installation. The bolts will be adjusted in Step #9.

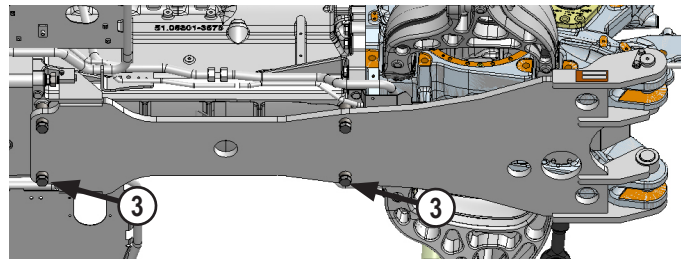
2. Position the front support under the tractor with the front ears towards the front of the tractor and center with the frame of the tractor.



3. Support the front lifting arms (2) and remove retaining hardware and the pins that attach the lift arms to the tractor.

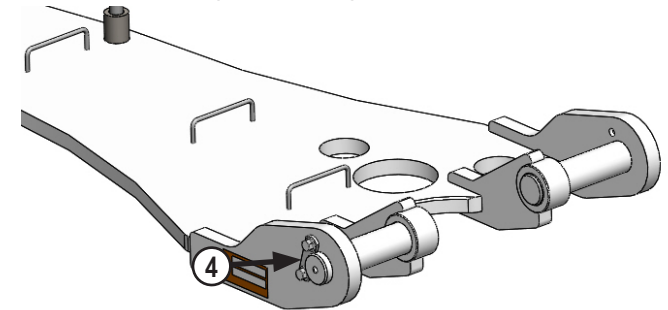
NOTE: The OEM hardware and pins will be needed if the front support is ever removed.

NOTE: The threaded hole at the end of the pin is for installing a bolt to aid in pulling out the pin.



4. Raise the front support until the support lines up with the ears on the tractor frame and the front lifting arms.

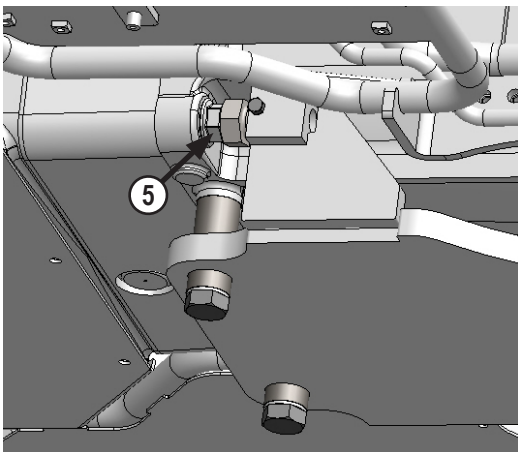
5. Install 4 - 20mm x 120mm bolts with 4 - 0.81" ID washers through the vertical standoffs and into the bottom of the engine casting (3).



6. Install the new pins and secure with 4 - 14mm x 25mm bolts, 4 - 14mm flat washers, and 2 - pin retainer plates (4).

7. Torque the vertical 20mm bolts to 432 ft-lbs.

8. Torque the 14mm retaining bolts for the ear pins at the front of the support to 103 ft-lbs.

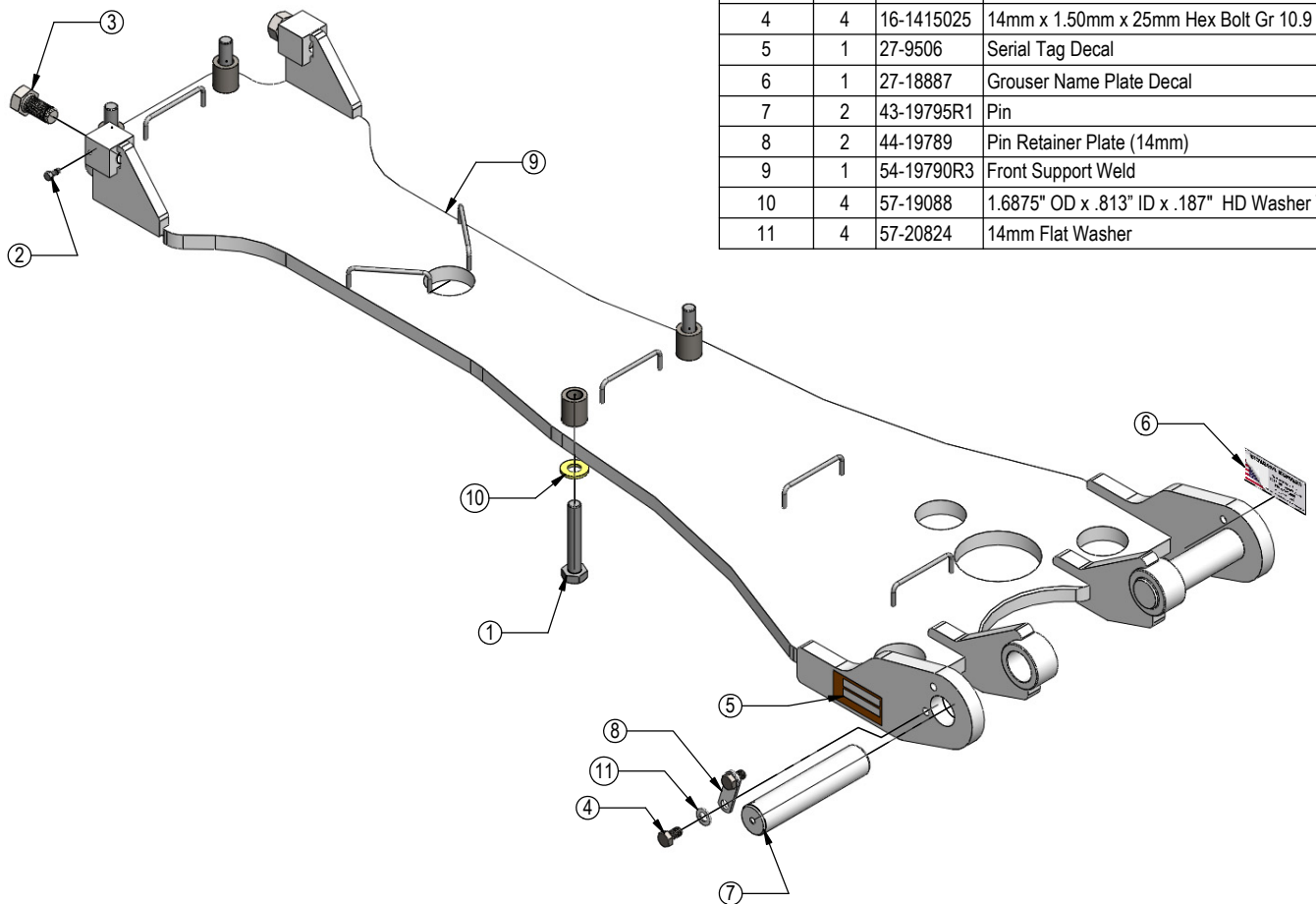


9. Evenly unscrew the 1" bolts at the rear of the front support until they are tight against the engine casting bolt heads (5). Torque the 1" bolts to 90-95 ft-lbs.

10. Install 2 - 5/16" x 3/4" bolts into the blocks at the rear of the front support to lock the 1" x 2" bolts. Torque the 5/16" bolts to 19 ft-lbs.

11. Check the steering clearance at the front support ears. The minimum clearance between the front support pin and the tire should be about 1". If necessary, purchase steering stops from your local dealership.

ITEM NO.	QTY.	PART NO.	DESCRIPTION
1	4	16-2489	20mm x 2.5mm x 120mm Hex Bolt Gr 10.9
2	2	16-20032	5/16" x 3/4" Hex Bolt Gr 5 NC
3	2	16-20558	1" x 2" Hex Bolt Gr. 8 NC
4	4	16-1415025	14mm x 1.50mm x 25mm Hex Bolt Gr 10.9
5	1	27-9506	Serial Tag Decal
6	1	27-18887	Grouser Name Plate Decal
7	2	43-19795R1	Pin
8	2	44-19789	Pin Retainer Plate (14mm)
9	1	54-19790R3	Front Support Weld
10	4	57-19088	1.6875" OD x .813" ID x .187" HD Washer YZ
11	4	57-20824	14mm Flat Washer



Maintenance

1. After first 8 hours of use, re-torque all bolts. Check to make sure the 1" bolts at the back of the front support are tight against the bolt heads as shown in Step #9.
2. Check all fasteners regularly to ensure proper operation of equipment.
3. Inspect all equipment for existing or potential damages every 10 hours or less.

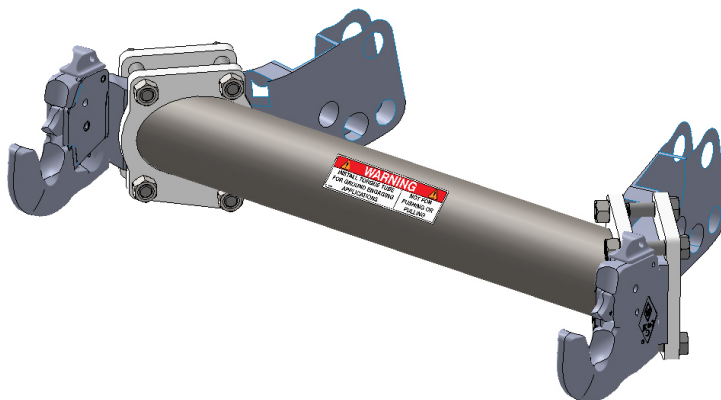


Torque Arm - Front Hitch

Installation Instructions

Caution:

- Always use precaution when working around any equipment.
- Always wear safety glasses.
- Follow tractor manufacturer's safety guidelines when installing this product.
- Read all instructions prior to installation.
 1. Set the front hitch arms to the fixed position. The front hitch arms cannot be in float with the torque arm installed.
 2. Position the torque arm between the front hitch arms. The longest edge of the plate should be closest to the tractor and the angled edge on the bottom. See the photo below for correct orientation.
 3. Support the torque arm and install a bolting plate with 4 - 3/4" x 3-3/4" bolts and 4 - 3/4" nuts on each side.
 4. Once the bolts are all installed, push the torque arm evenly towards the tractor. Keep the torque arm parallel to the front of the tractor.
 5. Torque the 3/4" bolts to 100 ft-lbs.
 6. After first 8 hours of use, re-torque all bolts.
 7. Check all fasteners regularly to ensure proper operation of equipment.

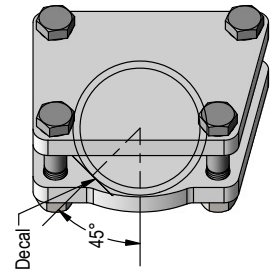
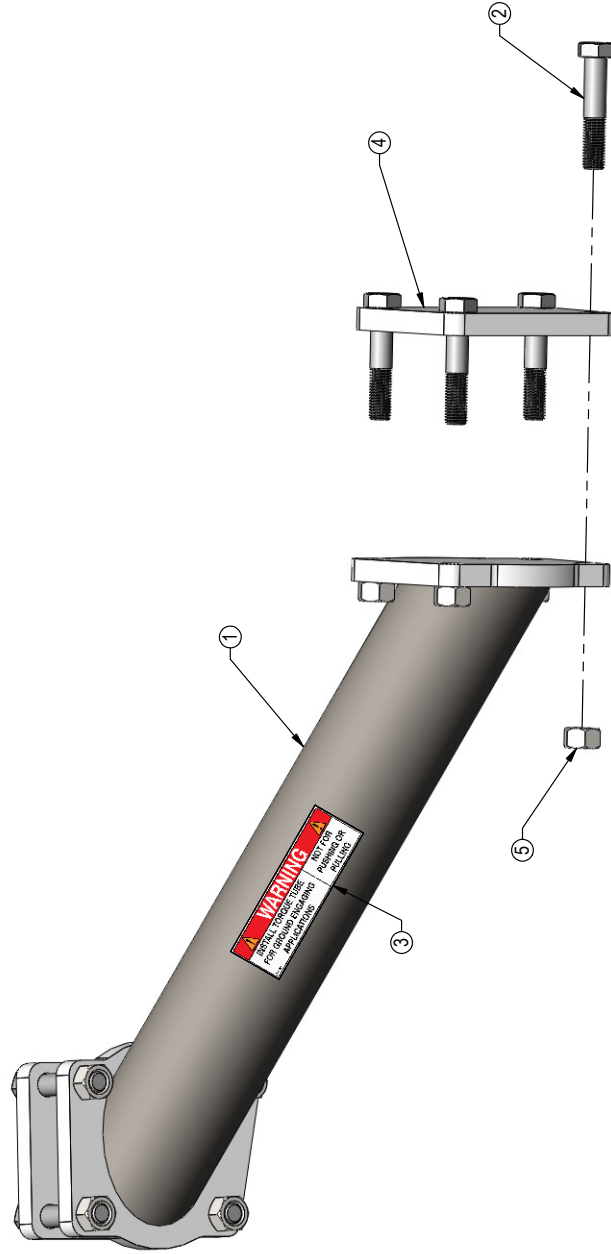


Note: The style of front hitch arms may vary slightly.



THE INFORMATION CONTAINED IN THIS DRAWING IS THE SOLE PROPERTY OF GROUSER PRODUCTS INC. ANY REPRODUCTION IN PART OR WHOLE WITHOUT THE WRITTEN PERMISSION OF GROUSER PRODUCTS INC. IS PROHIBITED.

ITEM NO.	QTY.	PART NO.	DESCRIPTION
1	1	11-19704R1	Torque Arm
2	8	16-20225	3/4" x 3-3/4" Gr.5 Hex Bolt
3	1	27-40405	Warning Decal - Torque Arm
4	2	44-19701R1	Plate
5	8	70-20607	3/4" Center Lock Hex Nut NC



Placement of Warning Decal



GROUSER PRODUCTS INC.

755 2nd Ave NW Phone 701.282.7710
 West Fargo, ND 58078 Fax 701.282.8131
 WWW.GROUSER.COM

TITLE: Torque Arm for Front Hitches

Date: 3-1-2017

DWG. NO.: 19704-A

Improvements

Grouser Products Inc. is continually striving to improve its products. We reserve the right to change prices, specification, or equipment at any time without notice. We also reserve the right to make improvements or changes when it becomes practical and possible to do so without incurring any obligation to make changes or additions to the equipment sold previously.

Warranty

Grouser Products warrants to the original purchaser of each item that the product be free from defects in material and workmanship under normal use and service for a period of **two (2) years for Agriculture Series Blades and one (1) year for Heavy Duty Series from date of original retail delivery.**

The obligation of the consumer under this warranty:

1. To read the operators manual and to operate, lubricate, maintain and store equipment in accordance with the instructions listed in the operators manual.
2. To inspect equipment and if any part needs repair or replacement when continued use would cause damage or wear to other parts or safety.
3. All equipment or parts claimed to be defective in material or workmanship must be made available for inspection at the place of business of a dealer authorized to handle the equipment covered by this warranty, or, upon request by Grouser Products, shipped to the Grouser Products factory in West Fargo, North Dakota.

The obligation of the dealer under this warranty:

1. Complete warranty registration form and submit within 30 days of sale.
2. Contact Grouser Products for authorization prior to performing any warranty repairs or part replacement.
3. Complete warranty request form and submit with photos and supporting documentation.

The obligation of Grouser Products under this warranty:

1. Repair or replace, any equipment or parts, in the judgment of Grouser Products to be defective in material or workmanship.
2. Grouser Products will cover the cost of parts and ground shipping at dealer invoice only.
3. Grouser Products shall have no obligation to bear the cost of labor or transportation in connection with replacement or repair of any such defective parts.

This warranty does not cover:

1. Depreciation or damage caused by normal wear, accident, improper assembly, improper adjustments.
2. Improper maintenance including lack of proper lubrication, or improper use. Including loose bolts, nuts, or fitting due to over tightening or vibration after 20 hours of operation.
3. Repairs or alterations without authorization from a Grouser Products representative.
4. Grouser Products shall have no liability if the equipment has been altered or reworked without the written authorization of Grouser Products.

Grouser Products' parts, which are furnished under this warranty and properly installed, shall be warranted to the same extent as the original parts under this warranty if, and only if, such parts are found to be defective within the original warranty period covering the original equipment.

NO EMPLOYEE OR REPRESENTATIVE OF GROUSER PRODUCTS IS AUTHORIZED TO CHANGE THE WARRANTY IN ANY WAY OR GRANT ANY OTHER WARRANTY.

Contact Us

As always, if you have any questions about your system or other products made by Grouser, feel free to contact us.



755 2nd Ave NW - West Fargo, ND 58078
+1 701-282-7710 | info@grouser.com
www.grouser.com