



Versatile

Undercarriage Installation Instructions

For Models:

T4i: 260, 290, 310

T4f: 265, 275, 295, 315, 335, 365

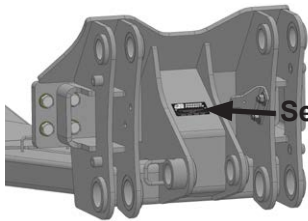
Purchase Date
Serial Number
Model Number
Tractor Model
Dealer

To The Owner

This manual contains information concerning the installation of the undercarriage. You have purchased dependable, long lasting equipment, but only by proper care and operation can you expect to receive the performance and long service built into our products. Please have all operators read this manual carefully and keep the manual available for ready reference. If you have any questions or concerns, contact Grouser Products.

Caution:

- Always use caution when working around any equipment.
- Always wear safety glasses.
- Follow tractor manufacturer's safety guidelines when installing this product.
- Use paint where necessary to prevent rust.
- Do not modify or permit anyone else to modify or alter the equipment and its components without first consulting Grouser Products.



Note:

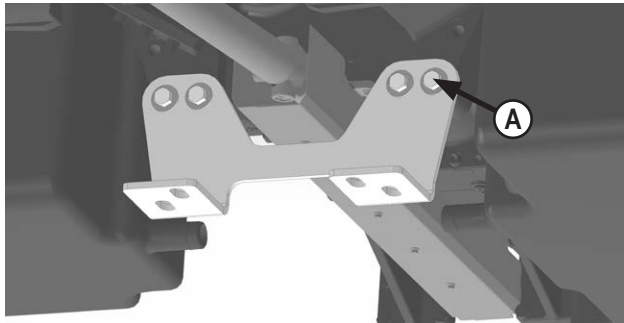
- When installing hardware, only finger tighten until all hardware is in place.
- A full diagram of the assembly with the full list of parts is on pages 4-5.
- Unstrap and remove any components that are attached for shipping.
- Read all instructions prior to performing installation.
- Tractor frame not shown in some diagrams for clarity.



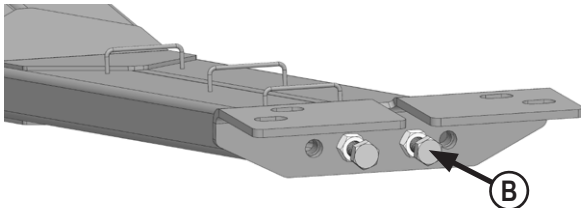
To ensure the safety of those working under and around the machine, apply parking brake, remove key from ignition, and block tires before working on the machine.

Installation

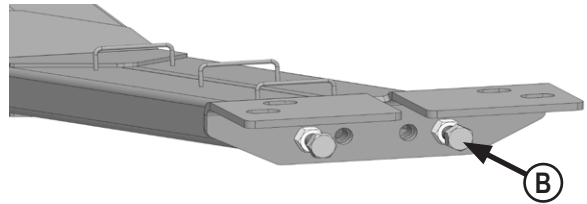
1. Remove weights and weight bracket from front of tractor if necessary.



2. Remove bottom 4 bolts from front of transmission.
3. Attach rear plate to front of transmission where bolts were removed in Step #2 with 4 - 20mm x 90mm bolts and 4 - 3/4" flat washers (A).



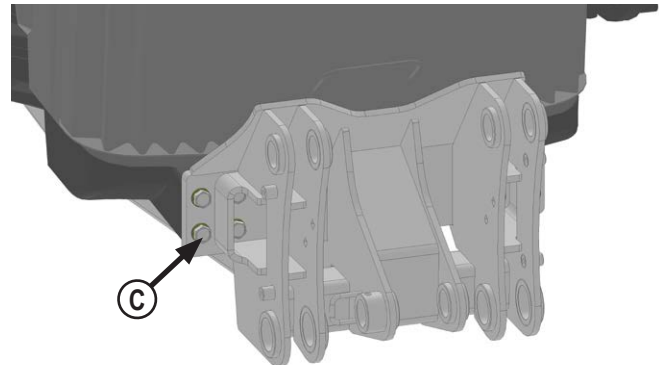
- 4A. For 128.95" wheelbase, install 2 - 1" x 6" bolts and 2 - 1" nuts in the two inside holes on rear of undercarriage (B). Turn bolts in for installation. The bolts will be adjusted in a later step.



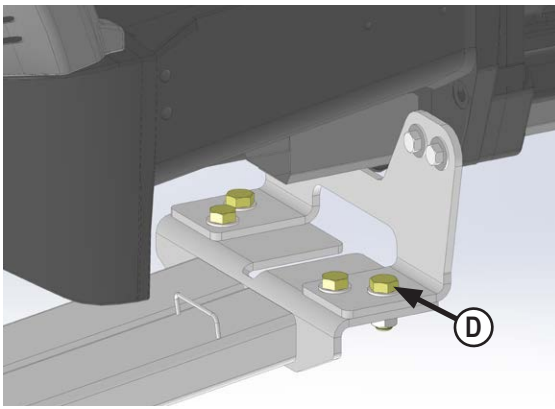
- 4B. For 124.60" wheelbase, install 2 - 1" x 6" bolts and 2 - 1" nuts in the two outside holes on rear of undercarriage (B). Turn bolts in for installation. The bolts will be adjusted in a later step.

5. Position the undercarriage under tractor and center on the frame of tractor.

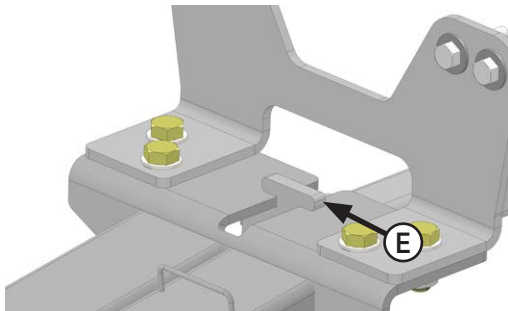
NOTE: When lifting undercarriage, watch for any potential pinching of hoses or any other components to prevent damage.



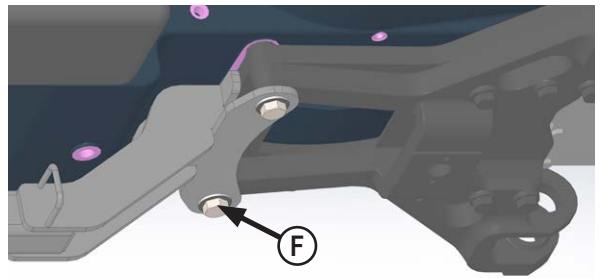
6. Raise undercarriage and attach the front of undercarriage to tractor with 8 - 20mm x 70mm bolts and 8 - 3/4" flat hardened washers (C).



7. Attach rear of undercarriage to rear plate with 4 - 1" x 2-1/2" bolts, 8 - 1" flat washers and 4 - 1" nuts (D).
8. Remove the 2 front drawbar mount bolts.
9. Position push pole under tractor.



10. Slide front of push pole between open at end of undercarriage and top part of push pole plate will rest on top of undercarriage (E).



11. Lift rear of push pole and attach to drawbar mount with 2 - 20mm x 120mm bolts and 2 - 3/4" flat washers (F).
12. Torque front 20mm bolts (C) to 432 ft-lbs.
13. Torque 20mm bolts in front of transmission (A) to 432 ft-lbs.
14. Torque 1" bolts attaching rear plate to rear of undercarriage (D) to 903 ft-lbs.

NOTE: Verify push pole is pushing against drawbar mount.

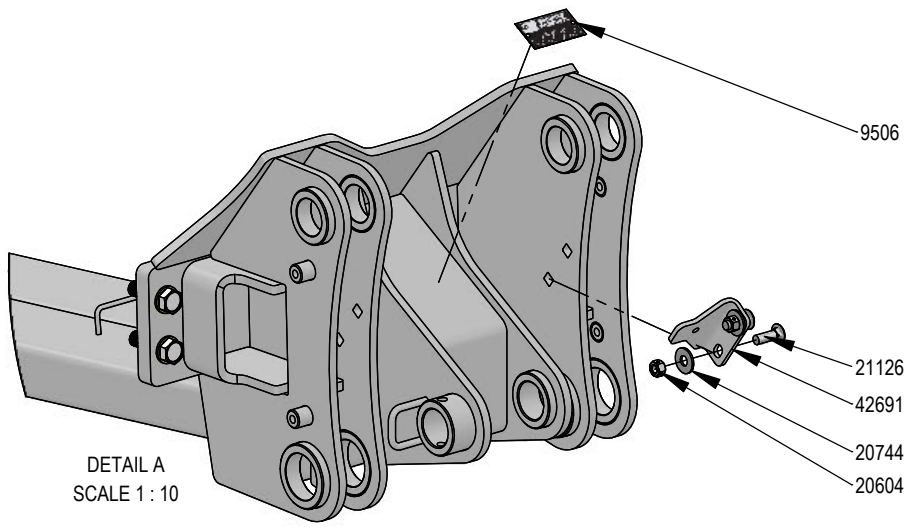
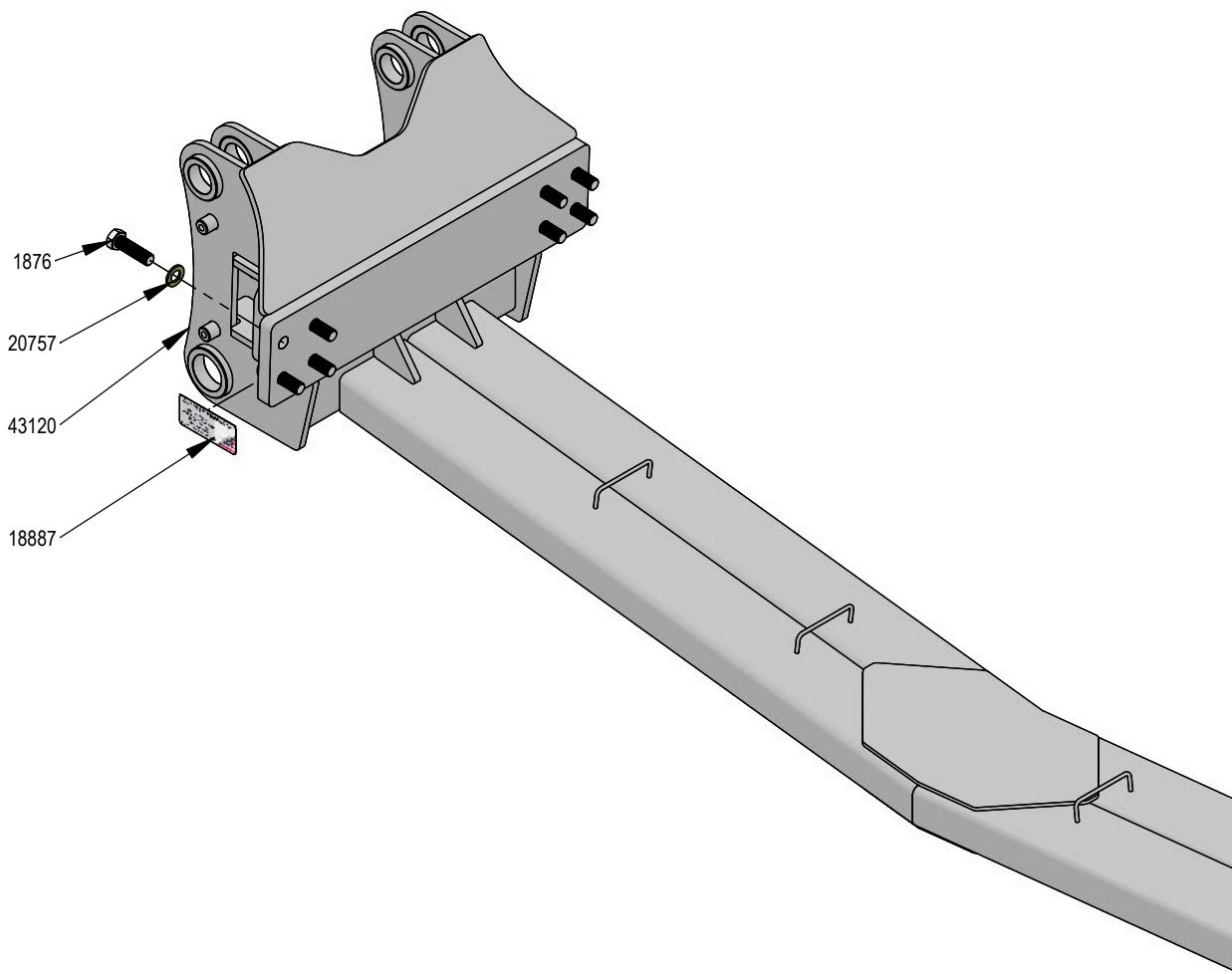
15. Torque the rear 20mm bolts (F) to 432 ft-lbs.
16. Unscrew the 2 - 1" bolts at rear of undercarriage until tight against push pole. Torque the 1" bolts (B) to 90-95 ft-lbs.
17. Tighten the nuts tight against undercarriage. Use nuts to lock bolts in place.
18. Route hoses through the hose loops on undercarriage and push pole to back of tractor.
19. Protect hoses around sharp corners and moving objects. Use zip ties to secure the hoses in place.
20. Plug hoses into open SCV's at rear of tractor.

Assembling Lift Components

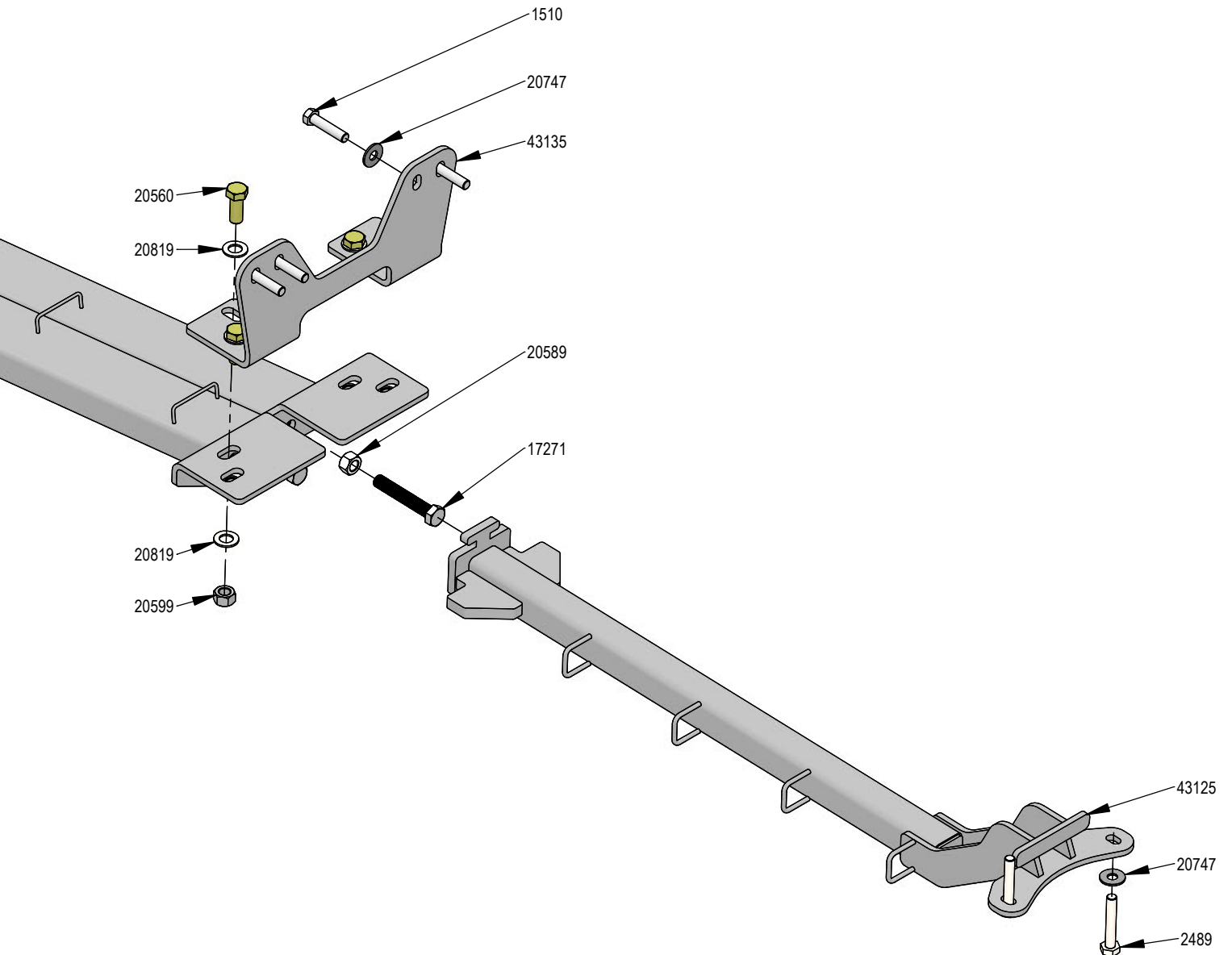
1. Refer to the Blade Owner's Manual & Parts Book for instructions on how to assemble the lift components.

Maintenance

1. After first 8 hours of use, re-torque all bolts. Check to make sure 1" bolts at back of undercarriage are tight against push pole.
2. Check all fasteners regularly to ensure proper operation of equipment.
3. Inspect all equipment for existing or potential damages every 10 hours or less.



PART NO.	QTY	DESCRIPTION
1510	4	20mm x 2.5mm x 90mm Hex Bolt Gr 10.9
17271	2	1" X 6" Hex Bolt Gr 8 NC (Full Thread)
1876	8	20mm x 2.5mm x 70mm Hex Bolt Gr 10.9
18887	1	Grouser Name Plate Decal
20560	4	1" X 2-1/2" Hex Bolt Gr 8 NC YZ
20589	2	1" Hex Nut Gr 5 NC CZ
20599	4	1" Hex Nut Gr 8 NC CZ
20604	2	1/2" Hex Center Lock Nut Gr 5 NC CZ
20744	2	1/2" Flat Washer CZ
20747	6	3/4" Flat Washer CZ
20757	8	3/4" SAE Hardened Flat Washer - 1-1/2" OD
20819	8	1" Flat Washer Heavy Duty Gr 8 (USS) YZ
21126	2	1/2" x 1-1/2" Carriage Bolt Gr 5 NC CZ
2489	2	20mm x 2.5mm x 120mm Hex Bolt Gr 10.9
42691	1	Hose Bracket
43120	1	Versatile Undercarriage Weld, FH-440
43125	1	Push Pole Weld
43135	1	FH-440 Versatile MFWD T4i & T4f Rear Plate
9506	1	Grouser Dozer Metal Serial Tag



DWG. NO.: 43130-A

Notes

Notes

Improvements

Grouser Products Inc. is continually striving to improve its products. We reserve the right to change prices, specification, or equipment at any time without notice. We also reserve the right to make improvements or changes when it becomes practical and possible to do so without incurring any obligation to make changes or additions to the equipment sold previously.

Warranty

Grouser Products warrants to the original purchaser of each item that the product be free from defects in material and workmanship under normal use and service for a period of **two (2) years for Agriculture Series Blades and one (1) year for Heavy Duty Series from date of original retail delivery.**

The obligation of the consumer under this warranty:

1. To read the operators manual and to operate, lubricate, maintain and store equipment in accordance with the instructions listed in the operators manual.
2. To inspect equipment and if any part needs repair or replacement when continued use would cause damage or wear to other parts or safety.
3. All equipment or parts claimed to be defective in material or workmanship must be made available for inspection at the place of business of a dealer authorized to handle the equipment covered by this warranty, or, upon request by Grouser Products, shipped to the Grouser Products factory in West Fargo, North Dakota.

The obligation of the dealer under this warranty:

1. Complete warranty registration form and submit within 30 days of sale.
2. Contact Grouser Products for authorization prior to performing any warranty repairs or part replacement.
3. Complete warranty request form and submit with photos and supporting documentation.

The obligation of Grouser Products under this warranty:

1. Repair or replace, any equipment or parts, in the judgment of Grouser Products to be defective in material or workmanship.
2. Grouser Products will cover the cost of parts and ground shipping at dealer invoice only.
3. Grouser Products shall have no obligation to bear the cost of labor or transportation in connection with replacement or repair of any such defective parts.

This warranty does not cover:

1. Depreciation or damage caused by normal wear, accident, improper assembly, improper adjustments.
2. Improper maintenance including lack of proper lubrication, or improper use. Including loose bolts, nuts, or fitting due to over tightening or vibration after 20 hours of operation.
3. Repairs or alterations without authorization from a Grouser Products representative.
4. Grouser Products shall have no liability if the equipment has been altered or reworked without the written authorization of Grouser Products.

Grouser Products' parts, which are furnished under this warranty and properly installed, shall be warranted to the same extent as the original parts under this warranty if, and only if, such parts are found to be defective within the original warranty period covering the original equipment.

NO EMPLOYEE OR REPRESENTATIVE OF GROUSER PRODUCTS IS AUTHORIZED TO CHANGE THE WARRANTY IN ANY WAY OR GRANT ANY OTHER WARRANTY.

Contact Us

As always, if you have any questions about your system or other products made by Grouser, feel free to contact us.



755 2nd Ave NW - West Fargo, ND 58078
+1 701-282-7710 | info@grouser.com
www.grouser.com